

ORDER OUR TOOLING ONLINE!

PRESS BRAKE PRODUCTIVITY CATALOG





INTRODUCTION

The world is ever changing and social trends cannot be seen separately from industrial and commercial trends. Everything is interrelated and that means you must continue to invest and develop in order to keep pace with the latest changes. WILA realizes how important this is and is doing everything necessary to remain at the forefront.

Demand for sustainable solutions with a high level of flexibility continues to increase. And the underlying trend responsible for this - i.e. increasing complexity and decreasing series size, due to ever increasing demand for "customization" and the need to reduce waste - is a major driver for us. Sustainable investment in optimizing the production processes of our customers has become our key business. This applies externally, by offering high quality solutions to our customers, as well as internally, by further optimizing our in-house processes. Once again, everything is interrelated.

WILA offers solutions which must withstand the following questions before they are launched on to the market: does the solution help to further improve customer productivity?; does it allow customers to speed up their production activities?; to produce in a more flexible manner?; to produce in a safer and more reliable manner?; or to produce with greater accuracy so the number of rejects is minimized? All of these factors can result in lower operating costs and higher production efficiency. We want to excel in these specific areas and continue to offer added benefits to our customers.

The only way to achieve this is to subject our in-house processes to the same questions. WILA invests heavily in further optimizing our business activities and production processes, so that we can continue to improve and remain a reliable partner for our customers.

Hans Willemsen
Managing Director.

This catalog features a comprehensive overview of new innovations as well as well-known solutions, and has been compiled in an intuitive and informative manner so it can later be used for reference purposes. We would also like to remind you that this information is also available on our website (www.wilausa.com) and in our web shop as of 2016, where you will find our latest news and offerings.

Finally, WILA possesses a team of qualified application engineers and developers who can work with you to design solutions for your specific and special needs. We challenge you to put us to the test!

We would like to thank you for your interest and hope the catalog will enable you to identify new and appealing possibilities to enhance your productivity.



WILA PRESS BRAKE TOOLING SYSTEMS

When productivity is a priority

Modern bending technology is all about productivity. And this priority can only be met with appropriate press brake tools; durable and high quality tools that have been developed to guarantee the productivity you require. For over 80 years, WILA's solutions have been inspired by our mission: Press Brake Productivity.

PRODUCT GROUPS

WILA develops and manufactures tooling systems for press brakes. No two applications are the same and each situation is different. WILA is able to meet all needs via three separate product ranges - New Standard Premium, New Standard Pro and American Style. These lines of products reflect a level of quality that serves as the international standard in press brake tools.

NEW STANDARD PREMIUM

Press brake tools of the very highest quality, which are based on WILA's long standing expertise and experience. They have been developed with great care in order to comply with extreme tolerances and the most complex requirements under all conditions. New Standard Premium is appreciated for its uncompromising performance and quality in sheet metal processing industries throughout the world.

NEW STANDARD PRO

The leading standard for bending applications with less extreme requirements, but where top quality and productivity are essential. New Standard Pro is a comprehensive WILA product line and has been developed for tools with a limited working height. An intelligent combination between clamping system and tooling helps to guarantee perfect and consistent bending results.

AMERICAN STYLE

The WILA product range designed especially for the North American market. American Style press brake tools and accessories have been carefully adapted by WILA to suit the American approach to sheet-metal bending. This range of products is ideal for all press brakes with an American Style upper beam configuration. Of course, WILA's American Style product range is also characterized by very high quality standards.



WILA'S VALUES

Speed, accuracy and safety are core values in all WILA bending technology. Award-winning innovations make the tool changing process faster, safer and extremely accurate. The performance offered by New Standard and American Style tools is of lasting quality. The Universal Press Brake concept guarantees great flexibility, and thereby allows New Standard to realize its full potential throughout the world. Accuracy, durability, flexibility, speed and safety: WILA's five core values. Together, they help to create a solid foundation for all of our products.

ACCURACY

Perfectionism is an essential element of productivity. All WILA's New Standard and American Style tools and accessories have a modular structure and have been created with the highest level of precision. This guarantees you the exact tolerances you require. The combination of New Standard and American Style tools with New Standard Tool Holders (Clamping, Crowning and Bottom Tool Holders) offers the most refined configuration possibilities for permanently eliminating horizontal and vertical tolerances.

DURABILITY

All WILA products have a long life span. New Standard tools are CNC-Dee-phardened® (56-60 HRc) for all bending radii and are extremely wear resistant. Many New Standard Tool Holders systems (Clamping, Crowning and Bottom Tool Holders) are also CNC-Dee-phardened® (ca. 56 HRc) throughout the critical tool loading slot and are manufactured from high quality CR-MO steel to avoid load compression. This high level performance is guaranteed over a long life span, with wear and tear becoming a negligible concern.

FLEXIBILITY

It is important to create an effective balance between press brakes, tools and the operator if one wants to achieve a high level of productivity. And this productivity must be available to all users because WILA respects a customer's right to use different types and brands of machines. The Universal Press Brake concept makes it possible to use this high quality bending technology with every type of press brake. This means all press brakes can be suitable for New Standard, American Style as well as customized tools.

SPEED

Even the very best press brakes are less productive without efficient tool changes. WILA's award-winning technology makes it possible to change all top and bottom tools very quickly. Heavier tools can also be changed in no time at all. And this is done while respecting high standards of efficiency, ergonomics and safety.

SAFETY

Productivity is the result of cutting edge technology, but also involves human intervention. That is why WILA takes no risks when it comes to creating safe working environments. Constant and explicit attention to safety has helped to create groundbreaking innovations. For example, New Standard and American Style top tools feature the patented Safety-Click® system and all tools are segmented to allow easy one operator handling.

PRODUCT INDEX

INTRODUCTION	3
WILA PRESS BRAKE TOOLING SYSTEMS	4
WILA'S VALUES	5
TOOL HOLDERS	8
FACT SHEET	9-11
NEW STANDARD PREMIUM	12
NEW STANDARD PRO	18
AMERICAN STYLE	31
STANDARD UPB LENGTH	35
MAXIMUM TOOL WEIGHT	36
CUSTOM STYLE CROWNING	37
AMERICAN STYLE EXTENDERS	39
TOOLING	40
FACT SHEET	41-43
NEW STANDARD PREMIUM	44
NEW STANDARD PRO	71
AMERICAN STYLE	76
AMERICAN VINTAGE	90
CUSTOM STYLE	100
ADJUSTABLE BOTTOM TOOLS (MVM AND MULTI-V)	101
FLATTENING TOOLS	104
FLATTENING TOOLS (DD)	106
NEW STANDARD PREMIUM	107
AMERICAN STYLE	109
NEW STANDARD PRO	110
TOOL EXTENDERS/TOOLING	112
NEW STANDARD PRO	114
AMERICAN STYLE	120
CUSTOM STYLE	128
COMPONENTS	130
HYDRAULIC POWER PACKS	131
PRESS BRAKE PRODUCTIVITY CABINETS	132
PRESS BRAKE PRODUCTIVITY TOOLSTATION	134
GRIPPER	136
NON-MARKING ACCESSORIES	138
CLAMPING SYSTEMS	139
ALL SORTS OF INFORMATION	140
AIR BENDING TONNAGE CHART	140
TONNAGE CHART FOR FLATTENING	141
CNC-DEEPHARDENING® VERSUS NITRIDE	142
TERMS	143



NEW STANDARD TOOL HOLDERS

The perfect match with your tools

WILA's state-of-the-art Clamping and Crowning systems offer the ultimate solution when it comes to efficiently changing tools - whether hydraulic, mechanical or pneumatic. Several innovations, like the Safety-Click®, the Smart Tool Locator® and the EZM® changing system for (heavy) tools, have made the changeover process easier and safer. Accuracy and ergonomics have been coordinated to realize the highest level of productivity. WILA's Tool Holder program has been divided into several product ranges: New Standard Premium, New Standard Pro and American Style.

TOOL HOLDERS

CONVERSION:

1 mm = 0.039"
 1 meter = 3.28 ft.
 1 t/m = 0.336 t/ft. (US)
 1 kg = 2.205 lb.
 1 kg/m = 0.672 lbs/ft.

Accuracy

Working surface precision	+++	+++	+++	+++	+++	+++	++	++	++	++	++	++
Tx-alignment	●	●	●	●	●	●	●	●	●	●	●	●
Ty-alignment	-	-	●	○	○	○	○	●	○	○	○	○

Durability

High tensile CrMo steel alloy, ≥ 1000 N/mm ²	●	●	●	●	●	●	-	-	-	-	-	●
High quality tool steel, 600-720 N/mm ²	-	-	-	-	-	-	●	●	●	●	●	-
Pressure surface (CNC-Deephardened [®] to approx. 56°, HRC)	●	●	●	●	●	●	-	-	-	-	-	-
Max. load	Head load	200 ² /250 t/m	250 t/m	-	-	-	-	180 t/m	-	-	-	-
	Shoulder load	200 ² /300 t/m	800 t/m	300 t/m	800 t/m	200 ² /300 t/m	800 t/m	250 t/m	200 t/m	500 t/m	200 t/m	500 t/m

Flexibility

Easy reversibility of tooling because of symmetrical adaption	●	●	●	●	●	●	●	●	●	●	●	●	
Hydraulic Clamping (max. 50 bar oil pressure, power pack available ³⁾)	●	●	●	●	●	●	●	●	●	●	●	●	
Manual Clamping	○	-	○	-	○	-	○	○	○	○	○	○	
Pneumatic Clamping (≥ 7 bar) L = ≤ 4250mm	○	-	-	-	○	-	○	○	-	○	-	-	
Individual Clamping of each tool segment, as of	Hydr./Pneum. Clamping	10 mm	40 mm	10 mm	40 mm	10 mm	40 mm	15 mm	15 mm	40 mm	15 mm	40 mm	15 mm
	Man. Clamping	20 mm	-	20 mm	-	20 mm	-	20 mm	20 mm	40 mm	20 mm	40 mm	20 mm
Designed for use on new press brakes equipped with UPB hole pattern ¹⁾	●	●	●	●	●	●	●	●	●	●	●	●	
Available for press brakes not equipped with UPB hole pattern	-	-	-	-	○	-	○	○	-	○	-	○	
ATC possible (Gripper, TIPS [®])	○	-	○	-	○	-	-	-	-	-	-	-	
Smart Tool Locator [®]	○	○	○	○	-	○	○	○	○	○	○	○	
Vertical* + horizontal loading *Safety-Clicks [®] required with top tools	●	●	-	-	-	-	●	-	-	-	-	●	
Max tool weight (top tools: self seating)	Hydr. Clamping	300 kg/m	1000 kg/m					100 kg/m				75 kg/m	
	Man. Clamping	180 kg/m						180 kg/m					
	Pneum. Clamping	100 kg/m						70 kg/m					

Speed

Automatic clamping seating and aligning of the tooling	●	●	●	●	●	●	●	●	●	●	●	● ⁴⁾
Fast tool changing	●	●	●	●	●	●	●	●	●	●	●	●
Equipped for E2M [®]	●	●	●	●	●	●	●	●	●	●	●	-
Crowning adjustment (Standard on the right side)	CNC	-	-	● <2500 kg	○ <4000 kg	-	-	-	● <2500 kg	X < 4000 kg	-	-
	Hydr	-	-	● >2500 kg	○ >4000 kg	-	-	-	● >2500 kg	X >4000 kg	-	-
	H	-	-	● <1500 kg	-	-	-	-	● <1500 kg	-	-	-
	HF (L ≤ 4300 mm)	-	-	≈75-100 kg/m	-	-	-	-	≈75-100 kg/m	-	-	-

Safety

Equipped for use of Safety-Clicks [®] up to 12,5 kg	●	●	-	-	-	-	●	-	-	-	-	●
Equipped for use of Safety-Pins > 12,5 kg	●	●	-	-	-	-	●	-	-	-	-	●
Clamping equipped with V-Lock [®]	-	-	●	●	●	●	-	●	-	●	-	-
Pillars for supporting wide bottom tools	-	-	-	○	-	○	-	-	-	○	-	○

Guards

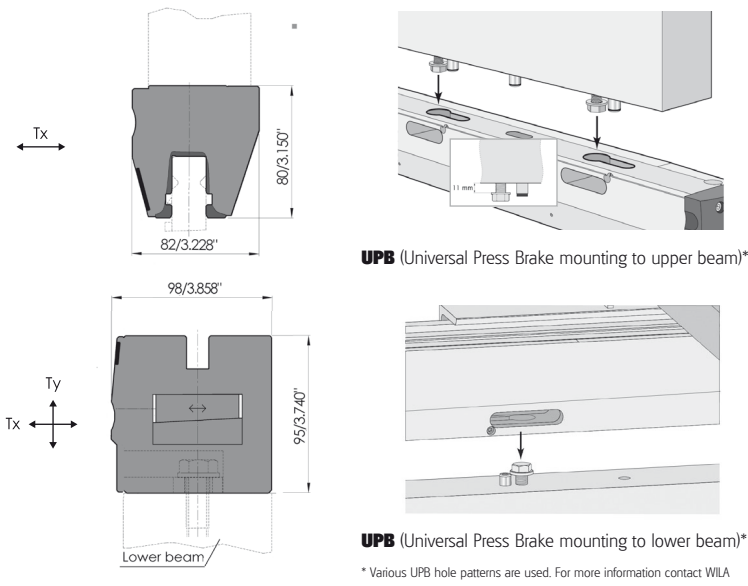
Hardened steel	●	●	●	●	●	●	-	-	-	-	-	-
Plastic	-	-	-	-	-	-	●	●	●	●	●	●
E2M [®] with roll-out safety device (Hardened steel)	○	●	○	●	○	●	○	○	●	○	●	-

● - Standard ○ - Optional - - Not available ¹⁾ Various UPB hole patterns are used, for more information please contact WILA ²⁾ Pneumatic Clamping. ³⁾ See page 131. ⁴⁾ Hydraulic Clamping.

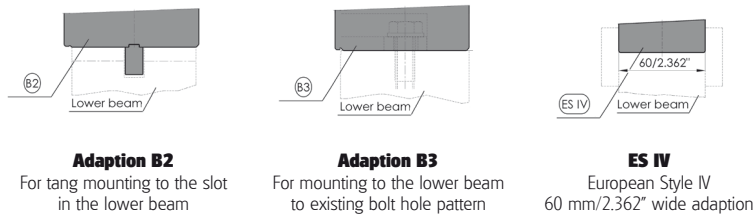
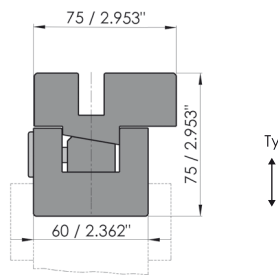
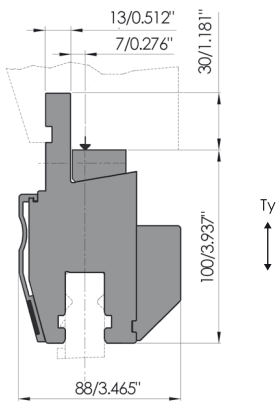
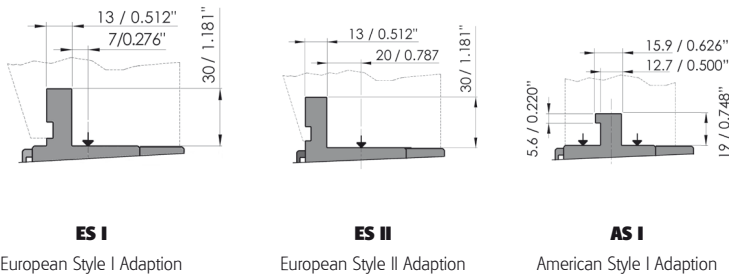
NSCL-I New Standard Pro Clamping non-hardened version	NSCR-I New Standard Pro Crowning non-hardened version	HC Hydraulic Clamping. Used in Clamping, Crowning and Bottom Tool Holders
ASCL-I American Style Clamping non-hardened version	OB-I New Standard Pro Bottom Tool Holder non-hardened version	MC Mechanical Clamping. Used in Clamping, Crowning and Bottom Tool Holders
NSCL-II New Standard Premium Clamping hardened version	NSCR-II New Standard Premium Crowning hardened version	HD Heavy Duty
	OB-II New Standard Premium Bottom Tool Holder hardened version	SL Pneumatic Clamping. Used in Clamping, Crowning and Bottom Tool Holders

TOOL HOLDERS for every press brake

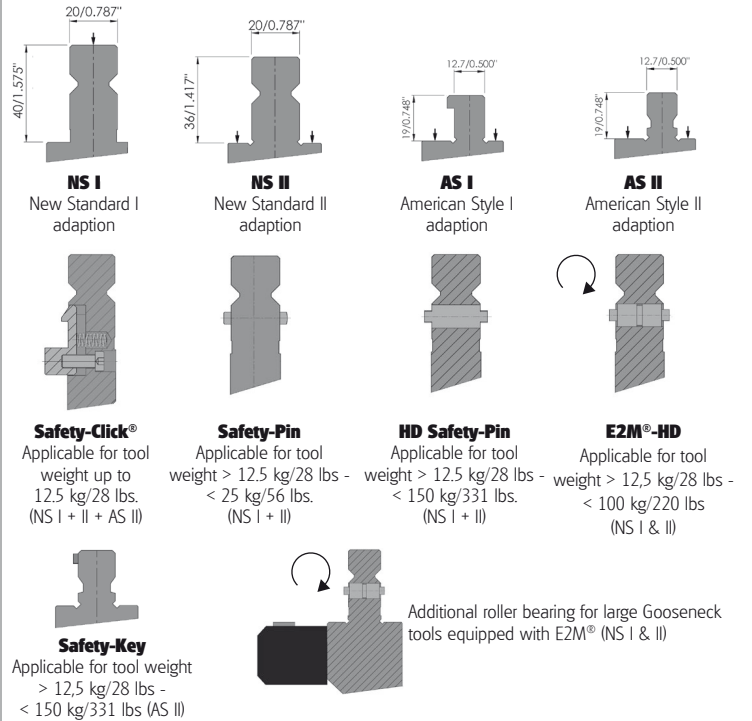
Mounting possibilities top and bottom tools



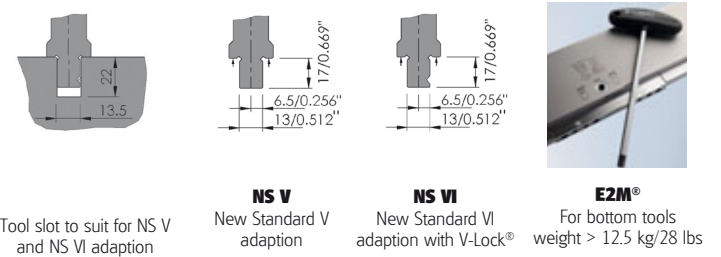
Examples of retrofit mounting solutions (top and bottom) for existing press brakes, other adaptions available.



To suit New Standard top tools with NS I or II adaption, respectively American Style with AS I or II adaption.



To suit New Standard and American Style bottom tools with NS V or NS VI adaption



Crowning centralized adjustment.

CNC
Motorized at the end of Crowning
CRM 14 (Premium)



H
Manual at the end of Crowning



CRM 7 (Pro)



Hf
Manual in the front of Crowning



CRM 12 (Premium & Pro)



CRM 30 (HD)

Hy
Hydraulic at the end. Only in case of HD crowning with tool weight more than 4000 kg/8820 lbs.

A All New Standard and American Style Tool Holders are equipped with Guards. E2M® Guards come with roll-out prevention device.

B Tool Holders suitable for New Standard or American Style top tools provided with; Safety-Click®, Safety-Pin or E2M®. (E2M® with NS, Safety-Pin with AS only)

C Tool Holders suitable for 'Head' and 'Shoulder' load top tools.

D Clamps tool segments from 10 mm/0.394" in length.

E Horizontal and Vertical loading of Tooling.



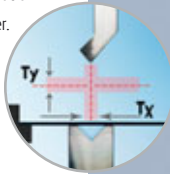
Top Tool Holders available with Hydraulic Clamping (HC), Pneumatic Clamping (SL) or Manual Clamping (MC).

Tx

Tool alignment in X-direction (in relation to the back gauge), ideally incorporated in every Tool Holder.

Ty

Tool alignment in Y-direction to compensate for unavoidable accumulated machining tolerances, to be incorporated in Tool Holders.

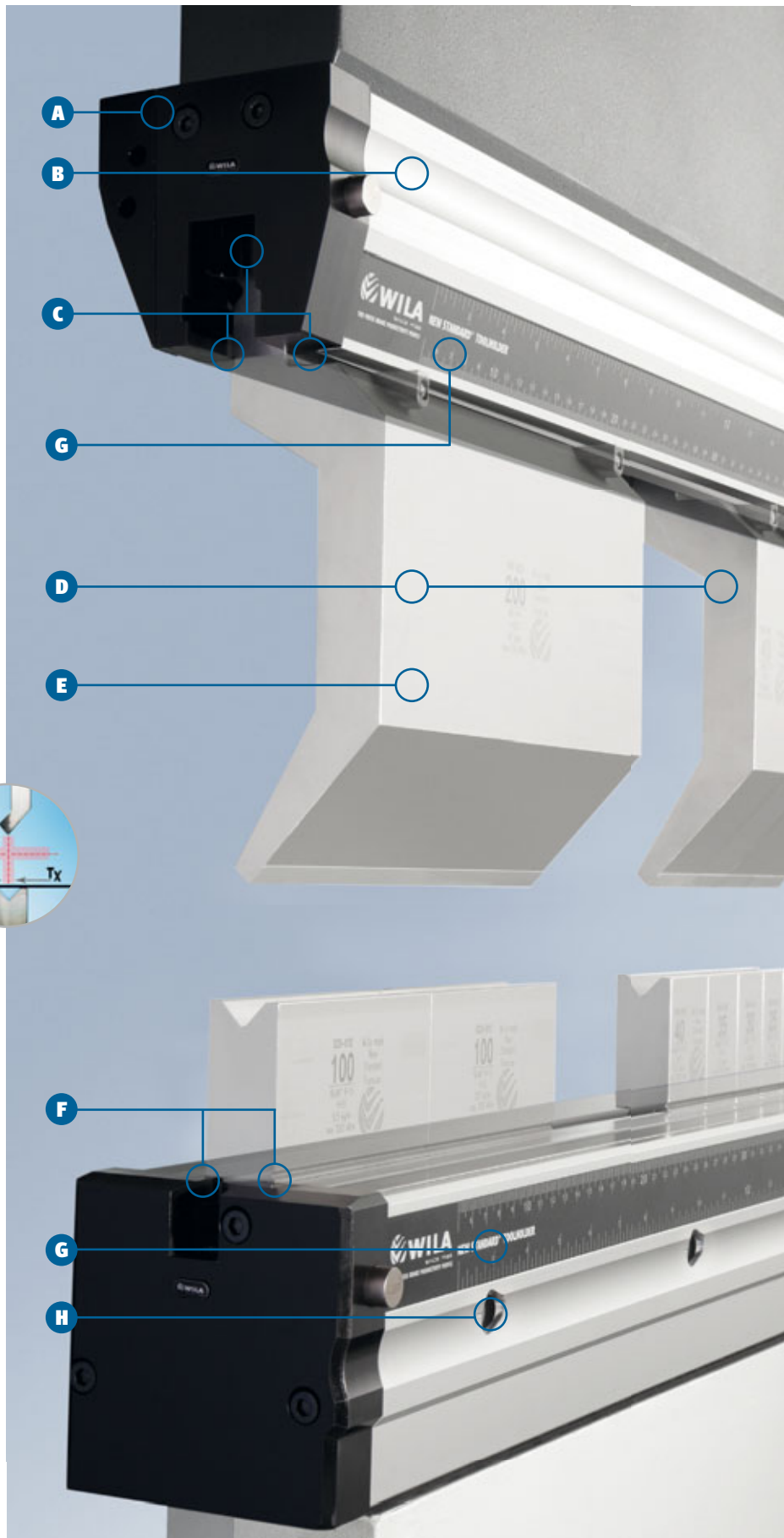


F Tool Holders suitable for 'Shoulder' load New Standard and American Style bottom tools with NS V and VI adaption.

G New Standard and American Style Tool Holders are available with Smart Tool Locator® (STL).

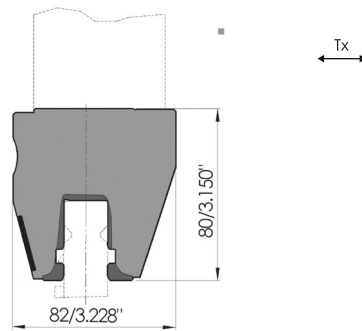
H Ty-alignment with localized adjustment dials.

Bottom Tool Holders available with Hydraulic Clamping (HC), Pneumatic Clamping (SL) or Manual Clamping (MC).



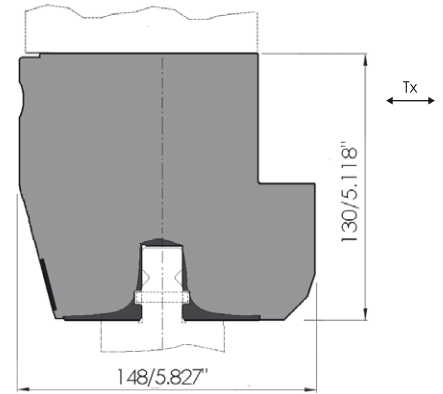
TOOL HOLDERS

NSCL-II-HC/UPB



	Standard	Optional
Tool slot CNC-Deeplhardened®	●	
Hydraulic Clamping	●	
Manual Clamping		○
Designed for press brakes with UPB-II hole pattern	●	
Cover strip with scale	●	
Tx-alignment	●	
Smart Tool Locator® (STL)*		○
Guards	●	
Weight	32 kg/m - 21.5 lbs/ft	
Max. load head/shoulders	250/300 t/m - 84/100 t/ft	

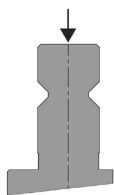
NSCL-HD-II-HC/UPB



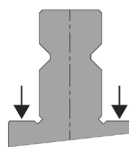
	Standard	Optional
Tool slot CNC-Deeplhardened®	●	
Hydraulic Clamping	●	
Designed for press brakes with UPB-IV hole pattern	●	
Cover strip with scale	●	
Tx-alignment	●	
Smart Tool Locator® (STL)*		○
E2M® Guards	●	
Weight	116 kg/m - 78 lbs/ft	
Max. load head/shoulders	250/800 t/m - 84/269 t/ft	

* Not available for Tool Holders with Manual Clamping.

ADAPTION



NS I head load



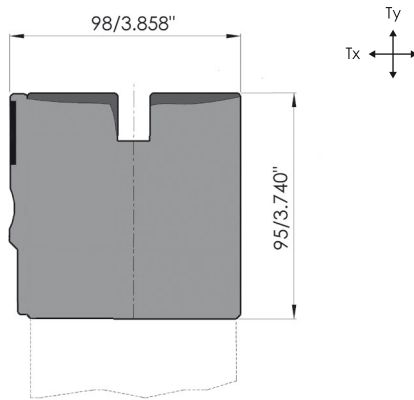
NS II shoulder load

SMART TOOL LOCATOR® (STL)



This intelligent ruler equipped with LED lighting immediately shows where tools must be placed in the Tool Holder. The Smart Tool Locator® also identifies the exact bending sequence.

NSCR-II-HC-CNC/UPB



	Standard	Optional
Tool slot CNC-Deephardened®	●	
Hydraulic Clamping	●	
Manual Clamping		○
Designed for press brakes with UPB-II hole pattern	●	
Cover strip with scale	●	
Tx-alignment	●	
Ty-alignment permanently accessible	●	
Ty-alignment behind Cover strip		○
Smart Tool Locator® (STL)*		○
Guard	●	
Drive unit CNC, Motor at one end	●	
Drive unit CNC, Motor completely built-in		○
Weight	66 kg/m - 44.3 lbs/ft	
Max. load shoulders	300 t/m - 100 t/ft	

* Not available for Tool Holders with Manual Clamping.

ADAPTION



NS V shoulder load



**NS VI shoulder load
with V-Lock®**

V-LOCK®



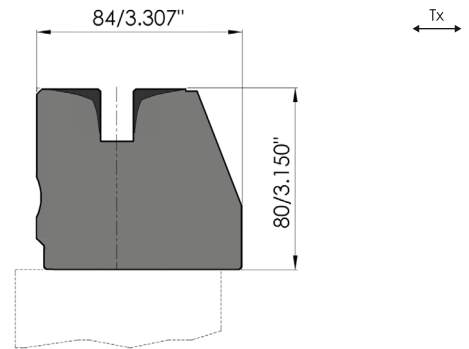
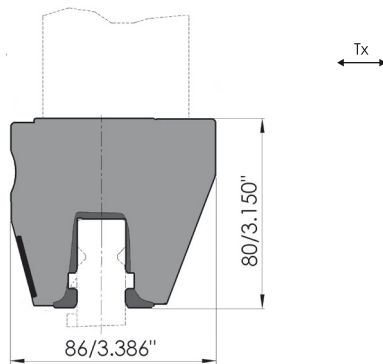
The V-Lock® improves the clamping and positioning of bottom tools. A groove in the tool tang allows specially designed clamping pins to automatically align and firmly clamp bottom tools in both X and Y directions.

All newly manufactured New Standard Crowning and Bottom Tool Holders with Hydraulic Clamping will be supplied with specially designed clamping pins to take advantage of the V-Lock® feature.

NSCL-II-SL/UPB



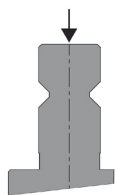
OB-II-SL/UPB



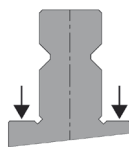
	Standard	Optional
Tool slot CNC-Deepl hardened®	●	
Pneumatic Clamping	●	
Designed for press brakes with UPB-VIII hole pattern	●	
Cover strip with scale	●	
Tx-alignment	●	
Smart Tool Locator® (STL)		○
Guards	●	
Weight	33 kg/m - 22.2 lbs/ft	
Max. load head/shoulders	200 t/m - 68 t/ft	

	Standard	Optional
Tool slot CNC-Deepl hardened®	●	
Pneumatic Clamping	●	
Designed for press brakes with UPB-VIII hole pattern	●	
B2 or B3 mounting		○
Cover strip with scale	●	
Tx-alignment	●	
Smart Tool Locator® (STL)		○
Guards	●	
Weight	30 kg/m - 20 lbs/ft	
Max. load shoulders	200 t/m - 68 t/ft	

ADAPTION



NS I head load

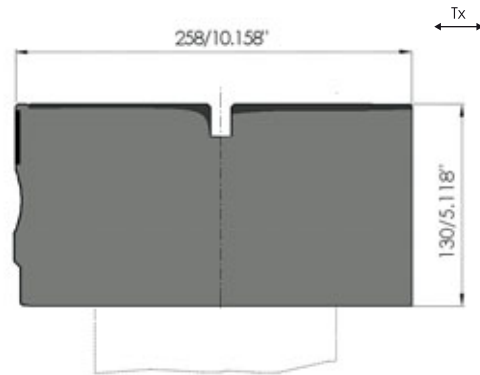
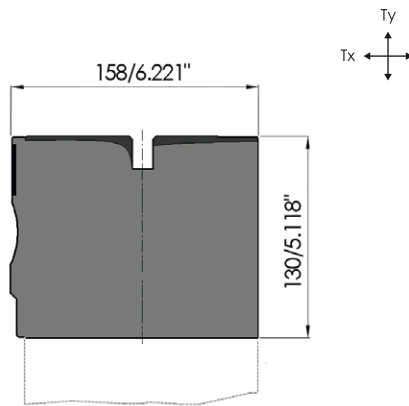


NS II shoulder load

SELF-LOCKING



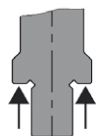
Tools are clamped using a pneumatically-controlled pair of self-adjusting wedges. When the wedges are engaged (clamped), they become an integral part of the tool. The Self-Locking® principle is suitable for clamping WILA's New Standard top and bottom tools (BIU and OZU). The Premium clamping is also released pneumatically.



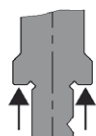
	Standard	Optional
Tool slot CNC-Deepearthened®	●	
Hydraulic Clamping	●	
Designed for press brakes with UPB-VI hole pattern	●	
B2 mounting to the lower beam instead of UPB		○
Cover strip with scale	●	
Tx-alignment	●	
Ty-alignment permanently accessible	●	
Ty-alignment behind Cover strip		○
Smart Tool Locator® (STL)		○
E2M® Guards	●	
Drive unit CNC, Motor (max. tool weight 4000 kg – 8.820 lbs)	●	
Drive unit CNC, Hydraulic (tool weight > 4000 kg – 8.820 lbs)		○
Weight	154 kg/m – 103.3 lbs/ft	
Pillars for supporting extra wide bottom tools		○
Max. load shoulders	800 t/m – 269 t/ft	

	Standard	Optional
Tool slot CNC-Deepearthened®	●	
Hydraulic Clamping	●	
Designed for press brakes with UPB-VII hole pattern	●	
B2 mounting to the lower beam instead of UPB		○
Cover strip with scale	●	
Tx-alignment	●	
Smart Tool Locator® (STL)		○
E2M® Guards	●	
Drive unit CNC, Motor (max. tool weight 4000 kg – 8.820 lbs)	●	
Drive unit CNC, Hydraulic (tool weight > 4000 kg – 8.820 lbs)		○
Weight	258 kg/m – 173 lbs/ft	
Pillars for supporting extra wide bottom tools		○
Max. load shoulders	800 t/m – 269 t/ft	

ADAPTION



NS V shoulder load



NS VI shoulder load with V-Lock®

PILLAR

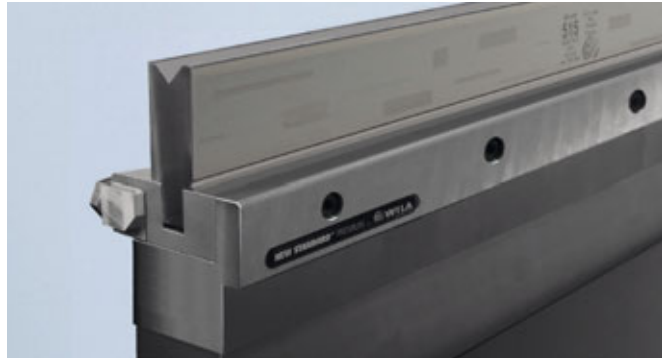


When using "HD" Tool Holders, it is possible to install 'pillars' to further support very wide and heavy bottom tools. These pillars offer additional stability to tools during the bending process. Available every 255 mm/10.039" on front and backside.

OB-II-HC-TY/UPB

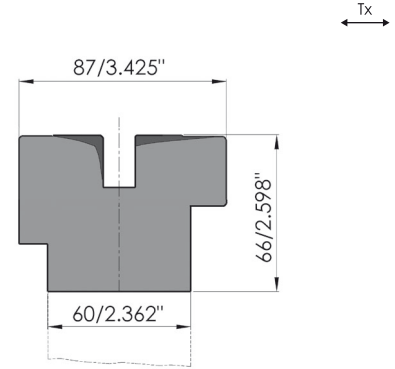
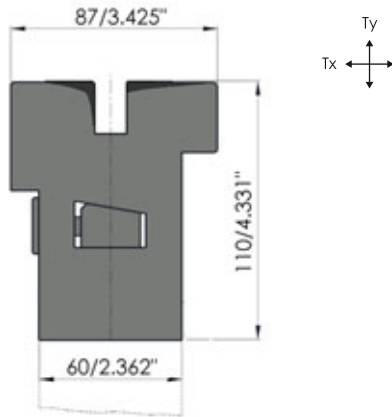


OB-II-HC/UPB



TOOL HOLDERS

NEW STANDARD PREMIUM



	Standard	Optional
Tool slot CNC-Deepphardened®	●	
Hydraulic Clamping	●	
Manual Clamping		○
Designed for press brakes with UPB-II hole pattern	●	
ES IV, B2 or B3 mounting**		○
Tx-alignment	●	
Ty-alignment permanently accessible	●	
Weight	57 kg/m – 38.3 lbs/ft	
Max. load shoulders	300 t/m – 100 t/ft	

	Standard	Optional
Tool slot CNC-Deepphardened®	●	
Hydraulic Clamping	●	
Manual Clamping		○
Designed for press brakes with UPB-II hole pattern	●	
ES IV, B2 or B3 mounting**		○
Tx-alignment	●	
Weight	37 kg/m – 24.8 lbs/ft	
Max. load shoulders	300 t/m – 100 t/ft	

** Height may change.

ADAPTION



NS V shoulder load



NS VI shoulder load with V-Lock®

TY-ADJUSTMENT

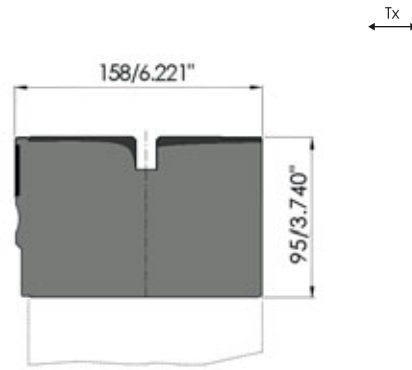
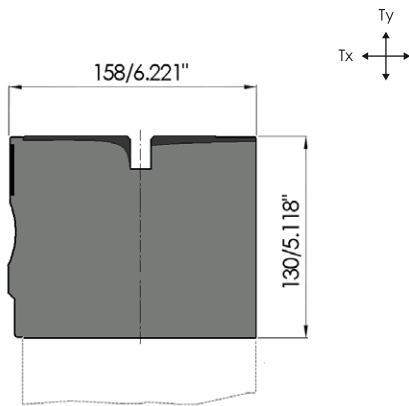


Ty-adjustment is crucial in achieving parallelism between top and bottom tools. Adjustment in Y direction makes it possible to fully compensate for unavoidable - cumulative - machining tolerances in the press brake. Either the top or bottom Tool Holder must be able to do this if one wants to achieve accurate and consistent bending results.

OB-HD-II-HC-TY/UPB



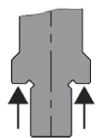
OB-HD-II-HC/UPB



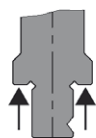
	Standard	Optional
Tool slot CNC-Dee hardened®	●	
Hydraulic Clamping	●	
Designed for press brakes with UPB-VI hole pattern	●	
B2 mounting to the lower beam instead of UPB		○
Cover strip with scale	●	
Tx-alignment	●	
Ty-alignment permanently accessible	●	
Ty-alignment behind Cover strip		○
Smart Tool Locator® (STL)		○
E2M® Guards	●	
Weight	154 kg/m - 103.3 lbs/ft	
Pillars for supporting extra wide bottom tools		○
Max. load shoulders	800 t/m - 269 t/ft	

	Standard	Optional
Tool slot CNC-Dee hardened®	●	
Hydraulic Clamping	●	
Designed for press brakes with UPB-VI hole pattern	●	
B2 mounting to the lower beam instead of UPB		○
Cover strip with scale	●	
Tx-alignment	●	
Smart Tool Locator® (STL)		○
E2M® Guards	●	
Weight	112 kg/m - 75 lbs/ft	
Pillars for supporting extra wide bottom tools		○
Max. load shoulders	800 t/m - 269 t/ft	

ADAPTION



NS V shoulder load



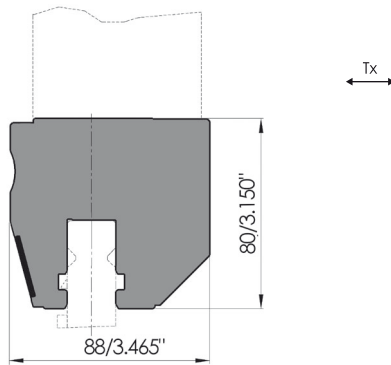
NS VI shoulder load with V-Lock®

CNC-DEEPHARDENING®



Almost all press brake tools produced by WILA are CNC-Dee hardened®. The same applies to WILA's New Standard Premium Tool Holders. This makes them extremely robust and durable. Our New Standard Premium Tool Holders are hardened as shown here.

NSCL-I-HC/UPB



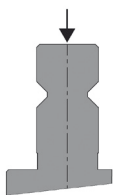
TOOL HOLDERS

NEW STANDARD PRO

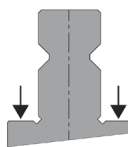
	Standard	Optional
Hydraulic Clamping	●	
Manual Clamping		○
Designed for press brakes with UPB-II hole pattern	●	
Cover strip with scale	●	
Tx-alignment	●	
Smart Tool Locator® (STL)*		○
Guards	●	
Weight	32 kg/m – 21.5 lbs/ft	
Max. load head/shoulders	180/250 t/m – 61/84 t/ft	

* Not available for Tool Holders with Manual Clamping.

ADAPTION

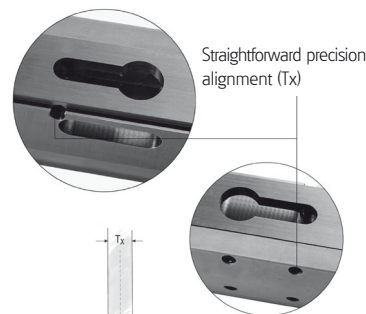


NS I head load



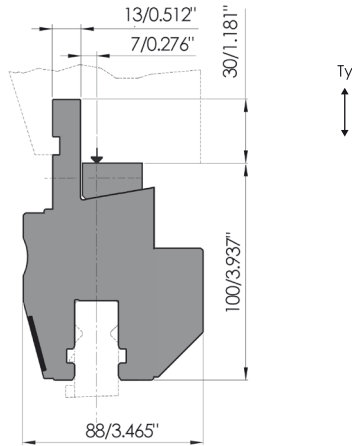
NS II shoulder load

TX-ADJUSTMENT

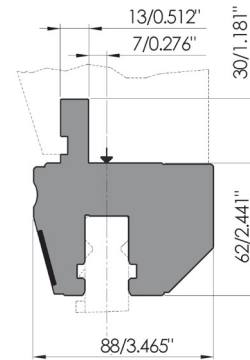


Tx-adjustment is needed to configure the position of the bending line (centerline of tools) in relation to the back gauge of the press brake, to an extremely high level of precision. Ideally, all Tool Holders should feature this capability.

NSCL-I-HC-TY/ES I



NSCL-I-HC/ES I

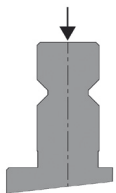


	Standard	Optional
Hydraulic Clamping	●	
Manual Clamping		○
Designed for press brakes with European Style I upper beam	●	
Cover strip with scale	●	
Ty-alignment	●	
Smart Tool Locator® (STL)*		○
Guards	●	
Weight	46 kg/m – 30.8 lbs/ft	
Max. load head/shoulders	180/250 t/m – 61/84 t/ft	

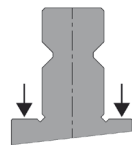
	Standard	Optional
Hydraulic Clamping	●	
Manual Clamping		○
Designed for press brakes with European Style I upper beam	●	
Available to suit any existing ram-style		○
Cover strip with scale	●	
Smart Tool Locator® (STL)*		○
Guards	●	
Weight	26 kg/m – 17.4 lbs/ft	
Max. load head/shoulders	180/250 t/m – 61/84 t/ft	

* Not available for Tool Holders with Manual Clamping.

ADAPTION



NS I head load



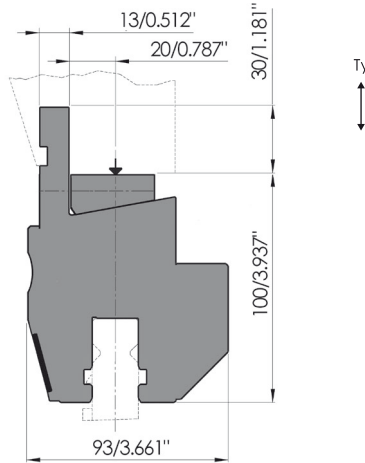
NS II shoulder load

GUARD FOR E2M®



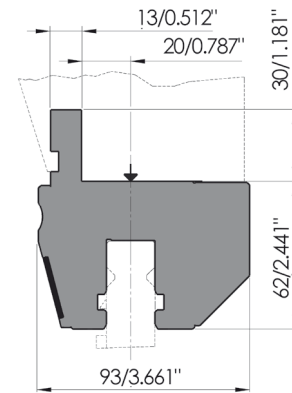
Special Guards are available for WILA's E2M® system. These Guards feature an E2M® locking device, which means tools cannot be removed by the clamp until the operator releases them.

NSCL-I-HC-TY/ES II



	Standard	Optional
Hydraulic Clamping	●	
Manual Clamping		○
Designed for press brakes with European Style II upper beam	●	
Cover strip with scale	●	
Ty-alignment	●	
Smart Tool Locator® (STL)*		○
Guards	●	
Weight	48 kg/m – 32.2 lbs/ft	
Max. load head/shoulders	180/250 t/m – 61/84 t/ft	

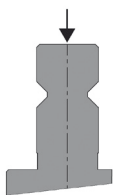
NSCL-I-HC/ES II



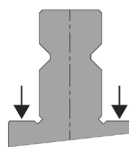
	Standard	Optional
Hydraulic Clamping	●	
Manual Clamping		○
Designed for press brakes with European Style II upper beam	●	
Available to suit any existing ram-style		○
Cover strip with scale	●	
Smart Tool Locator® (STL)*		○
Guards	●	
Weight	28 kg/m – 18.8 lbs/ft	
Max. load head/shoulders	180/250 t/m – 61/84 t/ft	

* Not available for Tool Holders with Manual Clamping.

ADAPTION



NS I head load



NS II shoulder load

GUARDS

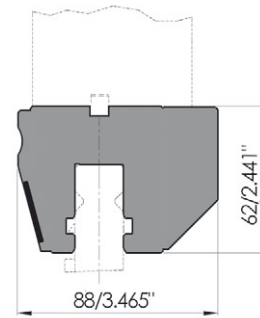
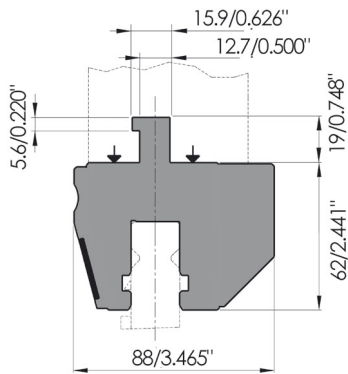


Guards are cover plates for the ends of the Tool Holders that make it easier to insert tools horizontally. In addition, Guards protect clamps and tools against damage.

NSCL-I-HC/AS I



NSCL-I-HC/11766

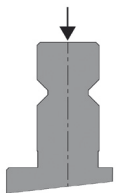


	Standard	Optional
Hydraulic Clamping	●	
Manual Clamping		○
Designed for press brakes with American Style I upper beam	●	
Available to suit any existing ram-style		○
Cover strip with scale	●	
Smart Tool Locator® (STL)*		○
Guards	●	
Weight	26 kg/m - 17.4 lbs/ft	
Max. load head/shoulders	180/250 t/m - 61/84 t/ft	

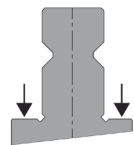
	Standard	Optional
Hydraulic Clamping	●	
Manual Clamping		○
Designed as replacement for press brakes equipped with ModuFix clamping system	●	
Cover strip with scale	●	
Smart Tool Locator® (STL)*		○
Guards	●	
Weight	24 kg/m - 16.1 lbs/ft	
Max. load head/shoulders	180/250 t/m - 61/84 t/ft	

* Not available for Tool Holders with Manual Clamping.

ADAPTION



NS I head load



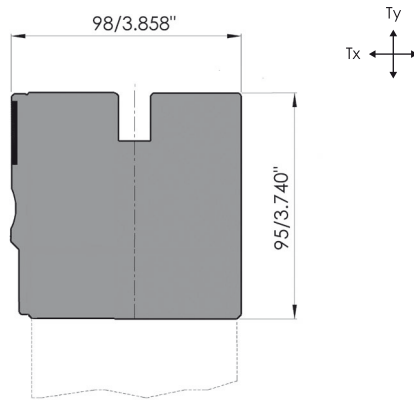
NS II shoulder load

MODUFIX CLAMPING SYSTEM



The current New Standard Tool Holder Clamping models can be seen as the successor to the ModuFix Clamping System, which was first introduced in 1990. For a possible replacement of this model, we offer you the NSCL-I-HC / 11766.

NSCR-I-HC-CNC/UPB



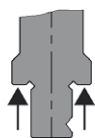
	Standard	Optional
Hydraulic Clamping	●	
Manual Clamping		○
Designed for press brakes with UPB-II hole pattern	●	
B2 or B3 mounting		○
Cover strip with scale	●	
Tx-alignment	●	
Ty-alignment permanently accessible	●	
Ty-alignment behind Cover strip		○
Smart Tool Locator® (STL)*		○
Guard	●	
Drive unit CNC, Motor at one end	●	
Drive unit H, Hand crank assembly at one end		○
Drive unit Hf, manually in the front		○
Weight	66 kg/m – 44.2 lbs/ft	
Max. load shoulders	200 t/m – 68 t/ft	

* Not available for Tool Holders with Manual Clamping.

ADAPTION



NS V shoulder load



**NS VI shoulder load
with V-Lock®**

CRM7 CNC DRIVE MOTOR

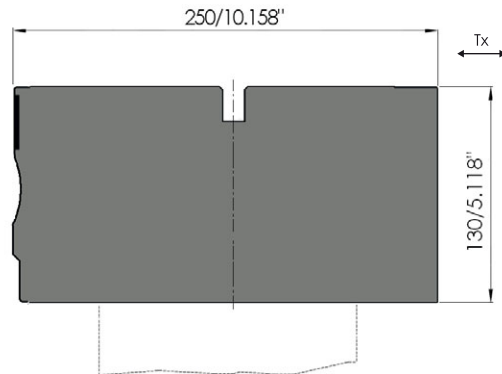
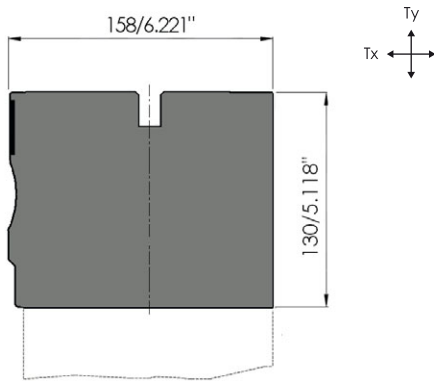


CRM7 is a CNC-driven drive motor which has been designed for New Standard Pro Crowning. This motor makes it possible to horizontally insert and remove bottom tools from both ends. The CRM7 motor is available for crowning lengths up to 4300 mm/14 ft.

NSCR-HD-I-HC-150-CNC/UPB



NSCR-HD-I-HC-250-CNC/UPB



	Standard	Optional
Hydraulic Clamping	●	
Manual Clamping		○
Designed for press brakes with UPB-VI hole pattern	●	
B2 mounting to the lower beam instead of UPB		○
Cover strip with scale	●	
Tx-alignment	●	
Ty-alignment permanently accessible	●	
Ty-alignment behind Cover strip		○
Smart Tool Locator® (STL)*		○
E2M® Guards	●	
Drive unit CNC, Motor (max. tool weight 4000 kg – 8.820 lbs)	●	
Drive unit CNC, Hydraulic (tool weight > 4000 kg – 8.820 lbs)		○
Weight	154 kg/m – 103.2 lbs/ft	
Pillars for supporting extra wide bottom tools		○
Max. load shoulders	500 t/m – 168 t/ft	

	Standard	Optional
Hydraulic Clamping	●	
Manual Clamping		○
Designed for press brakes with UPB-VII hole pattern	●	
B2 mounting to the lower beam instead of UPB		○
Cover strip with scale	●	
Tx-alignment	●	
Smart Tool Locator® (STL)*		○
E2M® Guards	●	
Drive unit CNC, Motor (max. tool weight 4000 kg – 8.820 lbs)	●	
Drive unit CNC, Hydraulic (tool weight > 4000 kg – 8.820 lbs)		○
Weight	258 kg/m – 173 lbs/ft	
Pillars for supporting extra wide bottom tools		○
Max. load shoulders	500 t/m – 168 t/ft	

* Not available for Tool Holders with Manual Clamping.

ADAPTION



NS V shoulder load

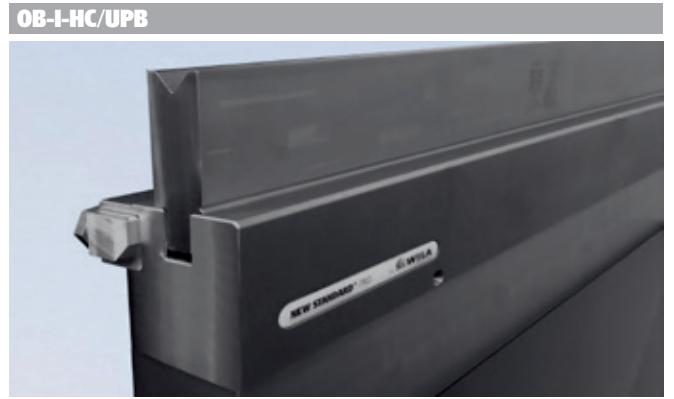


NS VI shoulder load with V-Lock®

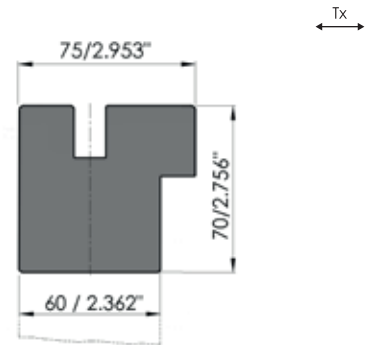
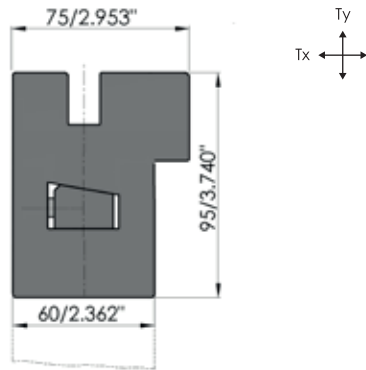
MANUAL CLAMPING OF BOTTOM TOOLS



If bottom tool changeovers are not needed often, Premium and Pro Crowning/Bottom Tool Holder models with manual clamping are available as well. Manual Clamping is achieved via clamping bolts at a distance of every 25 mm/1", in the center 1.000 mm/40" and every 100 mm/4" towards each end, allowing the clamping of tool segments as small as 15 mm/0.591" in length.



TOOL HOLDERS
NEW STANDARD PRO

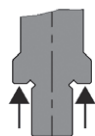


	Standard	Optional
Hydraulic Clamping	●	
Manual Clamping		○
Designed for press brakes with UPB-II hole pattern	●	
ES IV, B2 or B3 mounting**		○
Tx-alignment	●	
Ty-alignment permanently accessible	●	
Weight	45 kg/m – 30.2 lbs/ft	
Max. load shoulders	200 t/m – 68 t/ft	

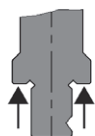
	Standard	Optional
Hydraulic Clamping	●	
Manual Clamping		○
Designed for press brakes with UPB-II hole pattern	●	
ES IV, B2 or B3 mounting**		○
Tx-alignment	●	
Weight	35 kg/m – 23.5 lbs/ft	
Max. load shoulders	200 t/m – 68 t/ft	

** Height may change.

ADAPTION



NS V shoulder load



NS VI shoulder load
with V-Lock®

TY-ADJUSTMENT

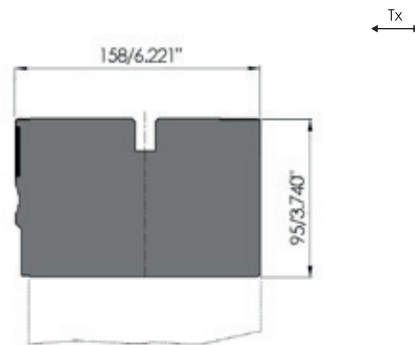
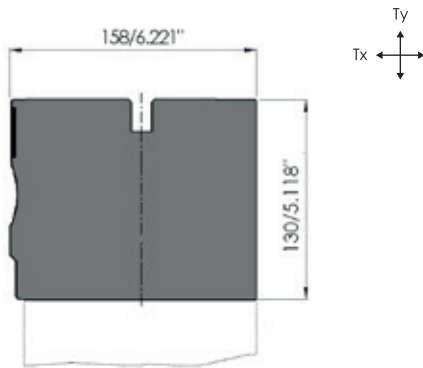


Ty-adjustment is crucial in determining the parallelism between top and bottom tools. Adjustment in Y direction makes it possible to fully compensate for unavoidable - cumulative - processing tolerances in the press brake. Either the top or bottom Tool Holder must be able to do this if one wants to achieve accurate and consistent bending results.

OB-HD-I-HC-TY/UPB



OB-HD-I-HC/UPB

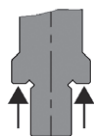


	Standard	Optional
Hydraulic Clamping	●	
Manual Clamping		○
Designed for press brakes with UPB-VI hole pattern	●	
B2 mounting to the lower beam instead of UPB		○
Cover strip with scale	●	
Tx-alignment	●	
Ty-alignment permanently accessible	●	
Ty-alignment behind Cover strip		○
Smart Tool Locator® (STL)*		○
E2M® Guards	●	
Weight	154 kg/m – 103.3 lbs/ft	
Pillars for supporting extra wide bottom tools		○
Max. load shoulders	500 t/m – 168 t/ft	

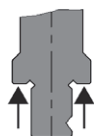
	Standard	Optional
Hydraulic Clamping	●	
Manual Clamping		○
Designed for press brakes with UPB-VI hole pattern	●	
B2 mounting to the lower beam instead of UPB		○
Cover strip with scale	●	
Tx-alignment	●	
Smart Tool Locator® (STL)*		○
E2M® Guards	●	
Weight	112 kg/m – 75 lbs/ft	
Pillars for supporting extra wide bottom tools		○
Max. load shoulders	500 t/m – 168 t/ft	

* Not available for Tool Holders with Manual Clamping.

ADAPTION



NS V shoulder load



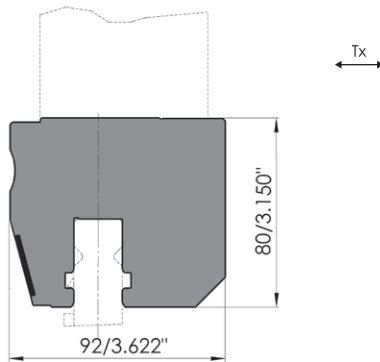
NS VI shoulder load with V-Lock®

EASY-TO-MOVE® (E2M)



This bearing system is designed for quick and safe handling of heavy top and bottom tools in and out of the Tool Holder. The Tool Holders should be equipped with a roll-out prevention (E2M® Guard).

NSCL-I-SL/UPB



TOOL HOLDERS

NEW STANDARD PRO

	Standard	Optional
Pneumatic Clamping	●	
Designed for press brakes with UPB-II hole pattern	●	
Cover strip with scale	●	
Tx-alignment	●	
Smart Tool Locator® (STL)		○
Guards	●	
Weight	38 kg/m – 25.6 lbs/ft	
Max. load head/shoulders	180/250 t/m – 61/84 t/ft	

ADAPTION

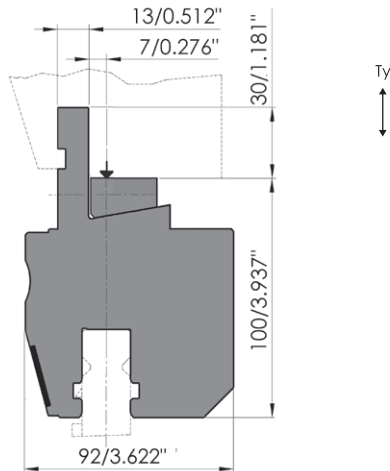
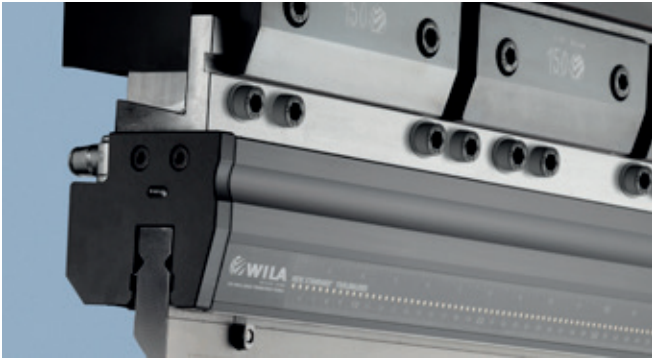


SELF-LOCKING



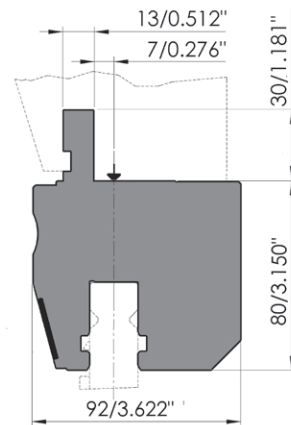
Tools are clamped using a pneumatically-controlled pair of self-adjusting wedges. When the wedges are engaged (clamped), they become an integral part of the tool. The Self-Locking® principle is suitable for clamping WILA's New Standard top and bottom tools (BIU and OZU). The Premium clamping is also released pneumatically.

NSCL-I-SL-TY/ES I



	Standard	Optional
Pneumatic Clamping	●	
Designed for press brakes with European Style I upper beam	●	
Cover strip with scale	●	
Ty-alignment	●	
Smart Tool Locator® (STL)		○
Guards	●	
Weight	51 kg/m – 34.4 lbs/ft	
Max. load shoulders	180 / 250 t/m – 61/84 t/ft	

NSCL-I-SL/ES I

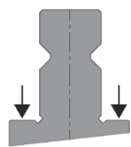


	Standard	Optional
Pneumatic Clamping	●	
Designed for press brakes with European Style I upper beam	●	
Available to suit any existing ram-style		○
Cover strip with scale	●	
Smart Tool Locator® (STL)		○
Guards	●	
Weight	42 kg/m – 28.3 lbs/ft	
Max. load shoulders	180 / 250 t/m – 61/84 t/ft	

ADAPTION



NS I head load



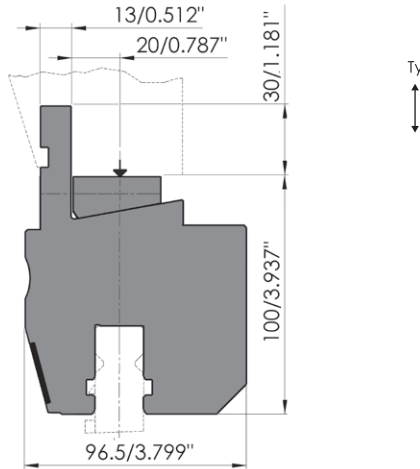
NS II shoulder load

SAFETY-CLICK®



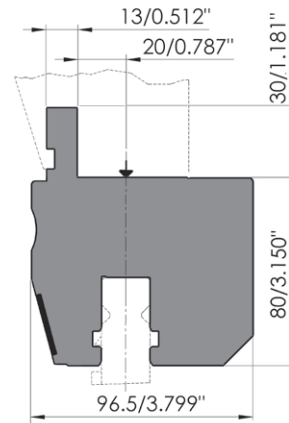
The Safety-Click® is WILA's patented safety mechanism which has been integrated into top tools with a weight up to 12.5 kg/28 lbs. This revolutionary mechanism allows tools to be changed vertically by simply clicking them in and out of the Clamping.

NSCL-I-SL-TY/ES II



	Standard	Optional
Pneumatic Clamping	●	
Designed for press brakes with European Style II upper beam	●	
Cover strip with scale	●	
Ty-alignment	●	
Smart Tool Locator® (STL)		○
Guards	●	
Weight	53 kg/m – 35.7 lbs/ft	
Max. load shoulders	180 / 250 t/m – 61/84 t/ft	

NSCL-I-SL/ES II

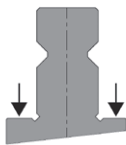


	Standard	Optional
Pneumatic Clamping	●	
Designed for press brakes with European Style II upper beam	●	
Available to suit any existing ram-style		○
Cover strip with scale	●	
Smart Tool Locator® (STL)		○
Guards	●	
Weight	45 kg/m – 30.5 lbs/ft	
Max. load shoulders	180 / 250 t/m – 61/84 t/ft	

ADAPTION



NS I head load



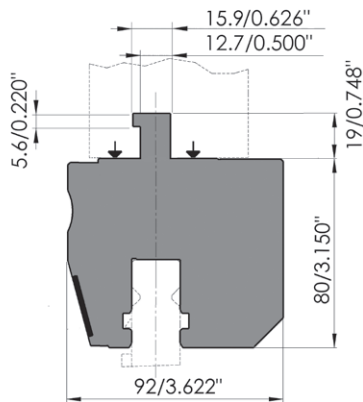
NS II shoulder load

WEBSHOP



The WILA Webshop features a comprehensive overview of WILA's top and bottom tools. The Webshop can be used to directly request quotes, check prices, find delivery times and place orders. Create your account via: webshop.wilausa.com

NSCL-I-SL/AS I

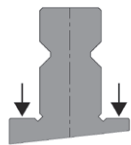


	Standard	Optional
Pneumatic Clamping	●	
Designed for press brakes with American Style I upper beam	●	
Available to suit any existing ram-style		○
Cover strip with scale	●	
Smart Tool Locator® (STL)		○
Guards	●	
Weight	41 kg/m – 27.7 lbs/ft	
Max. load shoulders	180 / 250 t/m – 61/84 t/ft	

ADAPTION



NS I head load



NS II shoulder load

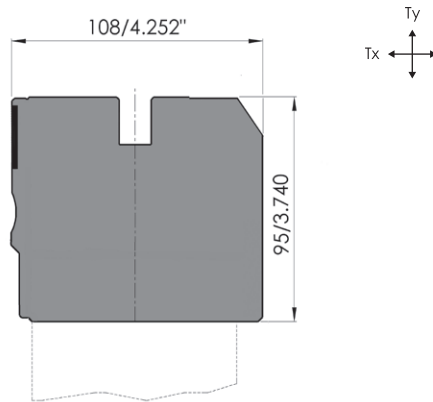
SMART TOOLING



All WILA New Standard Premium tools have a unique DM-code. With the WILA Smart Tooling app you can scan all the tools. After scanning the DM-code you have immediate access to the tool's specifications and the correct tool data files for your press brake control.

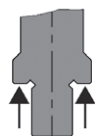


NSCR-I-SL/UPB

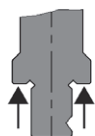


	Standard	Optional
Pneumatic Clamping	●	
Designed for press brakes with UPB-II hole pattern	●	
B2 or B3 mounting		○
Cover strip with scale	●	
Tx-alignment	●	
Ty-alignment permanently accessible		○
Ty-alignment behind Cover strip	●	
Smart Tool Locator ® (STL)		○
Guard	●	
Drive unit CNC, Motor at one end	●	
Drive unit H, Hand crank assembly at one end		○
Drive unit Hf, manually in the front		○
Weight	70kg/m – 47.2 lbs/ft	
Max. load shoulders	200 t/m – 68 t/ft	

ADAPTION



NS V shoulder load



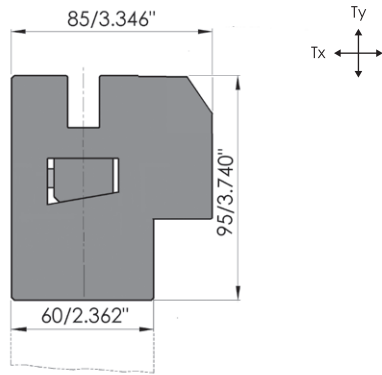
**NS VI shoulder load
with V-Lock®**

E2M® SAFETY ROLLER BEARING: BOTTOM

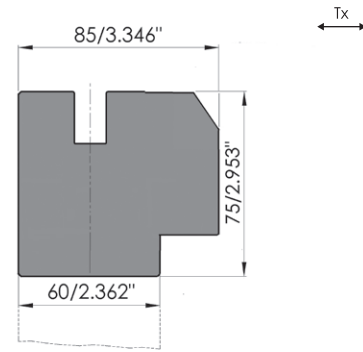


E2M® bottom tools are provided with an internal lift system. This system is applicable for a tool weight with a maximum of 140 kg /309 lbs and minimum tool length of 200mm/7.874". Minimum width of the tool should be 30mm/1.181".

OB-I-SL-TY/UPB



OB-I-SL/UPB



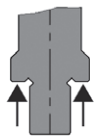
	Standard	Optional
Pneumatic Clamping	●	
Designed for press brakes with UPB-II hole pattern	●	
ES IV, B2 or B3 mounting**		○
Cover strip with scale and Guard		○
Tx-alignment	●	
Ty-alignment permanently accessible	●	
Smart Tool Locator® (STL)		○
Weight	53 kg/m – 35.7 lbs/ft	
Max. load shoulders	200 t/m – 68 t/ft	

	Standard	Optional
Pneumatic Clamping	●	
Designed for press brakes with UPB-II hole pattern	●	
ES IV, B2 or B3 mounting**		○
Cover strip with scale and Guard		○
Tx-alignment	●	
Smart Tool Locator® (STL)		○
Weight	41 kg/m – 27.7 lbs/ft	
Max. load shoulders	200 t/m – 68 t/ft	

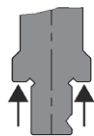
** Height may change

** Height may change

ADAPTION



NS V shoulder load



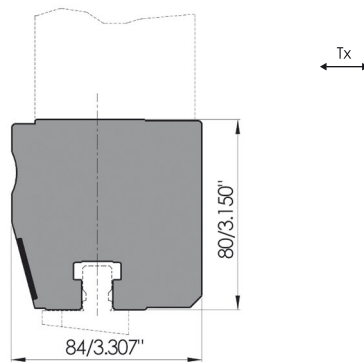
**NS VI shoulder load
with V-Lock®**

PRESS BRAKE PRODUCTIVITY WAX



Press Brake Productivity Wax is a spray that has been specially developed for cleaning, maintaining and protecting WILA tools.

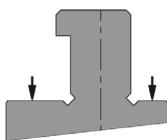
ASCL-I-HC/UPB



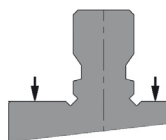
	Standard	Optional
Hydraulic Clamping	●	
Manual Clamping		○
Designed for press brakes with UPB-II hole pattern	●	
Cover strip with scale	●	
Tx-alignment	●	
Smart Tool Locator® (STL)*		○
Guards	●	
Weight	34.5 kg/m – 23.1 lbs/ft	
Max. load shoulders	230 t/m – 77 t/ft	

* Not available for Tool Holders with Manual Clamping.

ADAPTION



AS I shoulder load



AS II shoulder load

MANUAL CLAMPING SYSTEM

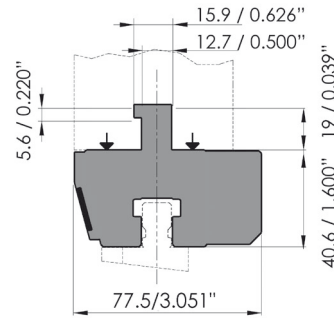
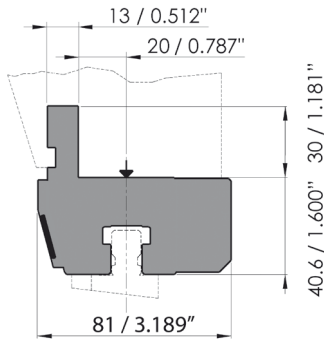


Within the framework of its UPB concept WILA has also included a mechanical clamping system in its program for American Style tools. This is a mechanical system in which the clamping is achieved by a continuous body with clamping plates. The top tools are clamped by manually tightening the clamping plates; the tools are not seated automatically. This mechanical system can be used for both the standard American Style top tools and the American Style top tools WILA re-designed with Safety-Click®.

ASCL-I-HC/ES II



ASCL-I-HC/AS I

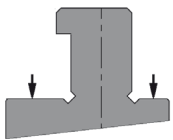


	Standard	Optional
Hydraulic Clamping	●	
Designed for press brakes with European Style II upper beam	●	
Designed for press brakes with European Style I upper beam		○
Cover strip with scale	●	
Guards	●	
Weight	18.5 kg/m – 12.4 lbs/ft	
Max. load shoulders	230 t/m – 77 t/ft	

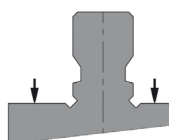
	Standard	Optional
Hydraulic Clamping	●	
Designed for press brakes with American Style I upper beam	●	
Cover strip with scale	●	
Guards	●	
Weight	18.5 kg/m – 12.4 lbs/ft	
Max. load shoulders	230 t/m – 77 t/ft	

Smart Tool Locator® (STL) not available for Clamping with working height under 55 mm/2.165”.

ADAPTION



AS I shoulder load



AS II shoulder load

HYDRAULIC POWER PACKS

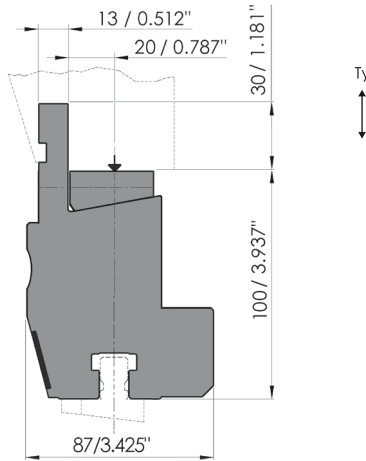


For use in combination with Tool Holders with Hydraulic Clamping. Operation via push button on the power pack, via remote control, or fully integrated in the press brake. See also page 131.

TOOL HOLDERS

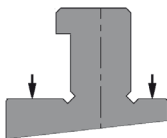
AMERICAN STYLE

ASCL-I-HC-TY/ES II

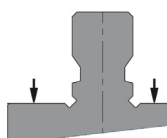


	Standard	Optional
Hydraulic Clamping	●	
Designed for press brakes with European Style II upper beam	●	
Designed for press brakes with European Style I upper beam		○
Cover strip with scale	●	
Ty-alignment	●	
Smart Tool Locator® (STL)		○
Guards	●	
Weight	43 kg/m – 28.8 lbs/ft	
Max. load shoulders	230 t/m – 77 t/ft	

ADAPTION



AS I shoulder load



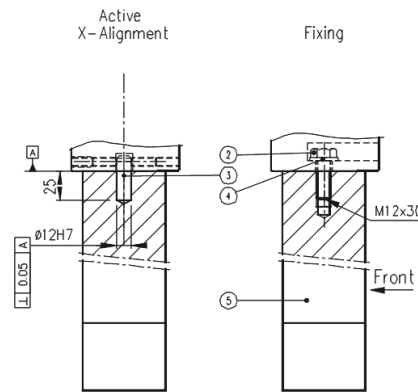
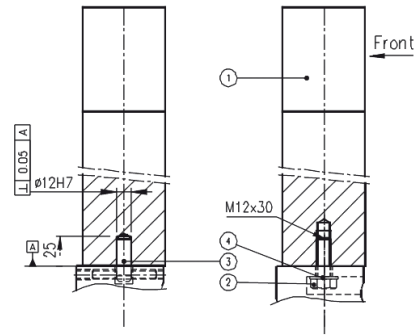
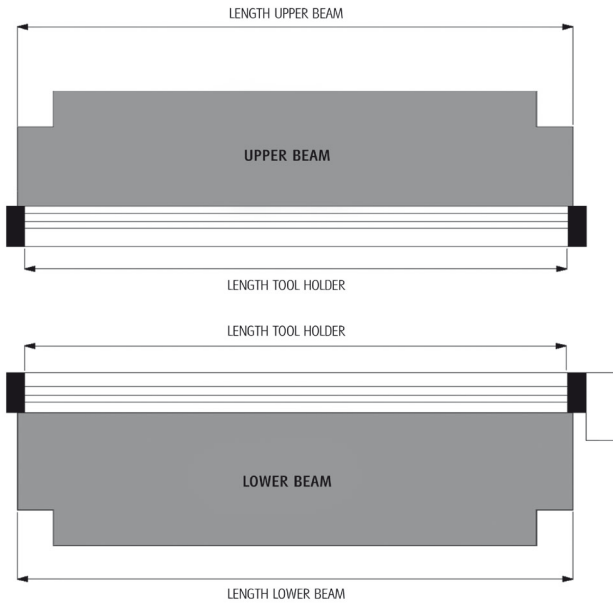
AS II shoulder load

TOOL ADVISOR



This high-end engineering tool allows you to make a decision online about which press brake tools are best suited to your specific bending needs. If the required tool is unavailable as a standard solution, it is possible to immediately design a special tool and order it via the WILA Webshop.

UPPER BEAM



LOWER BEAM

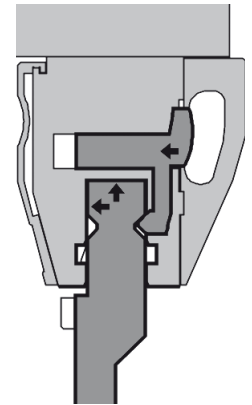
AVAILABLE LENGTHS TOOL HOLDERS	
1020 mm*	5270 mm
1190 mm/4 ft	5440 mm
1275 mm	5610 mm*
1530 mm*	6120 mm*/20 ft
1785 mm/6 ft	6290 mm
2040 mm*	6630 mm*
2210 mm	7140 mm*
2380 mm/8 ft	7310 mm/24 ft
2550 mm*	7650 mm*
2720 mm	8160 mm*
3060 mm*/10 ft	8500 mm/28 ft
3230 mm	8670 mm*
3570 mm*	9180 mm*/30 ft
3655 mm/12 ft	9520 mm
4080 mm*	9690 mm*
4250 mm/14 ft	10200 mm*
4335 mm*	10710 mm*
4420 mm	11220 mm*
4590 mm*	11730 mm*
4845 mm*/16 ft	12240 mm*/40 ft
5100 mm*	

* These Tool Holders are also available with UPB VI and VII pattern (Heavy Duty). For more information about other lengths contact WILA.

TOOL HOLDERS

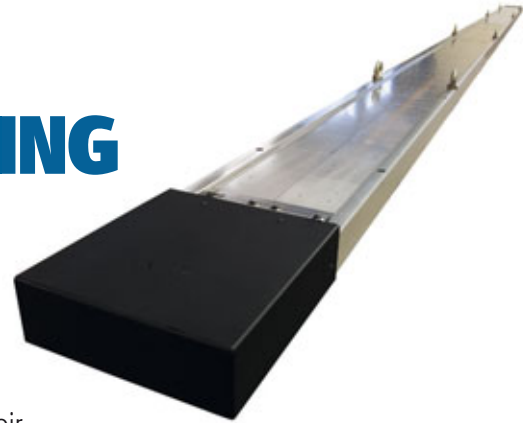


MAXIMUM PULL UP WEIGHT TOP TOOLS (SELF-SEATING)			
	Hydraulic Clamping	Mechanical Clamping	Pneumatic Clamping
Premium			
New Standard Premium Clamping	300 kg/m - 205 lbs/ft	180 kg/m - 123 lbs/ft	100 kg/m - 68 lbs/ft
New Standard HD Premium Clamping	1000 kg/m - 670 lbs/ft	-	-
Pro			
New Standard Pro Clamping	100 kg/m - 68 lbs/ft	180 kg/m - 123 lbs/ft	70 kg/m - 48 lbs/ft
American Style			
American Style Clamping	75 k/m - 52 lbs/ft	-	-



Note: These are maximum pull up weight ratings based on gooseneck style top tools; straight type top tools will have higher weight ratings.

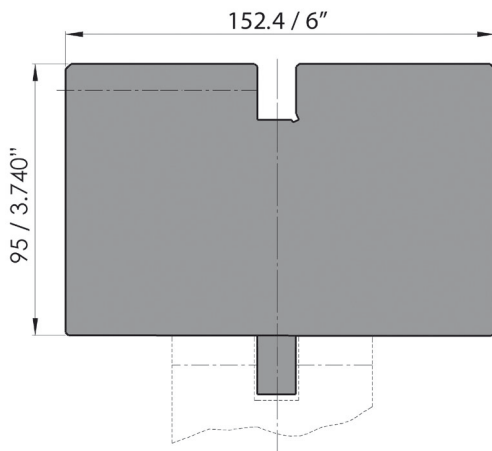
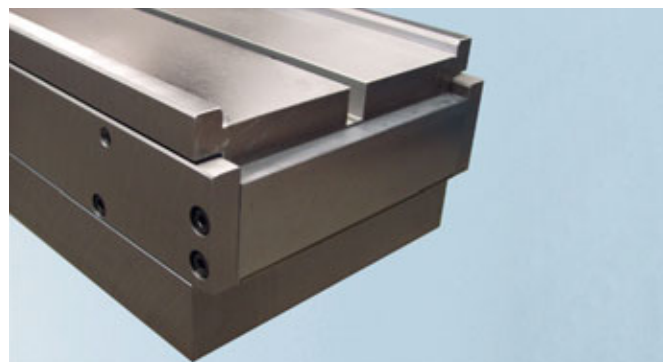
CROWNING CUSTOM STYLE CROWNING



Aside from the standard New Standard Premium and New Standard Pro crowning models, WILA also offers customized crowning systems. These customized crowning systems can be engineered in collaboration with the customer, in order to meet their particular requirements and the tooling style and size range that will be used.

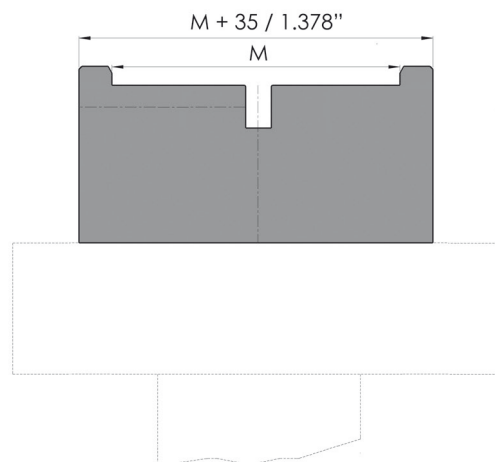
Customized crowning systems have been supplied as long as 15 m/50 ft, as wide as 600 mm/24", and to support a tool weight as heavy as 16000 kg/36000 lbs. Some of the most popular

customized crowning models are 'CSCR-E-WIDE' (with a wider width for using large V-opening dies or 4-Way dies) and 'CSCR-Q' (suitable for both square Multi-V bottom tools and Single-V-Tools).



CSCR-E-WIDE

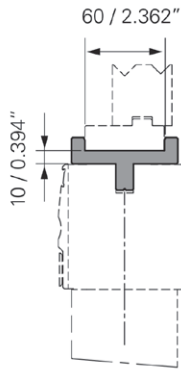
Centrally adjustable crowning system with mechanical clamping and localized Y (Ty) alignment. Suitable for holding single V-tools (New Standard and American Style). Available with A3 Hydraulic Clamping pins as an option. Can be supplied with CNC motor or with H hand crank assembly.



CSCR-Q

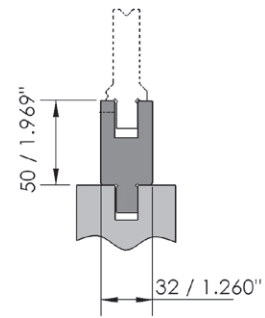
Centrally adjustable crowning system, suitable for holding square bottom tools (M dimensions needed with order) and single V-tools (New Standard and American Style). To be placed on top of the table; with B2 tang mounting optional.

OB-958



	Standard	Optional
Allows for the use of standard European 60mm V dies on WILA tool holders	●	
Weight	10.1 kg/m - 6.8 lbs/ft	
Max. load	200 t/m - 68 t/ft	

OBU-107

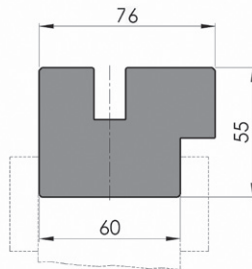


Type	Length	Weight		Max load
		kg	lbs	
OBU-107/1	515 mm	6	13.2	100 t/m 34 t/ft

Die riser to increase working height of existing OZU bottom tools.

OB-953

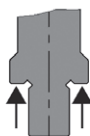
MANUAL CLAMPING



	Standard	Optional
B2, UPB or B3 mounting**		○
Weight	14.7 kg/m - 9.9 lbs/ft	
Can be used for New Standard and American Style single V-tools (available also in 515 mm length)	●	
Max. load shoulders	200 t/m - 68 t/ft	

** Height may increase.

ADAPTION



NS V shoulder load



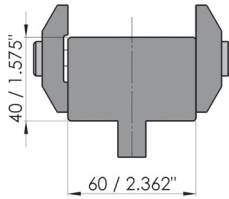
NS VI shoulder load with V-Lock®

BOTTOM TOOL HOLDER OB-958

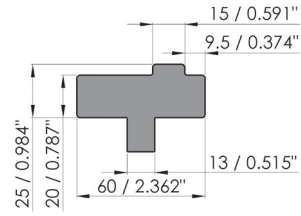


With optional Bottom Tool Holders model OB-958 every Clamping designed for New Standard and American Style bottom tools can be made suitable for European Style bottom tools with a width of 60mm/2.362".

THU-801



THU-802



Type	Length	Weight		Max load
		kg	lbs	
THU-801/1	515 mm	16.4	36.3	100 t/m 34 t/ft

Bottom Tool Holder, American Style to European Style. Working height 40 mm/1.575". Suitable for use in combination with 1 V-bottom tool. Provided with clamping plates type TK-036 on front and back

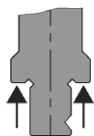
Type	Length	Weight		Max load
		kg	lbs	
THU-802/1	515 mm	6.2	13.6	100 t/m 34 t/ft

Bottom Tool Holder, American Style to European Style. Working height 20 mm/0.787". Suitable for use in combination with 2 V-bottom tool.

TOOL HOLDERS

AMERICAN STYLE

ADAPTION



NS VI shoulder load with V-Lock®

PRESS BRAKE PRODUCTIVITY WAX



Press Brake Productivity Wax is a spray that has been specially developed for cleaning, maintaining and protecting WILA tools.

NEW STANDARD AND AMERICAN STYLE TOOLING

For all types of bending technology

WILA tools are available for practically all conceivable bending applications. The multi-faceted range of New Standard and American Style tools means you are guaranteed to find a suitable solution. Regardless of thickness or specifications, all sheet types can be bent with extreme precision. And an extra long life-span is also guaranteed. WILA's standard Tooling program has been divided into the New Standard Premium, New Standard Pro, American Style and American Vintage product ranges.

CONVERSION:
 1 mm = 0.039"
 1 meter = 3.28 ft.
 1 t/m = 0.336 t/ft. (US)
 1 kg = 2.205 lb.
 1 kg/m = 0.672 lb/ft.

Remarks

FACT SHEET TOOLING AND EXTENDERS

Accuracy

Working surface precision

Durability

High tensile CrMo steel alloy ≥ 1000 N/mm²

High quality tool steel 600-720 N/mm²

Bending radii are CNC-Deeaphardened[®] to minimum 56° HRC, depth ≥ 4 mm

Bending radii are CNC-Deeaphardened[®] to minimum 52° HRC, depth ≥ 2 mm

OZU-ZN (for galvanized sheet)

Flexibility

Easy reversibility because of symmetrical adaption

ATC possible (Gripper, TIPS[®])

Vertical* + horizontal loading *Safety-Clicks[®] required with top tools

Top (BIU/HU/TSU) suitable for all New Standard Premium and Pro Top Tool Holders

Top (BIU/HU/TSU with AS II adaption) suitable for all American Style Top Tool Holders

Bottom (OZU/HU/THU/DD) suitable for all Bottom Tool Holders

Bottom tools V ≤ 60mm equipped with V-Lock[®]

Bottom (OZU/DDU/HU/THU) have 13 mm adaption designed for use on all press brakes with a Clamping Slot 13.5x 22(WxH)

Available with E2M[®]

Available with NS III or NS IV adaption

Bottom tools equipped with NS VI adaption

Available standard lengths	/1 L=515 mm	●	●	●	●	●	●	●	●	●	●	●	●	●
	/2 L=550 mm sectioned	●	●	-	●	●	-	●	-	-	-	-	-	-
	/3 L=200 mm sectioned	●	●	-	●	●	-	●	-	-	-	-	-	-
	/4 L=150 mm	-	-	-	-	-	-	-	-	-	-	-	●	-
	/6 L=200 mm	●	●	-	●	●	-	●	-	-	-	-	-	-
	/7 L=20 inch	-	-	-	-	-	-	-	●	-	-	-	-	-
	/8 L=18.5 inch	-	-	-	●	●	●	-	●	-	-	-	-	-
	/9 L=2x4 inch	●	-	●	●	●	-	-	●	-	-	-	-	-
	/10 L=475 mm sectioned	-	-	-	●	●	●	-	-	-	-	-	-	-
	/11 L= 200 mm sections	●	-	-	●	●	●	-	-	-	-	-	-	-
	/12 L=255 mm	●	-	●	●	●	-	-	-	-	-	-	-	-

Max. length

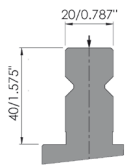
Automatically adjustable V-opening	-	-	-	-	-	-	-	-	-	6-51 mm	24-400 mm	-	-	-	-
Automatic seating and aligning of the tooling	●	●	●	●	●	●	●	●	●	-	-	●	-	●	●
Fast tool changing	●	●	●	●	●	●	●	●	●	●	●	●	●	●	●
Adjustment	CNC	-	-	-	-	-	-	-	-	●	○	-	-	-	-
	H	-	-	-	-	-	-	-	-	○	●	-	-	-	-
Use of Safety-Clicks [®] ≤ 12.5 kg	●	●	●	●	○	●	●	●	-	-	-	-	-	(TSU/4)	-
Use of E2M [®]	○	○	○	○	○	○	-	-	-	-	-	-	-	○	○

Safety

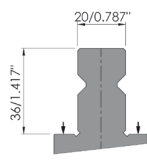
Equipped with Safety-Clicks [®] up to 12.5 kg	●	●	-	●	○	●	●	●	-	-	-	-	-	(TSU-028/030)	-
Equipped with Safety-Pins > 12.5 kg	●	●	-	●	-	●	●	●	-	-	-	-	-	●	●
Equipped with E2M [®] > 12.5 kg	○	○	○	○	○	○	-	-	-	-	-	-	-	○	○

● - Standard ○ - Optional - - Not available

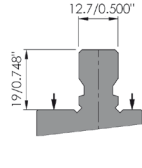
Remarks	FACT SHEET TOOLING AND EXTENDERS														
	New Standard Premium top and bottom tools					New Standard Pro	American		Adjustable bottom tools		Flattening tools	Inserts	Tool Extenders		
	New Standard Premium	New Standard HD Premium		New Standard BM Premium	New Standard OM Premium		American Style	American Vintage	Multi-V Matic	Multi-V	DDU	INZU RU	TSU/HU/TS	HU/THU/DD/OB 958	
	Top	Bottom	Tools with special geometry									Top	Bottom		
Working surface precision	+++	+++	+++	+++	+++	++	++	++	++	++	++	++	++	++	
High tensile CrMo steel alloy ≥ 1000 N/mm ²	●	●	●	●	●	-	●	-	●	●	-	-	-	○ (DD)	
High quality tool steel 600-720 N/mm ²	-	-	OZU-HD	-	-	●	-	●	-	-	●	●	●	●	
Bending radii are CNC-Deeaphardened [®] to minimum 56° HRC, depth ≥ 4 mm	●	●	●	●	●	-	●	-	●	●	-	●	-	-	
Bending radii are CNC-Deeaphardened [®] to minimum 52° HRC, depth ≥ 2 mm	-	-	-	-	-	●	-	●	-	-	●	-	-	-	
OZU-ZN (for galvanized sheet)	○	-	-	○	○	○	○	○	○	-	-	-	-	-	
Easy reversibility because of symmetrical adaption	●	●	●	●	●	●	●	●	-	-	-	-	●	-	
ATC possible (Gripper, TIPS [®])	●	-	-	-	-	-	-	-	-	-	-	-	-	-	
Vertical* + horizontal loading *Safety-Clicks [®] required with top tools	●	●	-	●	-	●	●	●	-	-	-	-	●	●	
Top (BIU/HU/TSU) suitable for all New Standard Premium and Pro Top Tool Holders	●	●	-	●	-	●	-	●	-	-	-	-	●	-	
Top (BIU/HU/TSU with AS II adaption) suitable for all American Style Top Tool Holders	-	-	-	-	-	-	●	●	-	-	-	-	●	-	
Bottom (OZU/HU/THU/DD) suitable for all Bottom Tool Holders	●	-	●	-	-	●	●	●	-	-	-	-	-	●	
Bottom tools V ≤ 60mm equipped with V-Lock [®]	●	●	-	●	-	●	●	●	-	-	-	-	●	●	
Bottom (OZU/DDU/HU/THU) have 13 mm adaption designed for use on all press brakes with a Clamping Slot 13.5x 22(WxH)	●	-	●	-	-	●	●	●	○	○	●	-	-	-	
Available with E2M [®]	○	○	○	○	○	○	-	-	-	-	-	-	-	○	○
Available with NS III or NS IV adaption	-	-	-	-	○	-	-	-	-	-	-	-	-	-	-
Bottom tools equipped with NS VI adaption	●	-	●	-	●	●	●	●	-	-	●	-	-	●	
Max. length	515 mm 20 inch	515 mm 20 inch	515 mm 20 inch	515 mm 20 inch	515 mm 20 inch	515 mm 20 inch	515 mm 20 inch	515 mm 20 inch	6200 mm	-	515 mm 20 inch	515 mm 20 inch	515 mm 20"/TS machine length	515 mm 20"/DD +OB 958 machine length	
Automatically adjustable V-opening	-	-	-	-	-	-	-	-	-	6-51 mm	24-400 mm	-	-	-	-
Automatic seating and aligning of the tooling	●	●	●	●	●	●	●	●	●	-	-	●	-	●	●
Fast tool changing	●	●	●	●	●	●	●	●	●	●	●	●	●	●	●
Adjustment															
Use of Safety-Clicks [®] ≤ 12.5 kg	●	●	●	●	○	●	●	●	-	-	-	-	-	(TSU/4)	-
Use of E2M [®]	○	○	○	○	○	○	-	-	-	-	-	-	-	○	○
Equipped with Safety-Clicks [®] up to 12.5 kg	●	●	-	●	○	●	●	●	-	-	-	-	-	(TSU-028/030)	-
Equipped with Safety-Pins > 12.5 kg	●	●	-	●	-	●	●	●	-	-	-	-	-	●	●
Equipped with E2M [®] > 12.5 kg	○	○	○	○	○	○	-	-	-	-	-	-	-	○	○



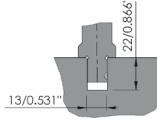
NS I
New Standard I
adaption



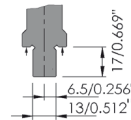
NS II
New Standard II
adaption



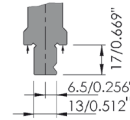
AS II
American Style II
adaption



Tool slot to suit for NS V
and NS VI adaption



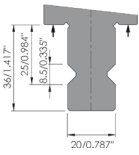
NS V
New Standard V
adaption



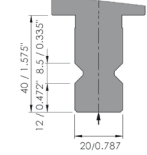
NS VI
New Standard VI
adaption with V-Lock®



E2M®
For bottom tools
> 12.5 kg/28 lbs



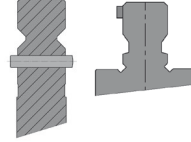
NS IV
New Standard I
adaption



NS III
New Standard II
adaption



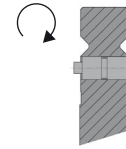
Safety-Click®
Applicable for tool weight
up to 12.5 kg/28 lbs.
(NS I + II + AS II)



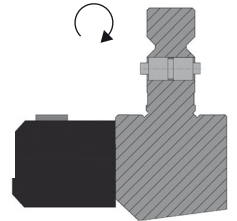
Safety-Pin / Safety-Key
Applicable for tool weight
> 12,5kg/28lbs - < 25kg/56 lbs.
(NS I + II) /
> 12,5kg/28 lbs - < 150kg/331 lbs
(AS II)



HD Safety-Pin
Applicable for tool weight
> 12.5 kg/28 lbs -
< 150 kg/331 lbs.
(NS I + II)

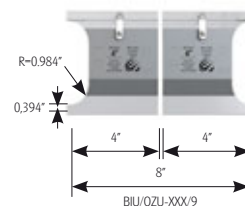
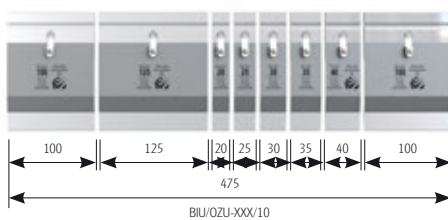
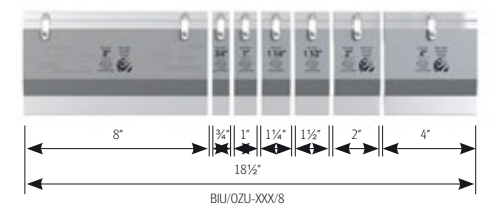
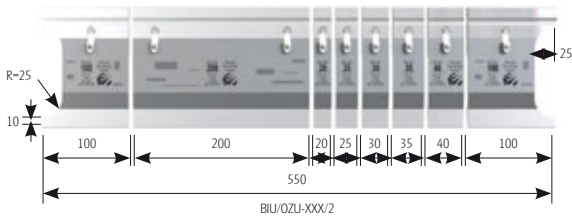
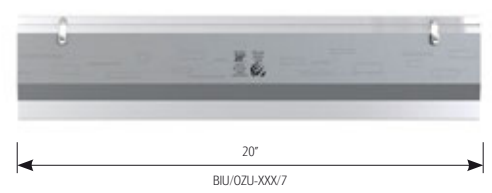
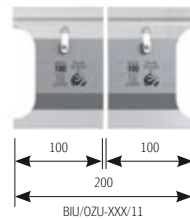
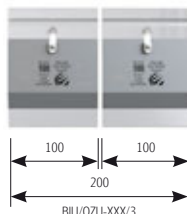


E2M®-HD
Applicable for tool
weight > 12,5 kg/28 lbs -
< 100 kg/220 lbs
(NS I & II)



Additional roller bearing for
large Gooseneck tools
equipped with E2M®.
(NS I + II)

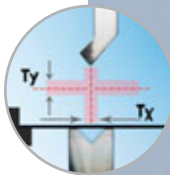
Indication	Premium		Pro		American Style		American Vintage		AVAILABLE LENGTHS NEW STANDARD TOOLING AND AMERICAN TOOLING
	Top	Bottom	Top	Bottom	Top	Bottom	Top	Bottom	
/1	●	●	●	●	●	●	-	-	L=515 mm
/2	●	●	-	-	●	●	-	-	L=550 mm (horn left & right L=100 mm - 20-25-30-35-40-200 mm (OZU bottom tools no horns)
/3	●	●	-	●	●	●	-	-	L=200 mm (100-100 mm) no horns
/6	●	●	-	-	●	●	-	-	L=200 mm
/7	-	-	-	-	-	-	●	●	L=20 inch
/8	-	-	-	-	-	-	●	●	L=18.5 inch (4"-¾"-1"-1¼"-1½"-2"-8", OZU bottom tools no horns)
/9	-	-	-	-	-	-	●	●	L=8 inch (4" horn left - 4" horn right, OZU bottom tools no horns)
/10	-	-	●	●	-	-	-	-	L=475 mm (20-25-30-35-40-125-100-100) no horns
/11	●	-	●	-	-	-	-	-	L=200 mm (horn left & right L=100-100 mm)
/12	●	●	-	-	-	●	-	-	L=255 mm



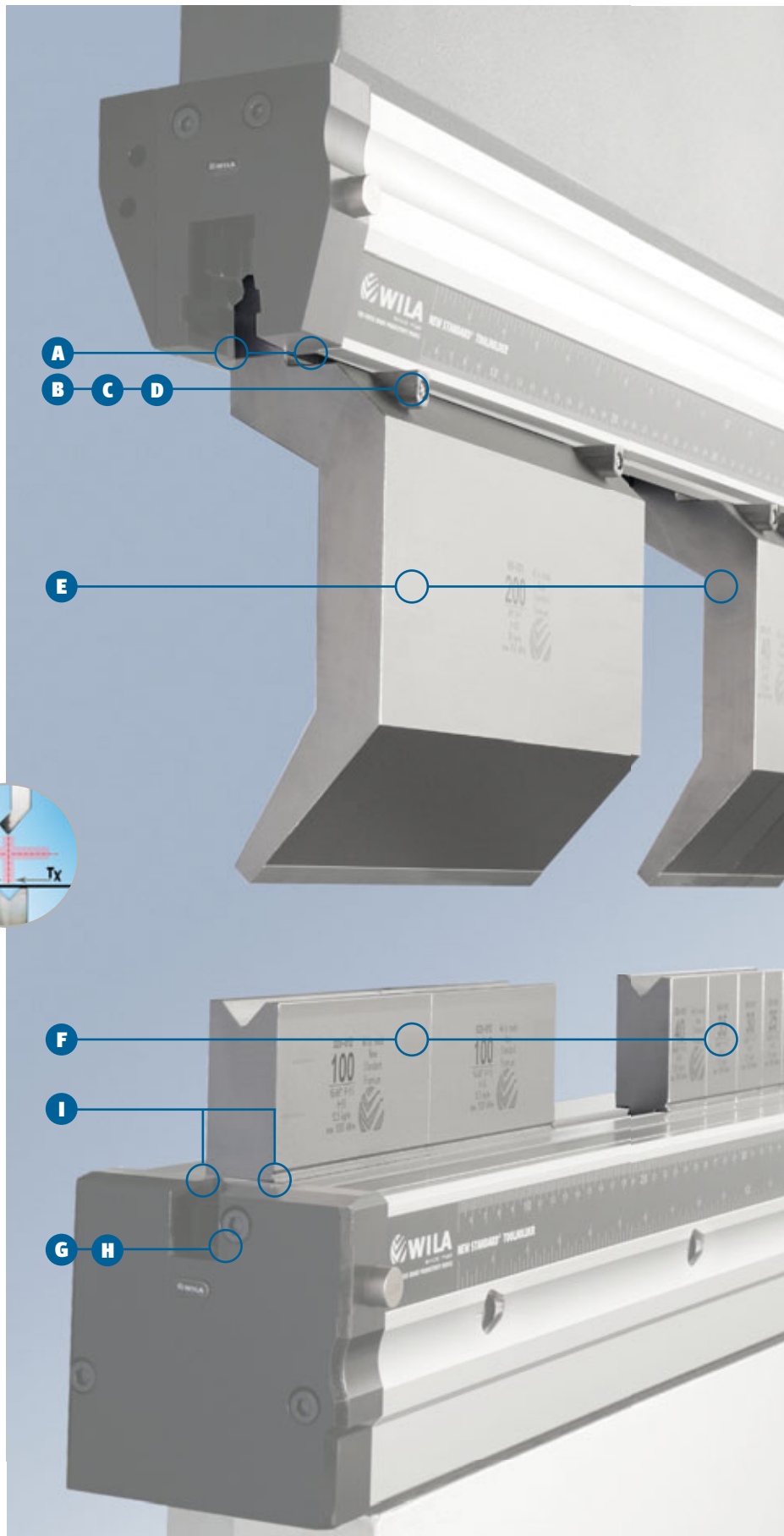
- A** New Standard Premium & New Standard Pro top tools are manufactured as either 'head' or 'shoulder' load tools. American Style & American Vintage top tools come as 'Shoulder' load tools only.
- B** New Standard Premium, New Standard Pro, American Style & American Vintage top tools weighing up to 12.5 kg/28 lbs come with our patented Safety-Click® button, for fast and safe vertical loading and unloading.
- C** New Standard Premium and New Standard Pro top tools weighing over 12.5 kg/28 lbs can be equipped as an option with our patented E2M® - Easy to Move - roller bearing system, for extremely easy horizontal loading and unloading.
- D** New Standard Premium, New Standard Pro, American Style & American Vintage top tools weighing over 12.5 kg/28 lbs come with fixed Safety-Pins, for safe horizontal loading and unloading.
- E** New Standard Premium, New Standard Pro, American Style & American Vintage top tools can be easily reversed for additional bending freedom, such as for clearing a reverse flange.

Tx/Ty

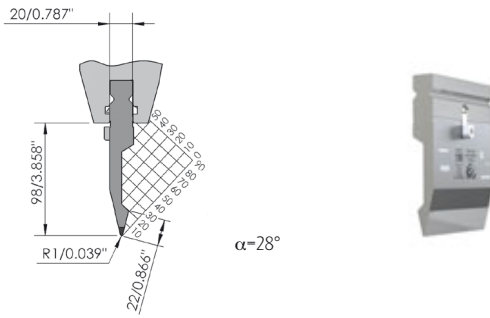
Perfect alignment of tools in horizontal (Tx) and vertical (Ty) direction is key to optimum bend results.



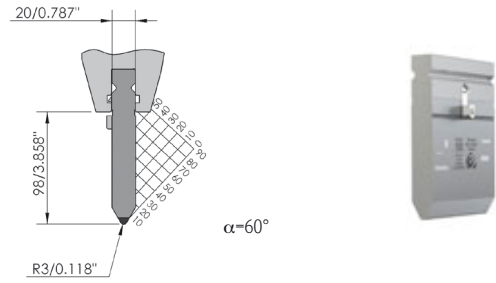
- F** New Standard Premium, New Standard Pro, American Style & American Vintage bottom tools can be loaded and unloaded horizontally (sliding in & out) or vertically.
- G** New Standard Premium, New Standard Pro, American Style & American Vintage bottom tools can be equipped with our patented E2M® - Easy to Move - roller bearing system, for extremely easy horizontal loading and unloading.
- H** New Standard Premium, New Standard Pro, American Style & American Vintage bottom tools, with V ≤ 60 mm, come with our patented V-Lock® self seating system, for maximum accuracy and safety during bending.
- I** New Standard Premium, New Standard Pro, American Style & American Vintage bottom tools come as 'shoulder' load tools.



BIU-001



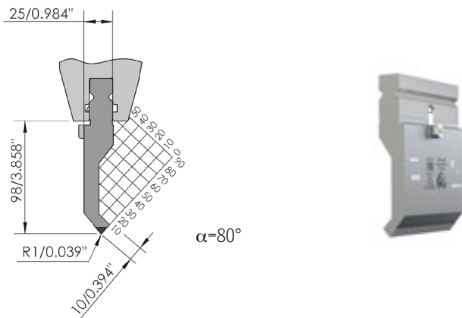
BIU-004



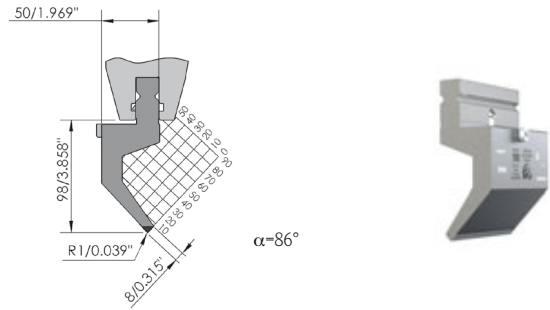
Type	Length	Weight		Max load
		kg	lbs	
BIU-001/1	515 mm	7.5	16.4	100 t/m 34 t/ft
BIU-001/2*	550 mm - sectioned	8.0	17.6	
BIU-001/3*	200 mm - sectioned	2.9	6.4	
BIU-001/6	200 mm	2.9	6.4	
BIU-001/11	200 mm - sectioned, horns	2.3	5.1	
BIU-001/12	255 mm	3.6	7.9	

Type	Length	Weight		Max load
		kg	lbs	
BIU-004/1	515 mm	10.6	23.3	160 t/m 54 t/ft
BIU-004/2*	550 mm - sectioned	11.3	24.8	
BIU-004/3*	200 mm - sectioned	4.1	9.0	
BIU-004/6	200 mm	4.1	9.0	
BIU-004/11	200 mm - sectioned, horns	3.3	7.3	
BIU-004/12	255 mm	5.2	11.5	

BIU-002



BIU-003



Type	Length	Weight		Max load
		kg	lbs	
BIU-002/1	515 mm	9.1	20.1	100 t/m 34 t/ft
BIU-002/2*	550 mm - sectioned	9.7	21.4	
BIU-002/3*	200 mm - sectioned	3.5	7.8	
BIU-002/6	200 mm	3.5	7.8	
BIU-002/11	200 mm - sectioned, horns	2.8	6.2	
BIU-002/12	255 mm	4.4	9.7	

Type	Length	Weight		Max load
		kg	lbs	
BIU-003/1	515 mm	12.4	27.2	65 t/m 22 t/ft
BIU-003/2*	550 mm - sectioned	13.2	29.1	
BIU-003/3*	200 mm - sectioned	4.8	10.6	
BIU-003/6	200 mm	4.8	10.6	
BIU-003/11	200 mm - sectioned, horns	3.7	8.2	
BIU-003/12	255 mm	5.8	12.8	

* Individual tool sections also available.

ADAPTION



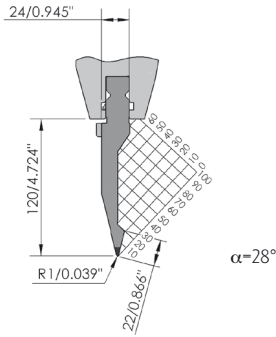
NS I head load

WEBSHOP

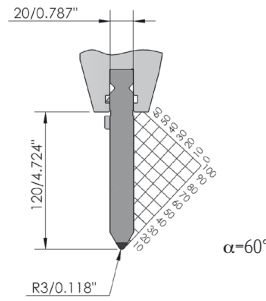


The WILA Webshop features a comprehensive overview of WILA's top and bottom tools. The Webshop can be used to directly request quotes, check prices, find delivery times and place orders. Create your account via: webshop.wilausa.com

BIU-011



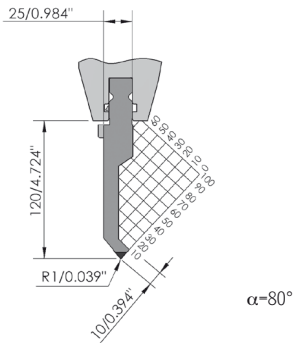
BIU-014



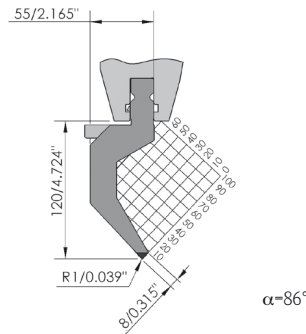
Type	Length	Weight		Max load
		kg	lbs	
BIU-011/1	515 mm	9.5	21.0	100 t/m 34 t/ft
BIU-011/2*	550 mm - sectioned	10.2	22.4	
BIU-011/3*	200 mm - sectioned	3.7	8.1	
BIU-011/6	200 mm	3.7	8.1	
BIU-011/11	200 mm - sectioned, horns	6.4	14.1	
BIU-011/12	255 mm	4.6	10.1	

Type	Length	Weight		Max load
		kg	lbs	
BIU-014/1	515 mm	12.2	26.9	160 t/m 54 t/ft
BIU-014/2*	550 mm - sectioned	13.0	28.7	
BIU-014/3*	200 mm - sectioned	4.7	10.4	
BIU-014/6	200 mm	4.7	10.4	
BIU-014/11	200 mm - sectioned, horns	3.8	8.4	
BIU-014/12	255 mm	6.1	13.4	

BIU-012



BIU-013



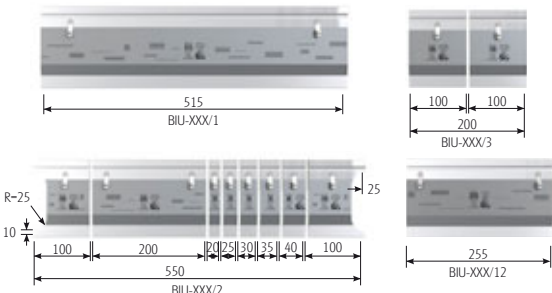
Type	Length	Weight		Max load
		kg	lbs	
BIU-012/1	515 mm	9.8	21.6	100 t/m 34 t/ft
BIU-012/2*	550 mm - sectioned	10.5	23.1	
BIU-012/3*	200 mm - sectioned	3.8	8.4	
BIU-012/6	200 mm	3.8	8.4	
BIU-012/11	200 mm - sectioned, horns	3.1	6.8	
BIU-012/12	255 mm	4.9	10.8	

Type	Length	Weight		Max load
		kg	lbs	
BIU-013/1**	515 mm	15.5	34.0	65 t/m 22 t/ft
BIU-E2M-013/1	515 mm	15.5	34.0	
BIU-013/2*	550 mm - seccionada	16.5	36.3	
BIU-013/3*	200 mm - seccionada	6.0	13.2	
BIU-013/6	200 mm	6.0	13.2	
BIU-013/11	200 mm - sectioned, horns	4.6	10.1	
BIU-013/12	255 mm	8.8	19.4	

* Individual tool sections also available. ** Provided with fixed Safety-Pins (see page 42).

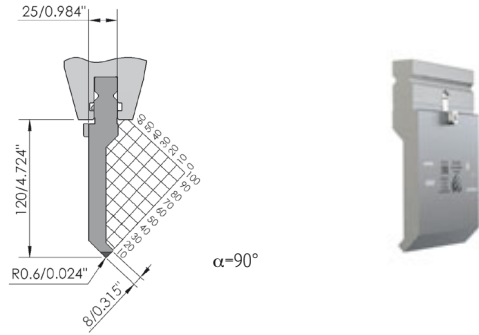
SEGMENTED TOOLING PROVIDES COMPLETE FLEXIBILITY

Create any desired tooling length from 20 mm/0.787" to machine length in 5 mm/0.197" increments by combining tool segments.

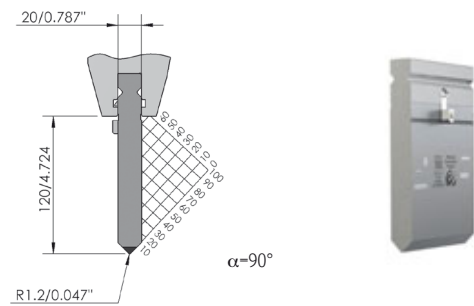


Examples of tool segments combined for various machine lengths			
550 mm/ 21.654" segmented set	255 mm 10.039"	515 mm 20.276"	Total length
1	1	1	1320 mm/52"
1	1	2	1835 mm/72.2"
1	2	3	2605 mm/102.6"
1		5	3125 mm/123"
1		6	3640 mm/143.3"
1	1	7	4410 mm/173.6"

BIU-015



BIU-016



Type	Length	Weight		Max load
		kg	lbs	
BIU-015/1	515 mm	11.0	24.2	60 t/m 20 t/ft
BIU-015/2*	550 mm - sectioned	11.7	25.8	
BIU-015/3*	200 mm - sectioned	4.3	9.4	
BIU-015/6	200 mm	4.3	9.4	
BIU-015/11	200 mm - sectioned, horns	3.4	7.5	
BIU-015/12	255 mm	5.3	11.7	

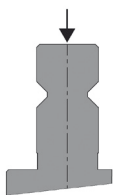
Type	Length	Weight		Max load
		kg	lbs	
BIU-016/1	515 mm	12.4	27.3	100 t/m 34 t/ft
BIU-016/2*	550 mm - sectioned	13.3	29.2	
BIU-016/3*	200 mm - sectioned	4.8	10.6	
BIU-016/6	200 mm	4.8	10.6	
BIU-016/11	200 mm - sectioned, horns	4.3	9.5	
BIU-016/12	255 mm	6.1	13.4	

TOOLING

NEW STANDARD PREMIUM

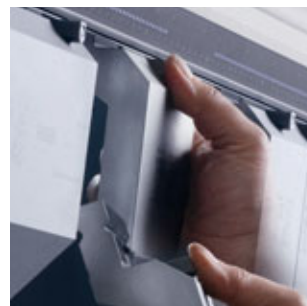
* Individual tool sections also available.

ADAPTION



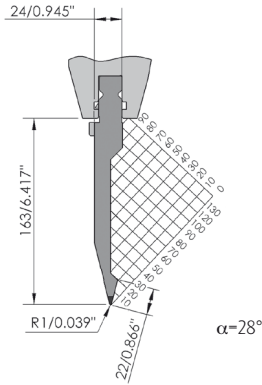
NS I head load

SAFETY-CLICK®

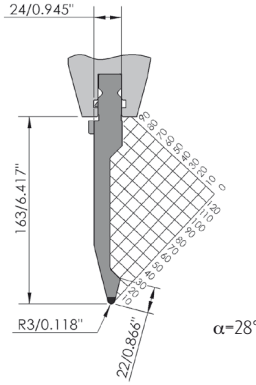


The Safety-Click® is WILA's patented safety mechanism which has been integrated into top tools with a weight up to 12.5 kg/28 lbs. This revolutionary mechanism allows tools to be changed vertically by simply clicking them in and out of the Clamping.

BIU-021



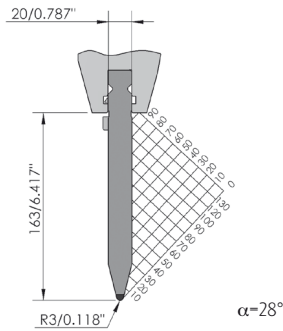
BIU-221



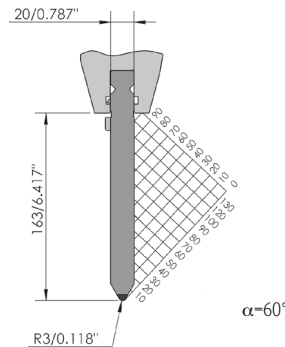
Type	Length	Weight		Max load
		kg	lbs	
BIU-021/1	515 mm	12.4	27.2	70 t/m 24 t/ft
BIU-021/2*	550 mm - sectioned	13.2	29.1	
BIU-021/3*	200 mm - sectioned	4.8	10.6	
BIU-021/6	200 mm	4.8	10.6	
BIU-021/11	200 mm - sectioned, horns	3.7	8.2	
BIU-021/12	255 mm	6.0	13.2	

Type	Length	Weight		Max load
		kg	lbs	
BIU-221/1	515 mm	12.5	27.6	100 t/m 34 t/ft
BIU-221/2*	550 mm - sectioned	13.4	29.4	
BIU-221/3*	200 mm - sectioned	4.9	10.7	
BIU-221/6	200 mm	4.9	10.7	
BIU-221/11	200 mm - sectioned, horns	3.8	8.4	
BIU-221/12	255 mm	6.2	13.7	

BIU-029



BIU-024



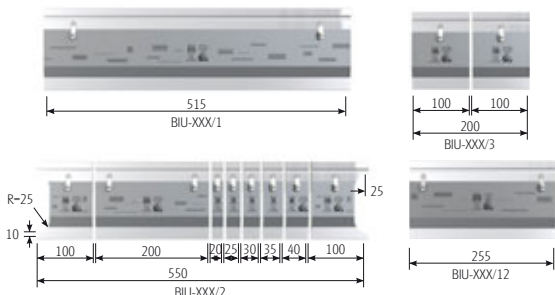
Type	Length	Weight		Max load
		kg	lbs	
BIU-029/1**	515 mm	15.6	34.4	160 t/m 54 t/ft
BIU-E2M-029/1	515 mm	15.6	34.4	
BIU-029/2*	550 mm - sectioned	16.7	36.7	
BIU-029/3*	200 mm - sectioned	6.1	13.3	
BIU-029/6	200 mm	6.1	13.3	
BIU-029/11	200 mm - sectioned, horns	4.7	10.4	
BIU-029/12	255 mm	7.6	16.8	

Type	Length	Weight		Max load
		kg	lbs	
BIU-024/1**	515 mm	16.0	35.2	160 t/m 54 t/ft
BIU-E2M-024/1	515 mm	16.0	35.2	
BIU-024/2*	550 mm - sectioned	17.1	37.6	
BIU-024/3*	200 mm - sectioned	6.2	13.7	
BIU-024/6	200 mm	6.2	13.7	
BIU-024/11	200 mm - sectioned, horns	4.8	10.6	
BIU-024/12	255 mm	7.9	17.4	

* Individual tool sections also available. ** Provided with fixed Safety-Pins (see page 42).

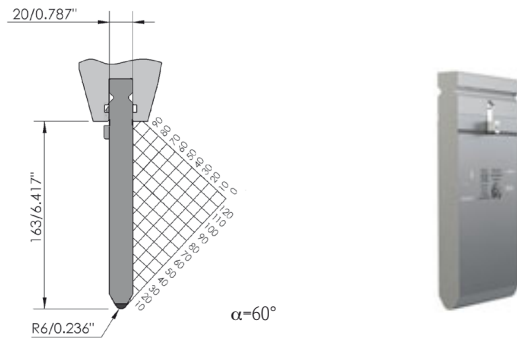
SEGMENTED TOOLING PROVIDES COMPLETE FLEXIBILITY

Create any desired tooling length from 20 mm/0.787" to machine length in 5 mm/0.197" increments by combining tool segments.

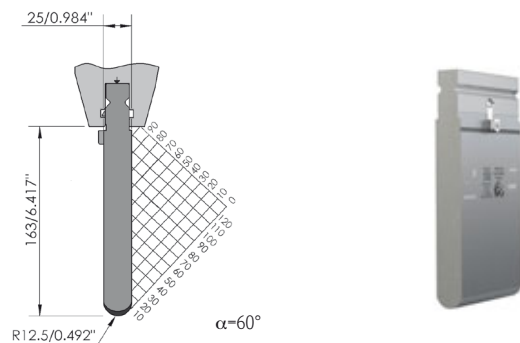


Examples of tool segments combined for various machine lengths			
550 mm/ 21.654" segmented set	255 mm 10.039"	515 mm 20.276"	Total length
1	1	1	1320 mm/52"
1	1	2	1835 mm/72.2"
1	2	3	2605 mm/102.6"
1		5	3125 mm/123"
1		6	3640 mm/143.3"
1	1	7	4410 mm/173.6"

BIU-222



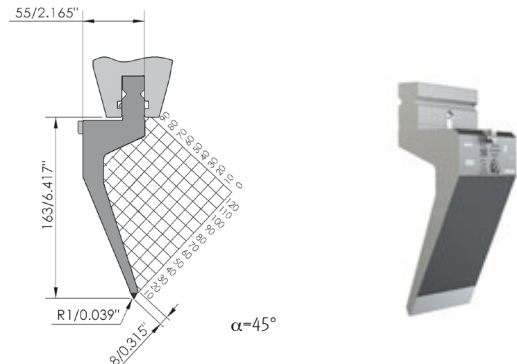
BIU-223



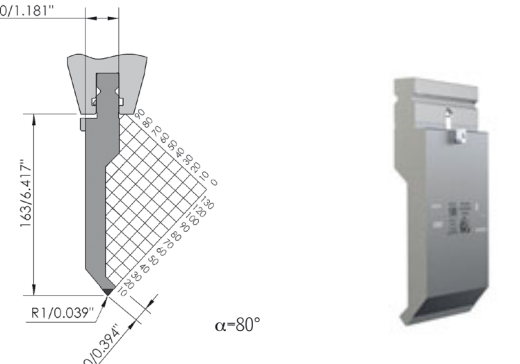
Type	Length	Weight		Max load
		kg	lbs	
BIU-222/1**	515 mm	15.8	34.9	160 t/m 54 t/ft
BIU-E2M-222/1	515 mm	15.8	34.9	
BIU-222/2*	550 mm - sectioned	16.9	37.2	
BIU-222/3*	200 mm - sectioned	6.2	13.5	
BIU-222/6	200 mm	6.2	13.5	
BIU-222/11	200 mm - sectioned, horns	5.0	11.0	
BIU-222/12	255 mm	8.0	17.6	

Type	Length	Weight		Max load
		kg	lbs	
BIU-223/1**	515 mm	18.9	41.7	225 t/m 76 t/ft
BIU-E2M-223/1	515 mm	18.9	41.7	
BIU-223/2*	550 mm - sectioned	20.2	44.5	
BIU-223/3*	200 mm - sectioned	7.4	16.3	
BIU-223/6	200 mm	7.4	16.3	
BIU-223/11	200 mm - sectioned, horns	5.9	13.0	
BIU-223/12	255 mm	8.1	17.9	

BIU-226



BIU-022

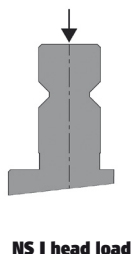


Type	Length	Weight		Max load
		kg	lbs	
BIU-226/1**	515 mm	15.2	33.5	40 t/m 13 t/ft
BIU-E2M-226/1	515 mm	15.2	33.5	
BIU-226/2*	550 mm - sectioned	16.2	35.7	
BIU-226/3*	200 mm - sectioned	5.9	13.0	
BIU-226/6	200 mm	5.9	13.0	
BIU-226/11	200 mm - sectioned, horns	4.5	10.1	
BIU-226/12	255 mm	7.5	16.5	

Type	Length	Weight		Max load
		kg	lbs	
BIU-022/1**	515 mm	16.2	35.7	80 t/m 27 t/ft
BIU-E2M-022/1	515 mm	16.2	35.7	
BIU-022/2*	550 mm - sectioned	17.3	38.2	
BIU-022/3*	200 mm - sectioned	6.3	13.9	
BIU-022/6	200 mm	6.3	13.9	
BIU-022/11	200 mm - sectioned, horns	4.9	10.8	
BIU-022/12	255 mm	7.9	17.4	

* Individual tool sections also available. ** Provided with fixed Safety-Pins (See page 42).

ADAPTION

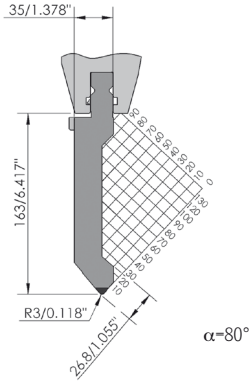


E2M® SAFETY ROLLER BEARING

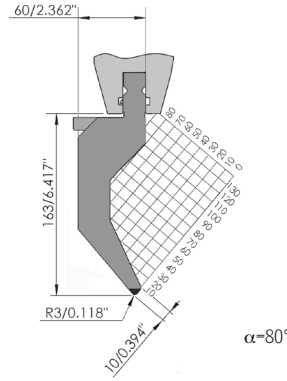


New Standard E2M® top and bottom tools are equipped with special (pre-assembled) bearings, which allow you to move the tools laterally in a non-clamped state quickly and safely.

BIU-026



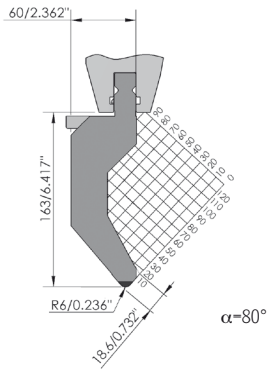
BIU-225



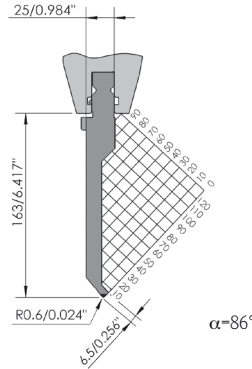
Type	Length	Weight		Max load
		kg	lbs	
BIU-026/1**	515 mm	19.6	43.1	140 t/m 47 t/ft
BIU-E2M-026/1	515 mm	19.6	43.1	
BIU-026/2*	550 mm - sectioned	20.9	46.0	
BIU-026/3*	200 mm - sectioned	7.6	16.7	
BIU-026/6	200 mm	7.6	16.7	
BIU-026/11	200 mm - sectioned, horns	6.0	13.2	
BIU-026/12	255 mm	9.8	21.6	

Type	Length	Weight		Max load
		kg	lbs	
BIU-225/1**	515 mm	24.6	54.2	90 t/m 30 t/ft
BIU-E2M-225/1	515 mm	24.6	54.2	
BIU-225/2*	550 mm - sectioned	26.2	57.9	
BIU-225/3*	200 mm - sectioned	9.6	21.1	
BIU-225/6	200 mm	9.6	21.1	
BIU-225/11	200 mm - sectioned, horns	7.4	16.3	
BIU-225/12	255 mm	12.2	26.9	

BIU-025



BIU-224



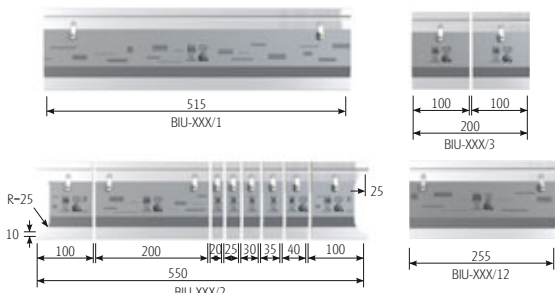
Type	Length	Weight		Max load
		kg	lbs	
BIU-025/1**	515 mm	27.7	61.0	130 t/m 44 t/ft
BIU-E2M-025/1	515 mm	27.7	61.0	
BIU-025/2*	550 mm - sectioned	29.6	65.2	
BIU-025/3*	200 mm - sectioned	10.8	23.7	
BIU-025/6	200 mm	10.8	23.7	
BIU-025/11	200 mm - sectioned, horns	8.2	18.1	
BIU-025/12**	255 mm	13.5	29.8	

Type	Length	Weight		Max load
		kg	lbs	
BIU-224/1	515 mm	12.2	26.9	45 t/m 15 t/ft
BIU-224/2*	550 mm - sectioned	17.3	38.1	
BIU-224/3*	200 mm - sectioned	4.7	10.4	
BIU-224/6	200 mm	4.7	10.4	
BIU-224/11	200 mm - sectioned, horns	3.9	8.6	
BIU-224/12	255 mm	7.9	17.4	

* Individual tool sections also available. ** Provided with fixed Safety-Pins (see page 42).

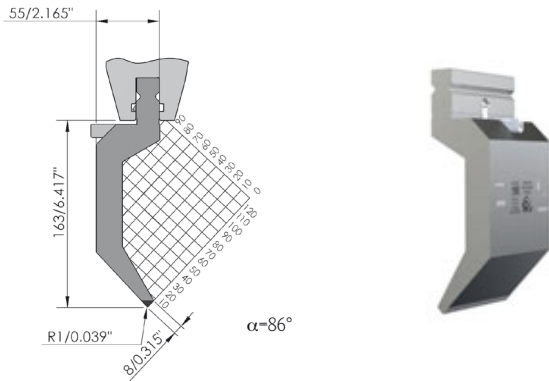
SEGMENTED TOOLING PROVIDES COMPLETE FLEXIBILITY

Create any desired tooling length from 20 mm/0.787" to machine length in 5 mm/0.197" increments by combining tool segments.



Examples of tool segments combined for various machine lengths			
550 mm/ 21.654" segmented set	255 mm 10.039"	515 mm 20.276"	Total length
1	1	1	1320 mm/52"
1	1	2	1835 mm/72.2"
1	2	3	2605 mm/102.6"
1		5	3125 mm/123"
1		6	3640 mm/143.3"
1	1	7	4410 mm/173.6"

BIU-023



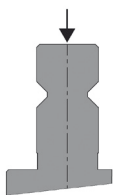
Type	Length	Weight		Max load
		kg	lbs	
BIU-023/1**	515 mm	19.6	43.1	65 t/m 22 t/ft
BIU-E2M-023/1	515 mm	19.6	43.1	
BIU-023/2*	550 mm - sectioned	20.9	46.0	
BIU-023/3*	200 mm - sectioned	7.6	16.7	
BIU-023/6	200 mm	7.6	16.7	
BIU-023/11	200 mm - sectioned, horns	5.8	12.8	
BIU-023/12	255 mm	9.5	20.9	

TOOLING

NEW STANDARD PREMIUM

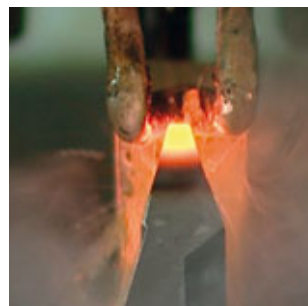
* Individual tool sections also available. ** Provided with fixed Safety-Pins (see page 42).

ADAPTION



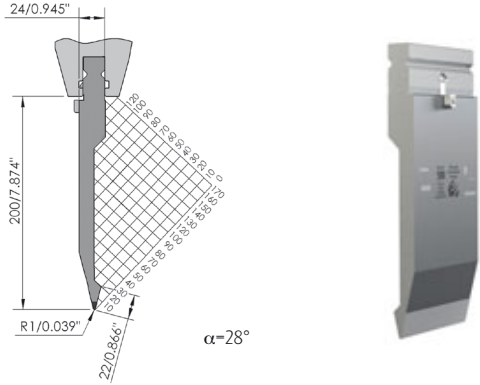
NS I head load

CNC-DEEPHARDENING®

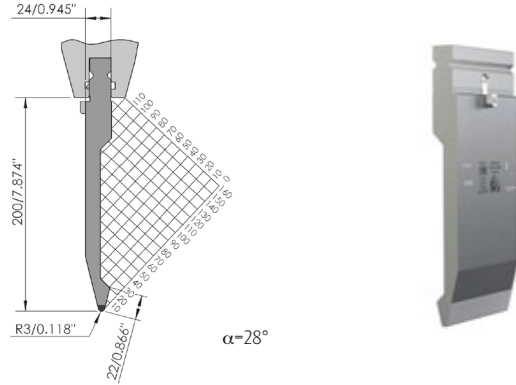


Almost all press brake tools produced by WILA are CNC-Deephardenen®. The same applies to WILA's New Standard Premium Tool Holders. This makes them extremely robust and durable. Our New Standard Premium and American Style top and bottom tools are hardened as shown here.

BIU-031



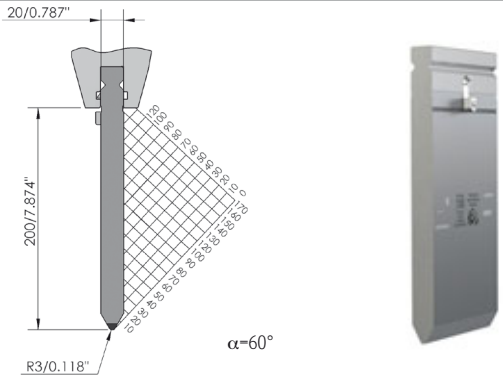
BIU-231



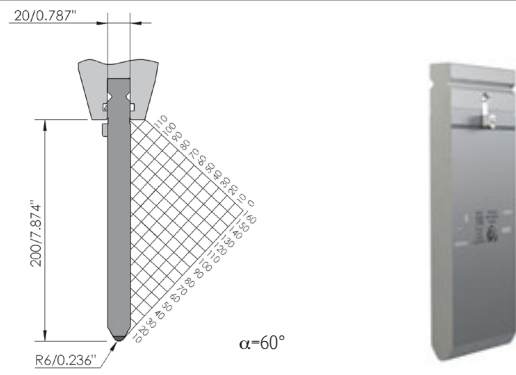
Type	Length	Weight		Max load
		kg	lbs	
BIU-031/1**	515 mm	15.0	33.1	60 t/m 20 t/ft
BIU-E2M-031/1	515 mm	15.0	33.1	
BIU-031/2*	550 mm - sectioned	16.1	35.4	
BIU-031/3*	200 mm - sectioned	5.8	12.9	
BIU-031/6	200 mm	5.8	12.9	
BIU-031/11	200 mm - sectioned, horns	4.5	9.9	
BIU-031/12	255 mm	7.3	16.1	

Type	Length	Weight		Max load
		kg	lbs	
BIU-231/1**	515 mm	15.2	33.5	100 t/m 34 t/ft
BIU-E2M-231/1	515 mm	15.2	33.5	
BIU-231/2*	550 mm - sectioned	16.2	35.8	
BIU-231/3*	200 mm - sectioned	5.9	13.0	
BIU-231/6	200 mm	5.9	13.0	
BIU-231/11	200 mm - sectioned, horns	4.7	10.4	
BIU-231/12	255 mm	7.5	16.5	

BIU-034



BIU-037



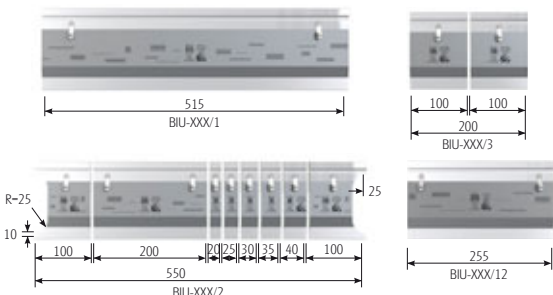
Type	Length	Weight		Max load
		kg	lbs	
BIU-034/1**	515 mm	18.8	41.5	160 t/m 54 t/ft
BIU-E2M-034/1	515 mm	18.8	41.5	
BIU-034/2*	550 mm - sectioned	20.1	44.3	
BIU-034/3*	200 mm - sectioned	7.3	16.1	
BIU-034/6	200 mm	7.3	16.1	
BIU-034/11	200 mm - sectioned, horns	5.7	12.6	
BIU-034/12	255 mm	9.4	20.7	

Type	Length	Weight		Max load
		kg	lbs	
BIU-037/1**	515 mm	18.8	41.5	160 t/m 54 t/ft
BIU-E2M-037/1	515 mm	18.8	41.5	
BIU-037/2*	550 mm - sectioned	20.1	44.3	
BIU-037/3*	200 mm - sectioned	7.3	16.1	
BIU-037/6	200 mm	7.3	16.1	
BIU-037/11	200 mm - sectioned, horns	5.7	12.6	
BIU-037/12	255 mm	9.5	20.9	

* Individual tool sections also available. ** Provided with fixed Safety-Pins (see page 42).

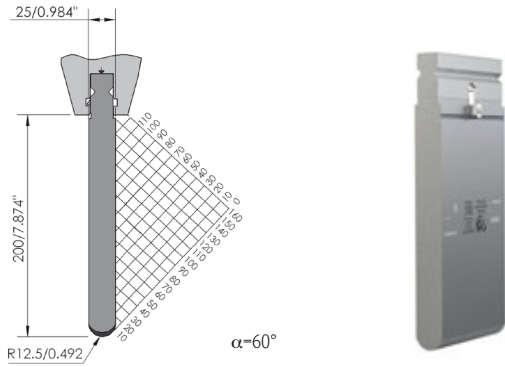
SEGMENTED TOOLING PROVIDES COMPLETE FLEXIBILITY

Create any desired tooling length from 20 mm/0.787" to machine length in 5 mm/0.197" increments by combining tool segments.



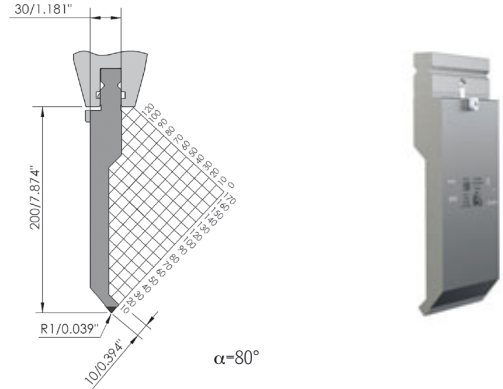
Examples of tool segments combined for various machine lengths			
550 mm/ 21.654" segmented set	255 mm 10.039"	515 mm 20.276"	Total length
1	1	1	1320 mm/52"
1	1	2	1835 mm/72.2"
1	2	3	2605 mm/102.6"
1		5	3125 mm/123"
1		6	3640 mm/143.3"
1	1	7	4410 mm/173.6"

BIU-038



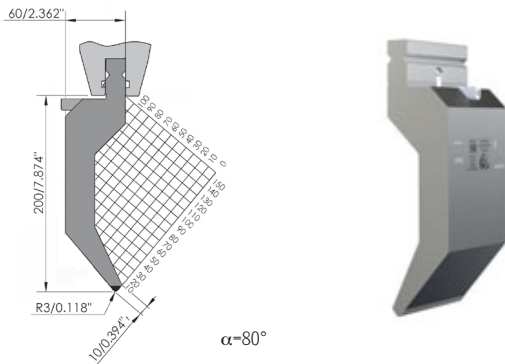
Type	Length	Weight		Max load
		kg	lbs	
BIU-038/1**	515 mm	22.7	50.0	225 t/m 76 t/ft
BIU-E2M-038/1	515 mm	22.7	50.0	
BIU-038/2*	550 mm - sectioned	24.2	53.4	
BIU-038/3*	200 mm - sectioned	8.8	19.4	
BIU-038/6	200 mm	8.8	19.4	
BIU-038/11	200 mm - sectioned, horns	7.0	15.4	
BIU-038/12	255 mm	11.2	24.7	

BIU-032



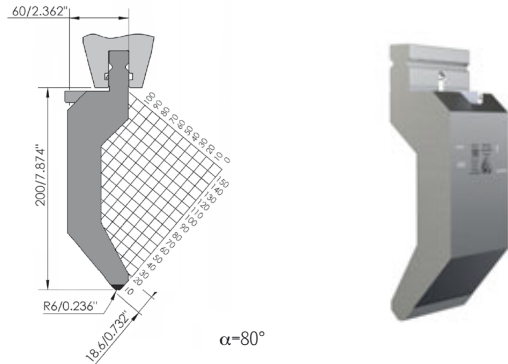
Type	Length	Weight		Max load
		kg	lbs	
BIU-032/1**	515 mm	19.8	43.6	80 t/m 27 t/ft
BIU-E2M-032/1	515 mm	19.8	43.6	
BIU-032/2*	550 mm - sectioned	21.1	46.5	
BIU-032/3*	200 mm - sectioned	7.7	16.9	
BIU-032/6	200 mm	7.7	16.9	
BIU-032/11	200 mm - sectioned, horns	6.0	13.2	
BIU-032/12	255 mm	9.5	20.9	

BIU-233



Type	Length	Weight		Max load
		kg	lbs	
BIU-233/1**	515 mm	28.8	63.5	90 t/m 30 t/ft
BIU-E2M-233/1	515 mm	28.8	63.5	
BIU-233/2*	550 mm - sectioned	30.8	67.8	
BIU-233/3*	200 mm - sectioned	11.2	24.7	
BIU-233/6	200 mm	11.2	24.7	
BIU-233/11	200 mm - sectioned, horns	8.7	19.2	
BIU-233/12**	255 mm	14.3	31.5	

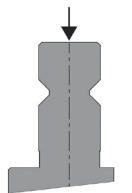
BIU-235



Type	Length	Weight		Max load
		kg	lbs	
BIU-235/1**	515 mm	32.2	71.0	130 t/m 44 t/ft
BIU-E2M-235/1	515 mm	32.2	71.0	
BIU-235/2*	550 mm - sectioned	34.3	75.8	
BIU-235/3*	200 mm - sectioned	12.5	27.6	
BIU-235/6	200 mm	12.5	27.6	
BIU-235/11	200 mm - sectioned, horns	9.6	21.2	
BIU-235/12**	255 mm	15.8	34.8	

* Individual tool sections also available. ** Provided with fixed Safety-Pins (See page 42).

ADAPTION



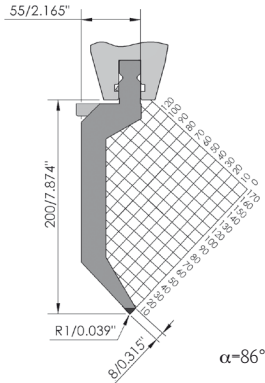
NS I head load

REVERSIBLE TOOLS



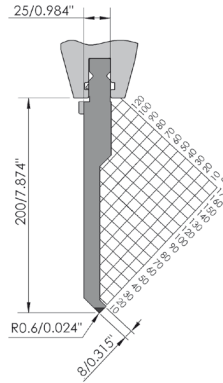
Because New Standard and American Style tools are symmetrical in relation to the centerline, these (top) tools can be easily rotated, such as when bending a reverse flange with a gooseneck tool.

BIU-033



$\alpha=86^\circ$

BIU-035

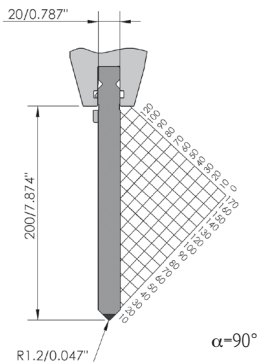


$\alpha=90^\circ$

Type	Length	Weight		Max load
		kg	lbs	
BIU-033/1**	515 mm	23.1	50.8	50 t/m 17 t/ft
BIU-E2M-033/1	515 mm	23.1	50.8	
BIU-033/2*	550 mm - sectioned	24.6	54.3	
BIU-033/3*	200 mm - sectioned	9.0	19.7	
BIU-033/6	200 mm	9.0	19.7	
BIU-033/11	200 mm - sectioned, horns	6.8	15.0	
BIU-033/12	255 mm	11.2	24.7	

Type	Length	Weight		Max load
		kg	lbs	
BIU-035/1**	515 mm	17.4	38.2	60 t/m 20 t/ft
BIU-E2M-035/1	515 mm	17.4	38.2	
BIU-035/2*	550 mm - sectioned	18.5	40.8	
BIU-035/3*	200 mm - sectioned	6.7	14.8	
BIU-035/6	200 mm	6.7	14.8	
BIU-035/11	200 mm - sectioned, horns	5.2	11.5	
BIU-035/12	255 mm	8.4	18.5	

BIU-036



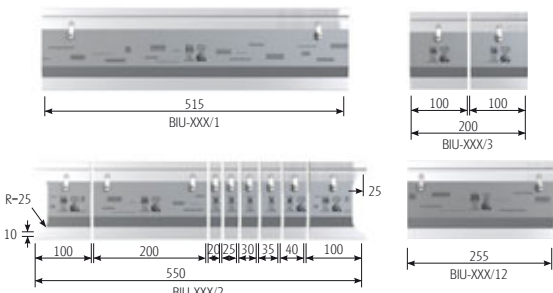
$\alpha=90^\circ$

Type	Length	Weight		Max load
		kg	lbs	
BIU-036/1**	515 mm	19.0	41.9	100 t/m 34 t/ft
BIU-E2M-036/1	515 mm	19.0	41.9	
BIU-036/2*	550 mm - sectioned	20.3	44.7	
BIU-036/3*	200 mm - sectioned	7.4	16.3	
BIU-036/6	200 mm	7.4	16.3	
BIU-036/11	200 mm - sectioned, horns	7.4	16.3	
BIU-036/12	255 mm	5.8	12.8	

* Individual tool sections also available. ** Provided with fixed Safety-Pins (see page 42).

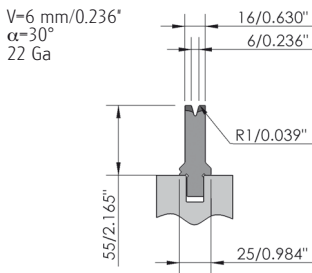
SEGMENTED TOOLING PROVIDES COMPLETE FLEXIBILITY

Create any desired tooling length from 20 mm/0.787" to machine length in 5 mm/0.197" increments by combining tool segments.

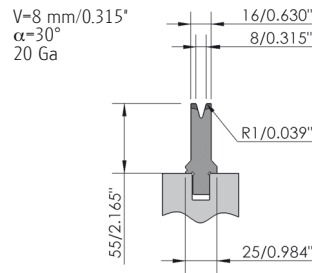


Examples of tool segments combined for various machine lengths			
550 mm/ 21.654" segmented set	255 mm 10.039"	515 mm 20.276"	Total length
1	1	1	1320 mm/52"
1	1	2	1835 mm/72.2"
1	2	3	2605 mm/102.6"
1		5	3125 mm/123"
1		6	3640 mm/143.3"
1	1	7	4410 mm/173.6"

OZU-061



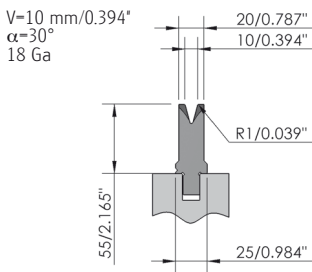
OZU-051



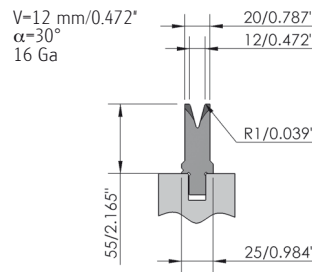
Type	Length	Weight		Max load
		kg	lbs	
OZU-061/1	515 mm	4.9	10.8	80 t/m 27 t/ft alpha=90°
OZU-061/2*	550 mm - sectioned	5.2	11.5	
OZU-061/3*	200 mm - sectioned	1.9	4.2	
OZU-061/6	200 mm	1.9	4.2	
OZU-061/12	255 mm	2.2	4.9	

Type	Length	Weight		Max load
		kg	lbs	
OZU-051/1	515 mm	4.9	10.8	80 t/m 27 t/ft alpha=90°
OZU-051/2*	550 mm - sectioned	5.2	11.5	
OZU-051/3*	200 mm - sectioned	1.9	4.2	
OZU-051/6	200 mm	1.9	4.2	
OZU-051/12	255 mm	2.2	4.9	

OZU-062



OZU-052

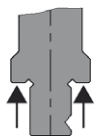


Type	Length	Weight		Max load
		kg	lbs	
OZU-062/1	515 mm	5.4	11.9	80 t/m 27 t/ft alpha=90°
OZU-062/2*	550 mm - sectioned	5.8	12.7	
OZU-062/3*	200 mm - sectioned	2.1	4.6	
OZU-062/6	200 mm	2.1	4.6	
OZU-062/12	255 mm	2.5	5.5	

Type	Length	Weight		Max load
		kg	lbs	
OZU-052/1	515 mm	5.2	11.3	80 t/m 27 t/ft alpha=90°
OZU-052/2*	550 mm - sectioned	5.5	12.1	
OZU-052/3*	200 mm - sectioned	2.0	4.4	
OZU-052/6	200 mm	2.0	4.4	
OZU-052/12	255 mm	2.4	5.3	

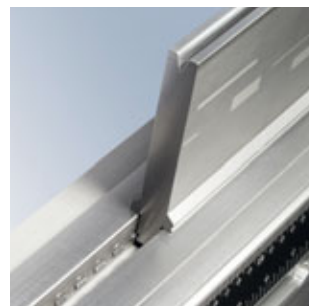
* Individual tool sections also available.

ADAPTION



**NS VI shoulder load
with V-Lock®**

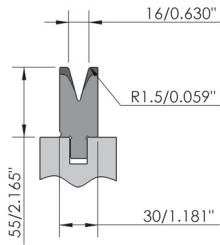
V-LOCK®



The V-LOCK® improves the clamping and positioning of bottom tools. A groove in the tool tang allows specially designed clamping pins to automatically align and firmly clamp bottom tools in both X and Y directions.

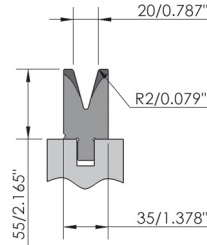
OZU-053

V=16 mm/0.630"
α=30°
14 Ga



OZU-063

V=20 mm/0.787"
α=30°
13 Ga

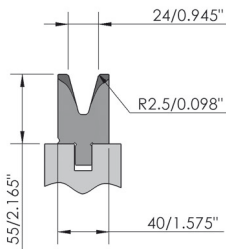


Type	Length	Weight		Max load
		kg	lbs	
OZU-053/1	515 mm	7.0	15.3	80 t/m 27 t/ft α=90°
OZU-053/2*	550 mm - sectioned	7.4	16.4	
OZU-053/3*	200 mm - sectioned	2.7	5.9	
OZU-053/6	200 mm	2.7	5.9	
OZU-053/12	255 mm	3.3	7.3	

Type	Length	Weight		Max load
		kg	lbs	
OZU-063/1	515 mm	7.7	17.0	80 t/m 27 t/ft α=90°
OZU-063/2*	550 mm - sectioned	8.3	18.2	
OZU-063/3*	200 mm - sectioned	3.0	6.6	
OZU-063/6	200 mm	3.0	6.6	
OZU-063/12	255 mm	3,5	7.7	

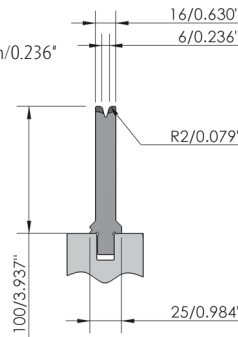
OZU-054

V=24 mm/0.945"
α=30°
11 Ga



OZU-361

V=6 mm/0.236"
α=30°
22 Ga



Type	Length	Weight		Max load
		kg	lbs	
OZU-054/1	515 mm	8.2	18.1	80 t/m 27 t/ft α=90°
OZU-054/2*	550 mm - sectioned	8.8	19.4	
OZU-054/3*	200 mm - sectioned	3.2	7.0	
OZU-054/6	200 mm	3.2	7.0	
OZU-054/12	255 mm	3.8	8.4	

Type	Length	Weight		Max load
		kg	lbs	
OZU-361/1	515 mm	7.8	17.2	80 t/m 27 t/ft α=90°
OZU-361/2*	550 mm - sectioned	8.4	18.4	
OZU-361/3*	200 mm - sectioned	3.0	6.7	
OZU-361/6	200 mm	3.0	6.7	
OZU-361/12	255 mm	3.7	8.2	

* Individual tool sections also available.

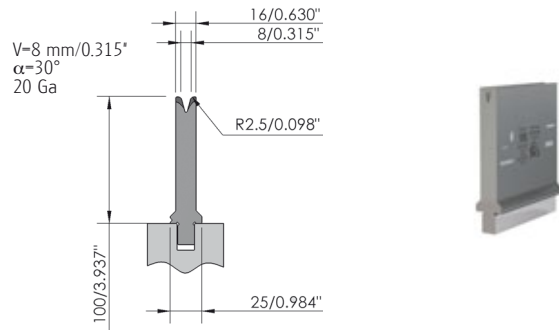
SEGMENTED TOOLING PROVIDES COMPLETE FLEXIBILITY

Create any desired tooling length from 20 mm/0.787" to machine length in 5 mm/0.197" increments by combining tool segments.

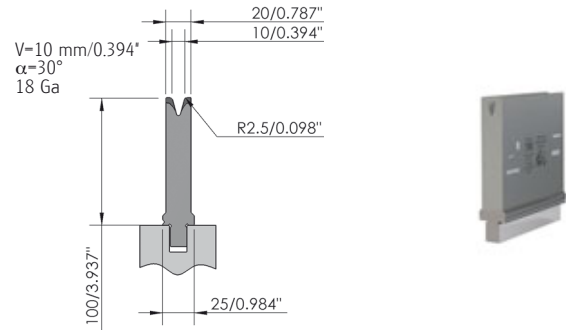


Examples of tool segments combined for various machine lengths			
550 mm/ 21.654" segmented set	255 mm 10.039"	515 mm 20.276"	Total length
1	1	1	1320 mm/52"
1	1	2	1835 mm/72.2"
1	2	3	2605 mm/102.6"
1		5	3125 mm/123"
1		6	3640 mm/143.3"
1	1	7	4410 mm/173.6"

OZU-351



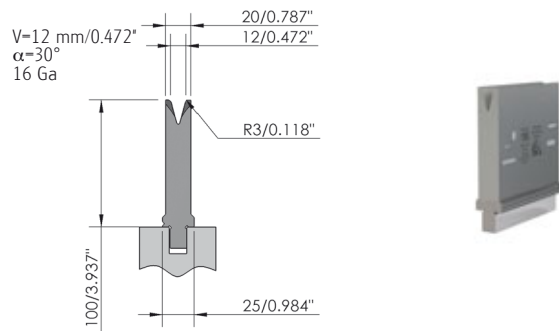
OZU-362



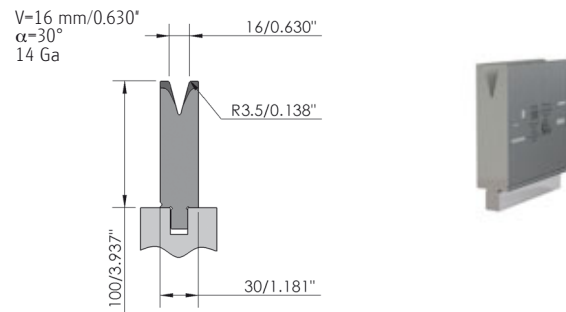
Type	Length	Weight		Max load
		kg	lbs	
OZU-351/1	515 mm	7.7	17.0	80 t/m 27 t/ft alpha=90°
OZU-351/2*	550 mm - sectioned	8.3	18.2	
OZU-351/3*	200 mm - sectioned	3.0	6.6	
OZU-351/6	200 mm	3.0	6.6	
OZU-351/12	255 mm	3.6	7.9	

Type	Length	Weight		Max load
		kg	lbs	
OZU-362/1	515 mm	9.1	20.1	80 t/m 27 t/ft alpha=90°
OZU-362/2*	550 mm - sectioned	9.7	21.4	
OZU-362/3*	200 mm - sectioned	3.5	7.8	
OZU-362/6	200 mm	3.5	7.8	
OZU-362/12	255 mm	4.3	9.5	

OZU-352



OZU-353

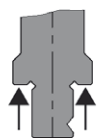


Type	Length	Weight		Max load
		kg	lbs	
OZU-352/1	515 mm	9.0	19.7	80 t/m 27 t/ft alpha=90°
OZU-352/2*	550 mm - sectioned	9.6	21.1	
OZU-352/3*	200 mm - sectioned	3.5	7.7	
OZU-352/6	200 mm	3.5	7.7	
OZU-352/12	255 mm	4.2	9.3	

Type	Length	Weight		Max load
		kg	lbs	
OZU-353/1	515 mm	12.5	27.5	80 t/m 27 t/ft alpha=90°
OZU-E2M-353/1	515 mm	12.5	27.5	
OZU-353/2*	550 mm - sectioned	13.3	29.3	
OZU-353/3*	200 mm - sectioned	4.8	10.7	
OZU-353/6	200 mm	4.8	10.7	
OZU-353/12	255 mm	5.9	13.0	

* Individual tool sections also available.

ADAPTION



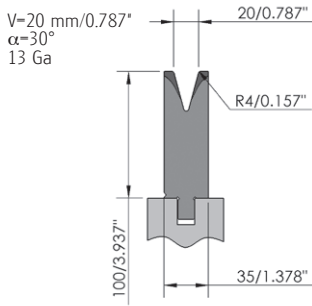
NS VI shoulder load with V-Lock®

E2M® SAFETY ROLLER BEARING: BOTTOM

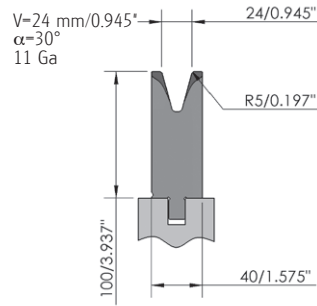


E2M® bottom tools are provided with an internal lift system. This system is applicable for a tool weight with a maximum of 140 kg /309 lbs and minimum tool length of 200mm/7.874". Minimum width of the tool should be 30mm/1.181".

OZU-363



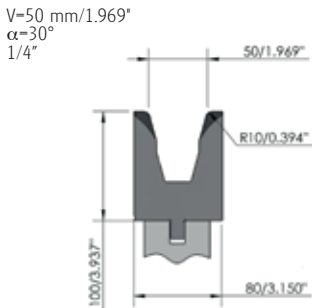
OZU-354



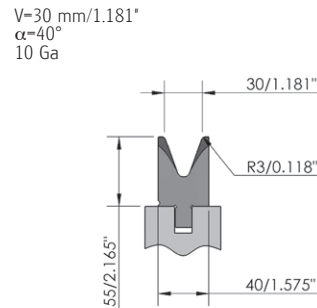
Type	Length	Weight		Max load
		kg	lbs	
OZU-363/1	515 mm	14.0	30.9	80 t/m 27 t/ft alpha=90 degrees
OZU-E2M-363/1	515 mm	14.0	30.9	
OZU-363/2*	550 mm - sectioned	15.0	33.0	
OZU-363/3*	200 mm - sectioned	5.4	12.0	
OZU-363/6	200 mm	5.4	12.0	
OZU-363/12	255 mm	6.7	14.8	

Type	Length	Weight		Max load
		kg	lbs	
OZU-354/1	515 mm	15.5	34.1	80 t/m 27 t/ft alpha=90 degrees
OZU-E2M-354/1	515 mm	15.5	34.1	
OZU-354/2*	550 mm - sectioned	16.6	36.5	
OZU-354/3*	200 mm - sectioned	6.0	13.3	
OZU-354/6	200 mm	6.0	13.3	
OZU-354/12	255 mm	7.4	16.3	

OZU-330



OZU-031



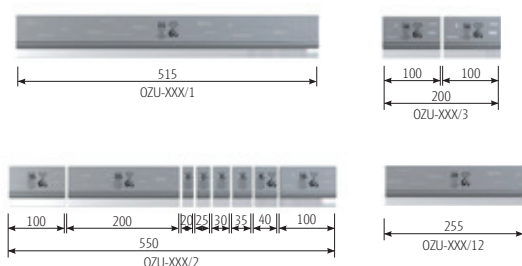
Type	Length	Weight		Max load
		kg	lbs	
OZU-330/1	515 mm	24.5	54.0	150 t/m 50 t/ft alpha=90 degrees
OZU-E2M-330/1	515 mm	24.5	54.0	
OZU-330/2*	550 mm - sectioned	26.2	57.8	
OZU-330/3*	200 mm - sectioned	9.3	20.5	
OZU-330/12	255 mm	12.1	26.7	

Type	Length	Weight		Max load
		kg	lbs	
OZU-031/1	515 mm	7.7	17.0	70 t/m 24 t/ft alpha=90 degrees
OZU-031/2*	550 mm - sectioned	8.3	18.2	
OZU-031/3*	200 mm - sectioned	3.0	6.6	
OZU-031/6	200 mm	3.0	6.5	
OZU-031/12	255 mm	3.7	8.2	

* Individual tool sections also available.

SEGMENTED TOOLING PROVIDES COMPLETE FLEXIBILITY

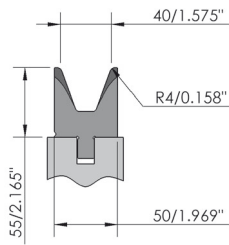
Create any desired tooling length from 20 mm/0.787" to machine length in 5 mm/0.197" increments by combining tool segments.



Examples of tool segments combined for various machine lengths			
550 mm/ 21.654" segmented set	255 mm 10.039"	515 mm 20.276"	Total length
1	1	1	1320 mm/52"
1	1	2	1835 mm/72.2"
1	2	3	2605 mm/102.6"
1		5	3125 mm/123"
1		6	3640 mm/143.3"
1	1	7	4410 mm/173.6"

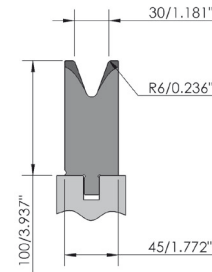
OZU-032

V=40 mm/1.575"
 $\alpha=40^\circ$
 3/16"



OZU-328

V=30 mm/1.181"
 $\alpha=40^\circ$
 10 Ga

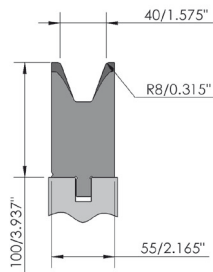


Type	Length	Weight		Max load
		kg	lbs	
OZU-032/1	515 mm	8.8	19.3	80 t/m 27 t/ft $\alpha=90^\circ$
OZU-032/2*	550 mm - sectioned	9.4	20.6	
OZU-032/3*	200 mm - sectioned	3.4	7.5	
OZU-032/6	200 mm	3.4	7.5	
OZU-032/12	255 mm	4.1	9.0	

Type	Length	Weight		Max load
		kg	lbs	
OZU-328/1	515 mm	17.0	37.5	100 t/m 34 t/ft $\alpha=90^\circ$
OZU-E2M-328/1	515 mm	17.0	37.5	
OZU-328/2*	550 mm - sectioned	18.2	40.1	
OZU-328/3*	200 mm - sectioned	6.6	14.6	
OZU-328/6	200 mm	6.6	14.6	
OZU-328/12	255 mm	8.2	18.1	

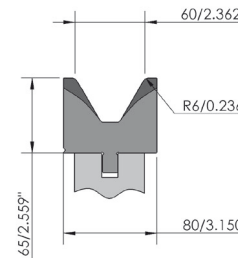
OZU-329

V=40 mm/1.575"
 $\alpha=40^\circ$
 3-16"



OZU-016

V=60 mm/2.362"
 $\alpha=60^\circ$
 5/16"



Type	Length	Weight		Max load
		kg	lbs	
OZU-329/1	515 mm	19.3	42.5	125 t/m 42 t/ft $\alpha=90^\circ$
OZU-E2M-329/1	515 mm	19.3	42.5	
OZU-329/2*	550 mm - sectioned	20.6	45.4	
OZU-329/3*	200 mm - sectioned	7.5	16.5	
OZU-329/6	200 mm	7.5	16.5	
OZU-329/12	255 mm	9.5	20.9	

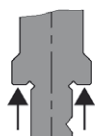
Type	Length	Weight		Max load
		kg	lbs	
OZU-016/1	515 mm	16.5	36.3	160 t/m 54 t/ft $\alpha=90^\circ$
OZU-E2M-016/1	515 mm	16.5	36.3	
OZU-016/2*	550 mm - sectioned	17.6	38.8	
OZU-016/3*	200 mm - sectioned	6.4	14.1	
OZU-016/6	200 mm	6.4	14.1	
OZU-016/12	255 mm	7.9	17.4	

* Individual tool sections also available.

ADAPTION



NS V shoulder load



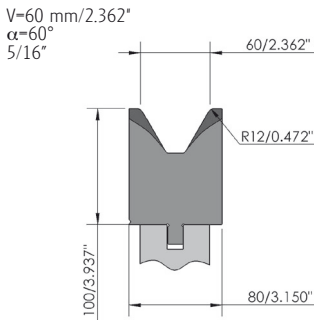
NS VI shoulder load
V ≤ 60 mm/2.362" with V-Lock®

KEMES ANGLE METER

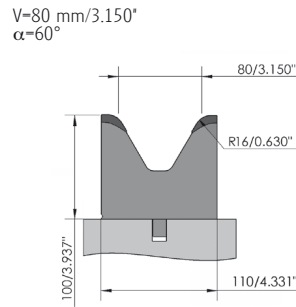


The KeMes Angle Meter is the fast, easy solution for precise angle measurement. It can be operated by hand for quick results or mounted to the tooling for instant, hands-free angle measurement.

OZU-327



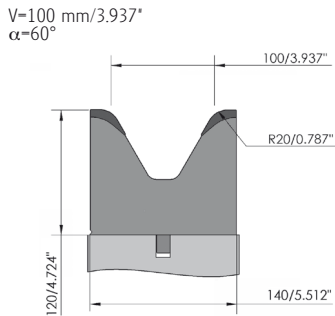
OZU-372



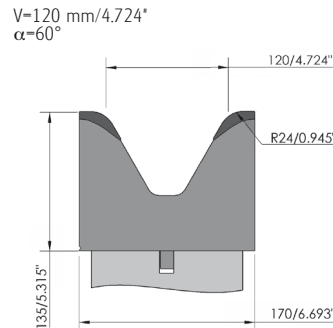
Type	Length	Weight		Max load
		kg	lbs	
OZU-327/1	515 mm	27.9	61.4	160 t/m 54 t/ft alpha=90°
OZU-E2M-327/1	515 mm	27.9	61.4	
OZU-327/2*	550 mm - sectioned	29.8	65.5	
OZU-327/3*	200 mm - sectioned	10.8	23.8	
OZU-327/6	200 mm	10.8	23.8	
OZU-327/12	255 mm	13.5	29.8	

Type	Length	Weight		Max load
		kg	lbs	
OZU-372/1	515 mm	34.3	69.4	220 t/m 75 t/ft alpha=90°
OZU-E2M-372/1	515 mm	34.3	69.4	
OZU-372/12	255 mm	17.0	34.4	
OZU-E2M-372/12	255 mm	17.0	34.4	

OZU-373



OZU-HD-374

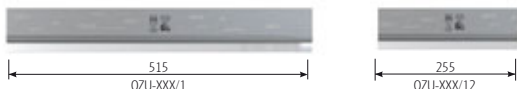


Type	Length	Weight		Max load
		kg	lbs	
OZU-373/1	515 mm	51.7	104.5	250 t/m 85 t/ft alpha=90°
OZU-E2M-373/1	515 mm	51.7	104.5	
OZU-373/12	255 mm	25.6	51.7	
OZU-E2M-373/12	255 mm	25.6	51.7	

Type	Length	Weight		Max load
		kg	lbs	
OZU-HD-374/1	515 mm	69.1	139.5	270 t/m 92 t/ft alpha=90°
OZU-HD-E2M-374/1	515 mm	69.1	139.5	
OZU-HD-374/12	255 mm	34.2	69.1	
OZU-HD-E2M-374/12	255 mm	34.2	69.1	

SEGMENTED TOOLING PROVIDES COMPLETE FLEXIBILITY

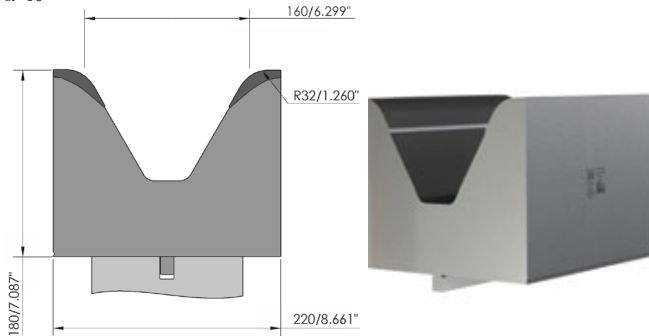
Create any desired tooling length from 20 mm/0.787" to machine length in 5 mm/0.197" increments by combining tool segments.



Examples of tool segments combined for various machine lengths		
255 mm/ 10.039"	515 mm/ 20.276"	Total length
1	2	1285 mm/50.6"
1	3	1800 mm/70.9"
2	4	2570 mm/101.2"
	6	3090 mm/121.7"
	7	3605 mm/141.9"
2	8	4630 mm/182.3"

OZU-HD-375

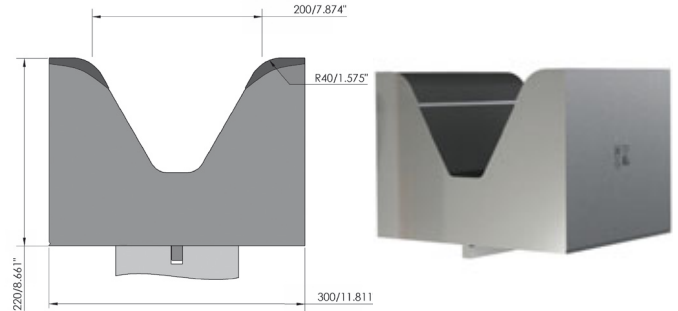
V=160 mm/6.299"
α=60°



Type	Length	Weight		Max load
		kg	lbs	
OZU-HD-375/1	515 mm	117.5	237.3	300 t/m 102 t/ft α=90°
OZU-HD-E2M-375/1	515 mm	117.5	237.3	
OZU-HD-375/12	255 mm	58.2	117.5	
OZU-HD-E2M-375/12	255 mm	58.2	117.5	

OZU-HD-376

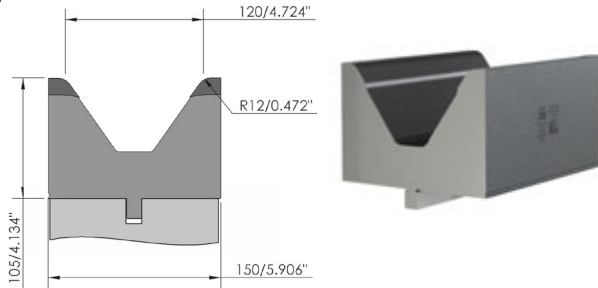
V=200 mm/7.874"
α=60°
1"



Type	Length	Weight		Max load
		kg	lbs	
OZU-HD-376/12	255mm	98.9	199.9	350 t/m 119 t/ft α=90°
OZU-HD-E2M-376/12	255 mm	98.9	199.9	

OZU-070

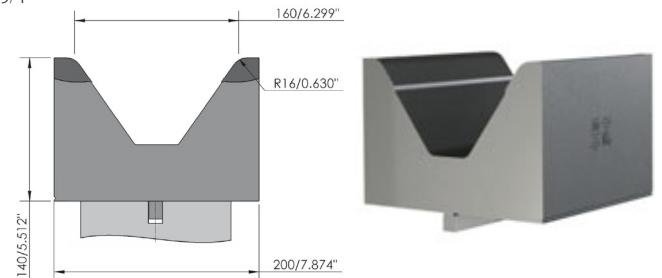
V=120 mm/4.724"
α=70°
5/8"



Type	Length	Weight		Max load
		kg	lbs	
OZU-070/1	515 mm	45.5	100.2	250 t/m 84 t/ft α=90°
OZU-E2M-070/1	515 mm	45.5	100.2	
OZU-070/12	255 mm	22.6	49.8	
OZU-E2M-070/12	255 mm	22.6	49.8	

OZU-071

V=160 mm/6.299"
α=70°
3/4"



Type	Length	Weight		Max load
		kg	lbs	
OZU-071/1	515 mm	79.2	174.5	250 t/m 84 t/ft α=90°
OZU-E2M-071/1	515 mm	79.2	174.5	
OZU-071/12	255 mm	39.3	86.6	
OZU-E2M-071/12	255 mm	39.3	86.6	

* Individual tool sections also available.

ADAPTION



NS V shoulder load



NS VI shoulder load
V ≤ 60 mm/2.362" with V-Lock®

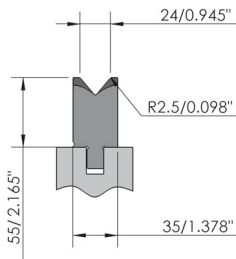
EYE BOLTS



New Standard type OZU-HD bottom tools feature standard tapped threaded holes for eye bolts. These eye bolts (not included) make it easier to handle and change safely heavy bottom dies.

OZU-013

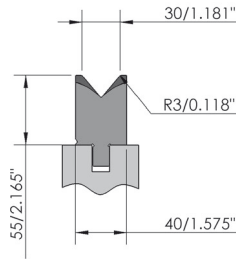
V=24 mm/0.945"
α=80°
11 Ga



Type	Length	Weight		Max load
		kg	lbs	
OZU-013/1	515 mm	8.2	18.1	125 t/m 42 t/ft α=90°
OZU-013/2*	550 mm - sectioned	8.8	19.4	
OZU-013/3*	200 mm - sectioned	3.2	7.0	
OZU-013/6	200 mm	3.2	7.0	
OZU-013/12	255 mm	3.9	8.6	

OZU-014

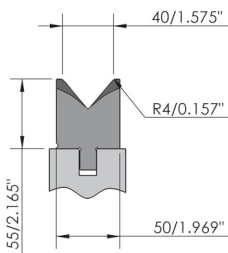
V=30 mm/1.181"
α=80°
10 Ga



Type	Length	Weight		Max load
		kg	lbs	
OZU-014/1	515 mm	8.8	19.3	125 t/m 42 t/ft α=90°
OZU-014/2*	550 mm - sectioned	9.4	20.6	
OZU-014/3*	200 mm - sectioned	3.4	7.5	
OZU-014/6	200 mm	3.4	7.5	
OZU-014/12	255 mm	4.3	9.5	

OZU-015

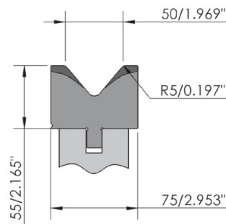
V=40 mm/1.575"
α=80°
3/16"



Type	Length	Weight		Max load
		kg	lbs	
OZU-015/1	515 mm	10.8	23.8	125 t/m 42 t/ft α=90°
OZU-015/2*	550 mm - sectioned	11.6	25.4	
OZU-015/3*	200 mm - sectioned	4.2	9.3	
OZU-015/6	200 mm	4.2	9.3	
OZU-015/12	255 mm	9.6	21.2	

OZU-035

V=50 mm/1.969"
α=80°
1/4"

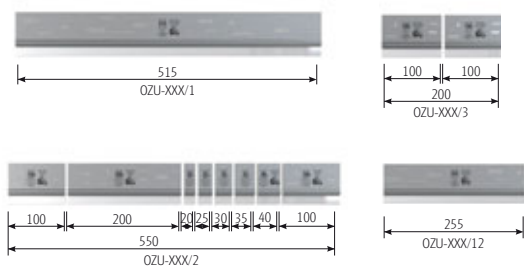


Type	Length	Weight		Max load
		kg	lbs	
OZU-035/1	515 mm	14.9	32.9	150 t/m 50 t/ft α=90°
OZU-E2M-035/1	515 mm	14.9	32.9	
OZU-035/2*	550 mm - sectioned	16.0	35.1	
OZU-035/3*	200 mm - sectioned	5.8	12.8	
OZU-035/6	200 mm	5.8	12.8	
OZU-035/12	255 mm	7.2	15.9	

* Individual tool sections also available.

SEGMENTED TOOLING PROVIDES COMPLETE FLEXIBILITY

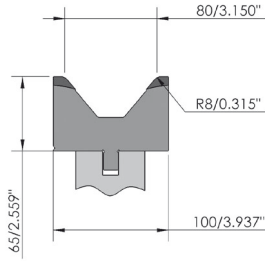
Create any desired tooling length from 20 mm/0.787" to machine length in 5 mm/0.197" increments by combining tool segments.



Examples of tool segments combined for various machine lengths			
550 mm/ 21.654" segmented set	255 mm 10.039"	515 mm 20.276"	Total length
1	1	1	1320 mm/52"
1	1	2	1835 mm/72.2"
1	2	3	2605 mm/102.6"
1		5	3125 mm/123"
1		6	3640 mm/143.3"
1	1	7	4410 mm/173.6"

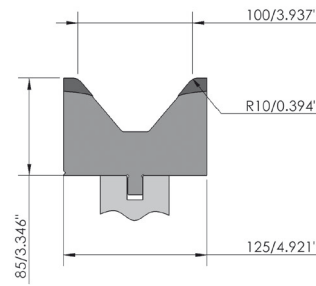
OZU-017

V=80 mm/3.150"
α=80°
3/8"



OZU-018

V=100 mm/3.937"
α=80°
1/2"

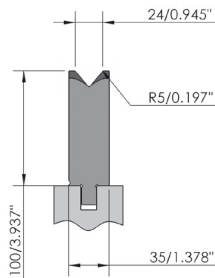


Type	Length	Weight		Max load
		kg	lbs	
OZU-017/1	515 mm	19.8	43.7	150 t/m 50 t/ft α=90°
OZU-E2M-017/1	515 mm	19.8	43.7	
OZU-017/12	255 mm	9.8	21.6	

Type	Length	Weight		Max load
		kg	lbs	
OZU-018/1	515 mm	32.2	70.9	150 t/m 50 t/ft α=90°
OZU-E2M-018/1	515 mm	32.2	70.9	
OZU-018/12	255 mm	15.9	35.0	
OZU-E2M-018/12	255 mm	15.9	35.0	

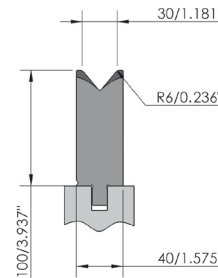
OZU-313

V=24 mm/0.945"
α=80°
11 Ga



OZU-324

V=30 mm/1.181"
α=80°
10 Ga



Type	Length	Weight		Max load
		kg	lbs	
OZU-313/1	515 mm	13.6	30.1	125 t/m 42 t/ft α=90°
OZU-E2M-313/1	515 mm	13.6	30.1	
OZU-313/2*	550 mm - sectioned	14.6	32.1	
OZU-313/3*	200 mm - sectioned	5.3	11.7	
OZU-313/6	200 mm	5.3	11.7	
OZU-313/12	255 mm	7.1	15.7	

Type	Length	Weight		Max load
		kg	lbs	
OZU-324/1	515 mm	16.5	36.4	125 t/m 42 t/ft α=90°
OZU-E2M-324/1	515 mm	16.5	36.4	
OZU-324/2*	550 mm - sectioned	17.7	38.9	
OZU-324/3*	200 mm - sectioned	6.4	14.1	
OZU-324/6	200 mm	6.4	14.1	
OZU-324/12	255 mm	7.9	17.4	

* Individual tool sections also available.

ADAPTION

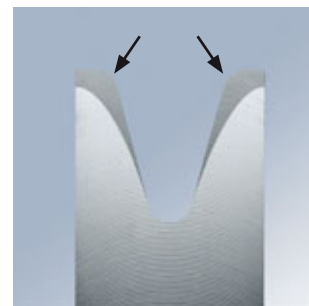


NS V shoulder load



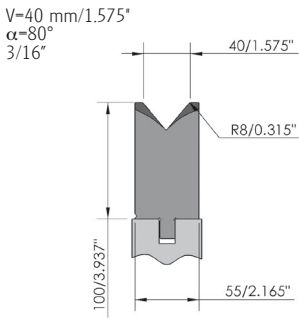
NS VI shoulder load
V ≤ 60 mm/2.362" with V-Lock®

SHOULDER RADII

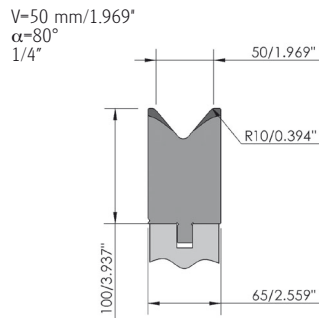


New Standard Bottom Tools in the OZU-3** and OZU-4** series feature extra large shoulder radii (R = approx 20% of V-opening) which greatly reduce part marking during the bending process.

OZU-325



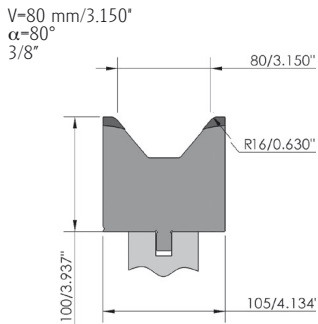
OZU-326



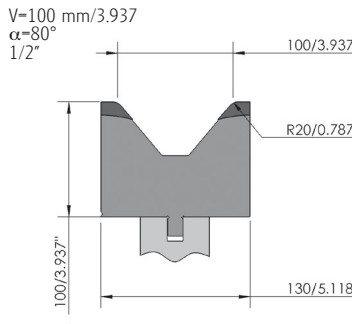
Type	Length	Weight		Max load
		kg	lbs	
OZU-325/1	515 mm	21.6	47.5	125 t/m 42 t/ft alpha=90°
OZU-E2M-325/1	515 mm	21.6	47.5	
OZU-325/2*	550 mm - sectioned	23.0	50.8	
OZU-325/3*	200 mm - sectioned	8.4	18.5	
OZU-325/6	200 mm	8.4	18.5	
OZU-325/12	255 mm	10.5	23.1	

Type	Length	Weight		Max load
		kg	lbs	
OZU-326/1	515 mm	24.6	54.2	150 t/m 50 t/ft alpha=90°
OZU-E2M-326/1	515 mm	24.6	54.2	
OZU-326/2*	550 mm - sectioned	26.3	57.9	
OZU-326/3*	200 mm - sectioned	9.6	21.1	
OZU-326/6	200 mm	9.6	21.1	
OZU-326/12	255 mm	11.9	26.2	

OZU-317



OZU-318



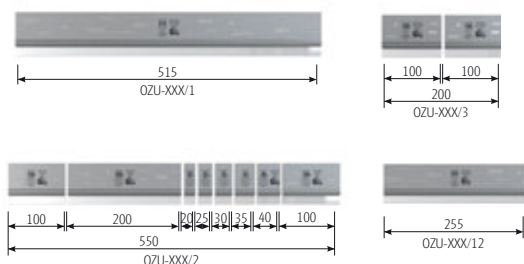
Type	Length	Weight		Max load
		kg	lbs	
OZU-317/1	515 mm	36.4	80.1	150 t/m 50 t/ft alpha=90°
OZU-E2M-317/1	515 mm	36.4	80.1	
OZU-317/12	255 mm	18.0	39.7	
OZU-317-E2M/12	255 mm	18.0	39.7	

Type	Length	Weight		Max load
		kg	lbs	
OZU-318/1	515 mm	42.0	92.5	150 t/m 50 t/ft alpha=90°
OZU-E2M-318/1	515 mm	42.0	92.5	
OZU-318/12	255 mm	20.8	45.9	
OZU-E2M-318/12	255 mm	20.8	45.9	

* Individual tool sections also available.

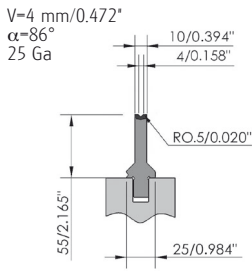
SEGMENTED TOOLING PROVIDES COMPLETE FLEXIBILITY

Create any desired tooling length from 20 mm/0.787" to machine length in 5 mm/0.197" increments by combining tool segments.

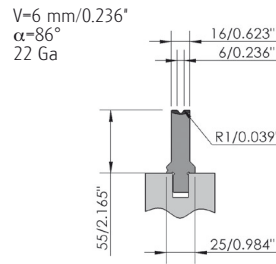


Examples of tool segments combined for various machine lengths			
550 mm/ 21.654" segmented set	255 mm 10.039"	515 mm 20.276"	Total length
1	1	1	1320 mm/52"
1	1	2	1835 mm/72.2"
1	2	3	2605 mm/102.6"
1		5	3125 mm/123"
1		6	3640 mm/143.3"
1	1	7	4410 mm/173.6"

OZU-024



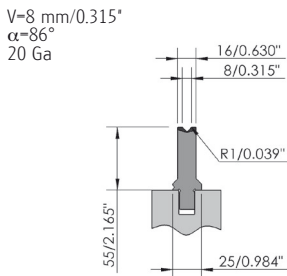
OZU-021



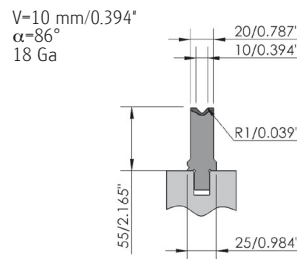
Type	Length	Weight		Max load
		kg	lbs	
OZU-024/1	515 mm	3.5	7.7	45 t/m 15 t/ft $\alpha=90^\circ$
OZU-024/2*	550 mm - sectioned	3.7	8.2	
OZU-024/3*	200 mm - sectioned	1.4	3.1	
OZU-024/6	200 mm	1.4	3.1	
OZU-024/12	255 mm	2.3	5.3	

Type	Length	Weight		Max load
		kg	lbs	
OZU-021/1	515 mm	4.9	10.8	120 t/m 40 t/ft
OZU-021/2*	550 mm - sectioned	5.2	11.5	
OZU-021/3*	200 mm - sectioned	1.9	4.2	
OZU-021/6	200 mm	1.9	4.2	
OZU-021/12	255 mm	2.3	5.1	

OZU-010



OZU-022

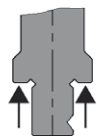


Type	Length	Weight		Max load
		kg	lbs	
OZU-010/1	515 mm	4.9	10.8	120 t/m 40 t/ft
OZU-010/2*	550 mm - sectioned	5.2	11.5	
OZU-010/3*	200 mm - sectioned	1.9	4.2	
OZU-010/6	200 mm	1.9	4.2	
OZU-010/12	255 mm	2.3	5.1	

Type	Length	Weight		Max load
		kg	lbs	
OZU-022/1	515 mm	5.7	12.5	120 t/m 40 t/ft
OZU-022/2*	550 mm - sectioned	6.1	13.3	
OZU-022/3*	200 mm - sectioned	2.2	4.8	
OZU-022/6	200 mm	2.2	4.8	
OZU-022/12	255 mm	2.7	6.0	

* Individual tool sections also available.

ADAPTION



**NS VI shoulder load
with V-Lock®**

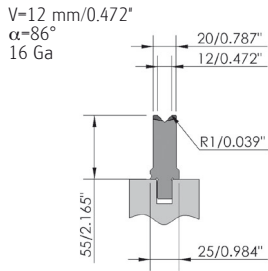
SMART TOOLING



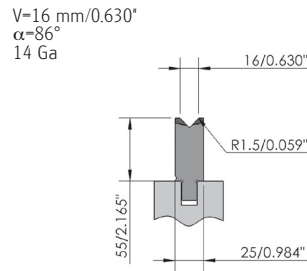
All WILA New Standard Premium tools have a unique DM-code. With the WILA Smart Tooling app you can scan all the tools. After scanning the DM-code you have immediate access to the tool's specifications and the correct tool data files for your press brake control.



OZU-011



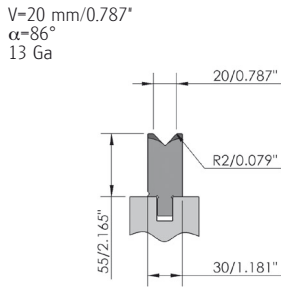
OZU-012



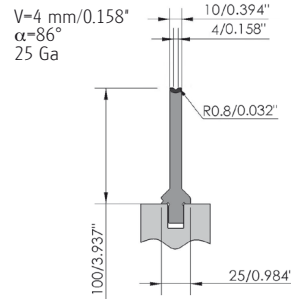
Type	Length	Weight		Max load
		kg	lbs	
OZU-011/1	515 mm	5.7	12.5	120 t/m 40 t/ft
OZU-011/2*	550 mm - sectioned	6.1	13.3	
OZU-011/3*	200 mm - sectioned	2.2	4.8	
OZU-011/6	200 mm	2.2	4.8	
OZU-011/12	255 mm	2.6	5.7	

Type	Length	Weight		Max load
		kg	lbs	
OZU-012/1	515 mm	6.7	14.7	120 t/m 40 t/ft
OZU-012/2*	550 mm - sectioned	7.2	15.7	
OZU-012/3*	200 mm - sectioned	2.6	5.7	
OZU-012/6	200 mm	2.6	5.7	
OZU-012/12	255 mm	3.0	6.6	

OZU-023



OZU-336



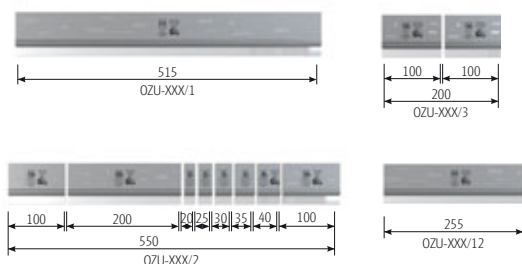
Type	Length	Weight		Max load
		kg	lbs	
OZU-023/1	515 mm	7.7	17.0	120 t/m 40 t/ft
OZU-023/2*	550 mm - sectioned	8.3	18.2	
OZU-023/3*	200 mm - sectioned	3.0	6.6	
OZU-023/6	200 mm	3.0	6.6	
OZU-023/12	255 mm	3.5	7.7	

Type	Length	Weight		Max load
		kg	lbs	
OZU-336/1	515 mm	5.1	11.2	45 t/m 15 t/ft
OZU-336/2*	550 mm - sectioned	5.5	12.1	
OZU-336/3*	200 mm - sectioned	2.0	4.4	
OZU-336/6	200 mm	2.0	4.4	
OZU-336/12	255 mm	3.5	7.7	

* Individual tool sections also available.

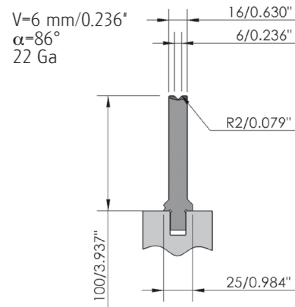
SEGMENTED TOOLING PROVIDES COMPLETE FLEXIBILITY

Create any desired tooling length from 20 mm/0.787" to machine length in 5 mm/0.197" increments by combining tool segments.

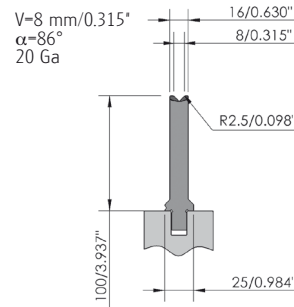


Examples of tool segments combined for various machine lengths			
550 mm/ 21.654" segmented set	255 mm 10.039"	515 mm 20.276"	Total length
1	1	1	1320 mm/52"
1	1	2	1835 mm/72.2"
1	2	3	2605 mm/102.6"
1		5	3125 mm/123"
1		6	3640 mm/143.3"
1	1	7	4410 mm/173.6"

OZU-321



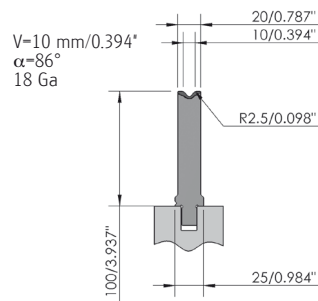
OZU-310



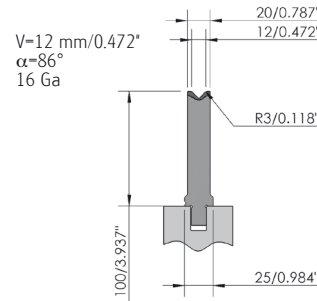
Type	Length	Weight		Max load
		kg	lbs	
OZU-321/1	515 mm	7.8	17.1	120 t/m 40 t/ft
OZU-321/2*	550 mm - sectioned	8.3	18.3	
OZU-321/3*	200 mm - sectioned	3.0	6.7	
OZU-321/6	200 mm	3.0	6.7	
OZU-321/12	255 mm	3.7	8.2	

Type	Length	Weight		Max load
		kg	lbs	
OZU-310/1	515 mm	7.8	17.1	120 t/m 40 t/ft
OZU-310/2*	550 mm - sectioned	8.3	18.3	
OZU-310/3*	200 mm - sectioned	3.0	6.7	
OZU-310/6	200 mm	3.0	6.7	
OZU-310/12	255 mm	3.7	8.2	

OZU-322



OZU-311

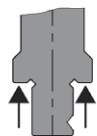


Type	Length	Weight		Max load
		kg	lbs	
OZU-322/1	515 mm	9.2	20.3	120 t/m 40 t/ft
OZU-322/2*	550 mm - sectioned	9.8	21.7	
OZU-322/3*	200 mm - sectioned	3.6	7.9	
OZU-322/6	200 mm	3.6	7.9	
OZU-322/12	255 mm	4.5	9.9	

Type	Length	Weight		Max load
		kg	lbs	
OZU-311/1	515 mm	9.2	20.2	120 t/m 40 t/ft
OZU-311/2*	550 mm - sectioned	9.8	21.6	
OZU-311/3*	200 mm - sectioned	3.6	7.8	
OZU-311/6	200 mm	3.6	7.8	
OZU-311/12	255 mm	4.4	9.7	

* Individual tool sections also available.

ADAPTION



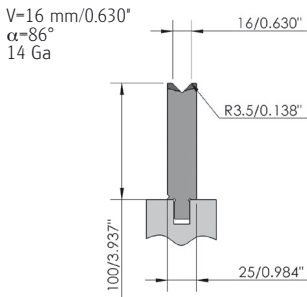
**NS VI shoulder load
with V-Lock®**

TOOL ADVISOR

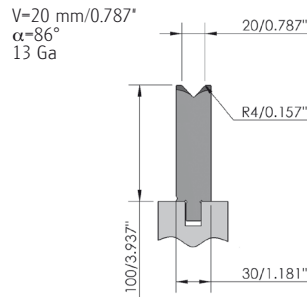


This high-end engineering tool allows you to make a decision online about which press brake tools are best suited to your specific bending needs. If the required tool is unavailable as a standard solution, it is possible to immediately design a special tool and order it via the WILA Webshop.

OZU-312



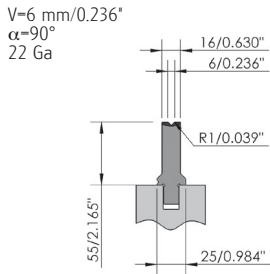
OZU-323



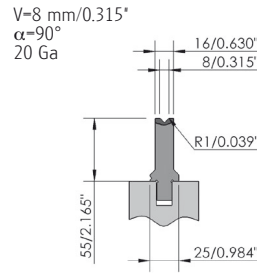
Type	Length	Weight		Max load
		kg	lbs	
OZU-312/1	515 mm	9.9	21.9	120 t/m 40 t/ft
OZU-312/2*	550 mm - sectioned	10.6	23.4	
OZU-312/3*	200 mm - sectioned	3.9	8.5	
OZU-312/6	200 mm	3.9	8.5	
OZU-312/12	255 mm	5.3	11.7	

Type	Length	Weight		Max load
		kg	lbs	
OZU-323/1	515 mm	12.8	28.2	120 t/m 40 t/ft
OZU-E2M-323/1	515 mm	12.8	28.2	
OZU-323/2*	550 mm - sectioned	13.7	30.2	
OZU-323/3*	200 mm - sectioned	5.0	11.0	
OZU-323/6	200 mm	5.0	11.0	
OZU-323/12	255 mm	6.2	13.7	

OZU-041



OZU-042



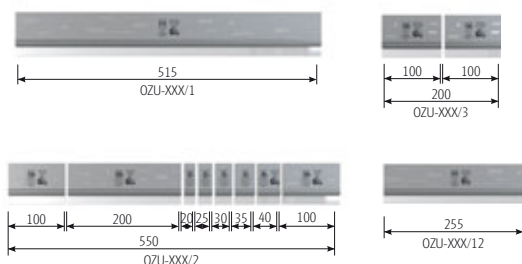
Type	Length	Weight		Max load
		kg	lbs	
OZU-041/1	515 mm	4.9	10.8	120 t/m 40 t/ft
OZU-041/2*	550 mm - sectioned	5.2	11.5	
OZU-041/3*	200 mm - sectioned	1.9	4.2	
OZU-041/6	200 mm	1.9	4.2	
OZU-041/12	255 mm	2.3	5.1	

Type	Length	Weight		Max load
		kg	lbs	
OZU-042/1	515 mm	4.9	10.8	120 t/m 40 t/ft
OZU-042/2*	550 mm - sectioned	5.2	11.5	
OZU-042/3*	200 mm - sectioned	1.9	4.2	
OZU-042/6	200 mm	1.9	4.2	
OZU-042/12	255 mm	2.3	5.1	

* Individual tool sections also available.

SEGMENTED TOOLING PROVIDES COMPLETE FLEXIBILITY

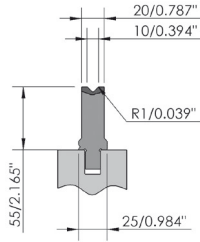
Create any desired tooling length from 20 mm/0.787" to machine length in 5 mm/0.197" increments by combining tool segments.



Examples of tool segments combined for various machine lengths			
550 mm/ 21.654" segmented set	255 mm 10.039"	515 mm 20.276"	Total length
1	1	1	1320 mm/52"
1	1	2	1835 mm/72.2"
1	2	3	2605 mm/102.6"
1		5	3125 mm/123"
1		6	3640 mm/143.3"
1	1	7	4410 mm/173.6"

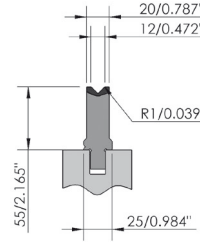
OZU-043

V=10 mm/0.394"
α=90°
18 Ga



OZU-044

V=12 mm/0.472"
α=90°
16 Ga

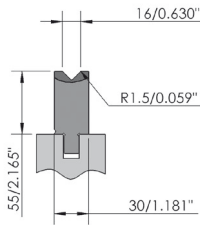


Type	Length	Weight		Max load
		kg	lbs	
OZU-043/1	515 mm	5.7	12.5	120 t/m 40 t/ft
OZU-043/2*	550 mm - sectioned	6.1	13.3	
OZU-043/3*	200 mm - sectioned	2.2	4.8	
OZU-043/6	200 mm	2.2	4.8	
OZU-043/12	255 mm	2.7	6.0	

Type	Length	Weight		Max load
		kg	lbs	
OZU-044/1	515 mm	5.7	12.5	120 t/m 40 t/ft
OZU-044/2*	550 mm - sectioned	6.1	13.3	
OZU-044/3*	200 mm - sectioned	2.2	4.8	
OZU-044/6	200 mm	2.2	4.8	
OZU-044/12	255 mm	2.6	5.7	

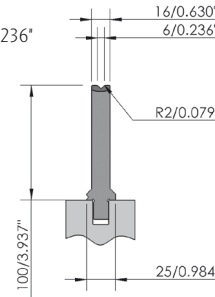
OZU-045

V=16 mm/0.630"
α=90°
14 Ga



OZU-341

V=6 mm/0.236"
α=90°
22 Ga

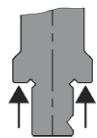


Type	Length	Weight		Max load
		kg	lbs	
OZU-045/1	515 mm	7.7	17.0	120 t/m 40 t/ft
OZU-045/2*	550 mm - sectioned	8.3	18.2	
OZU-045/3*	200 mm - sectioned	3.0	6.6	
OZU-045/6	200 mm	3.0	6.6	
OZU-045/12	255 mm	3.6	7.9	

Type	Length	Weight		Max load
		kg	lbs	
OZU-341/1	515 mm	7.8	17.1	120 t/m 40 t/ft
OZU-341/2*	550 mm - sectioned	8.3	18.3	
OZU-341/3*	200 mm - sectioned	3.0	6.7	
OZU-341/6	200 mm	3.0	6.7	
OZU-341/12	255 mm	3.7	8.2	

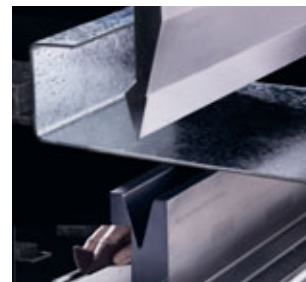
* Individual tool sections also available.

ADAPTION



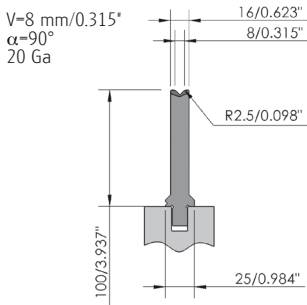
**NS VI shoulder load
with V-Lock®**

OZU-ZN COATING FOR GALVANIZED MATERIAL

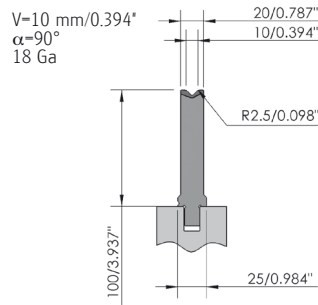


"Bending instead of cleaning!" OZU-ZN tools feature a coating that has been specially developed by WILA for use with galvanized material. This coating is applied to CNC-Deephardened® bottom tools and prevents zinc deposits from building on the bending radii.

OZU-342



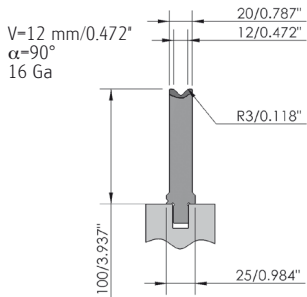
OZU-343



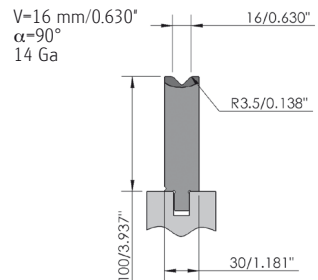
Type	Length	Weight		Max load
		kg	lbs	
OZU-342/1	515 mm	7.8	17.1	120 t/m 40 t/ft
OZU-342/2*	550 mm - sectioned	8.3	18.3	
OZU-342/3*	200 mm - sectioned	3.0	6.7	
OZU-342/6	200 mm	3.0	6.7	
OZU-342/12	255 mm	3.7	8.2	

Type	Length	Weight		Max load
		kg	lbs	
OZU-343/1	515 mm	9.2	20.3	120 t/m 40 t/ft
OZU-343/2*	550 mm - sectioned	9.8	21.7	
OZU-343/3*	200 mm - sectioned	3.6	7.9	
OZU-343/6	200 mm	3.6	7.9	
OZU-343/12	255 mm	4.5	9.9	

OZU-344



OZU-345



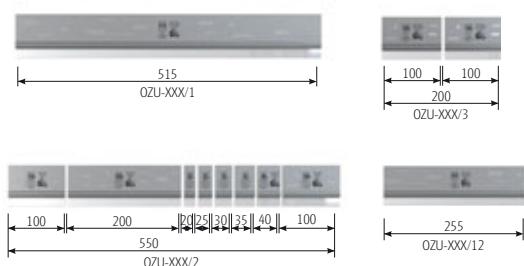
Type	Length	Weight		Max load
		kg	lbs	
OZU-344/1	515 mm	9.2	20.2	120 t/m 40 t/ft
OZU-344/2*	550 mm - sectioned	9.8	21.6	
OZU-344/3*	200 mm - sectioned	3.6	7.8	
OZU-344/6	200 mm	3.6	7.8	
OZU-344/12	255 mm	4.4	9.7	

Type	Length	Weight		Max load
		kg	lbs	
OZU-345/1	515 mm	12.7	27.9	120 t/m 40 t/ft
OZU-E2M-345/1	515 mm	12.7	27.9	
OZU-345/2*	550 mm - sectioned	13.5	29.8	
OZU-345/3*	200 mm - sectioned	4.9	10.8	
OZU-345/6	200 mm	4.9	10.8	
OZU-345/12	255 mm	6.3	13.9	

* Individual tool sections also available.

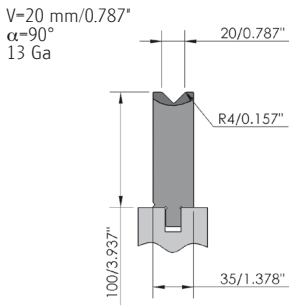
SEGMENTED TOOLING PROVIDES COMPLETE FLEXIBILITY

Create any desired tooling length from 20 mm/0.787" to machine length in 5 mm/0.197" increments by combining tool segments.



Examples of tool segments combined for various machine lengths			
550 mm/ 21.654" segmented set	255 mm 10.039"	515 mm 20.276"	Total length
1	1	1	1320 mm/52"
1	1	2	1835 mm/72.2"
1	2	3	2605 mm/102.6"
1		5	3125 mm/123"
1		6	3640 mm/143.3"
1	1	7	4410 mm/173.6"

OZU-346



Type	Length	Weight		Max load
		kg	lbs	
OZU-346/1	515 mm	14.8	32.6	120 t/m 40 t/ft
OZU-E2M-346/1	515 mm	14.8	32.6	
OZU-346/2*	550 mm - sectioned	15.8	34.8	
OZU-346/3*	200 mm - sectioned	5.7	12.6	
OZU-346/6	200 mm	5.7	12.6	
OZU-346/12	255 mm	7.2	15.9	

TOOLING

NEW STANDARD PREMIUM

WILA ROTABEND®

WILA prides itself on producing the finest quality and highest precision press brake tooling, and it makes no exception with its new line of rotating v dies, RotaBend. With tight tolerances and CNC Deephardened contact surfaces and rotor wings, you can now easily bend short flanges and reduce part marking without sacrificing the WILA quality and precision you've come to expect.

WILA RotaBend includes replaceable built-in inserts that rotate to enable forming of short or tapered flanges.

Advantages of WILA RotaBend:

- Eliminates distortion at holes near the bend line.
- Reduces part marking.
- Forms very tight inside radius when required.
- Rotor wings and contact surface of the body are hardened, ensuring long term durability and accuracy.
- Rotor wings are very easy to disassemble and clean.
- Machined to extremely tight tolerances for ultimate precision.
- Narrow tool design for down flange bending freedom.
- Suitable for bending various material thicknesses.
- Can be combined with OM tools for bending 90° angles.



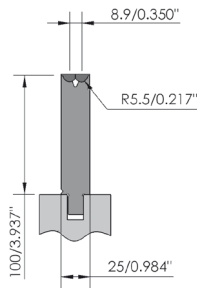
	OZU-WRB-301	OZU-WRB-302	OZU-WRB-303
Max. material thickness	2 mm / 0.079"	3 mm / 0.118"	5 mm / 0.197"
Center distance of two rotors (wing rotor opening)	8.9 mm / 0.35"	12.9 mm / 0.508"	26.3 mm / 1.035"
Max. applicable tip radius of the top tool	2.4 mm / 0.094"	3 mm / 0.118"	6 mm / 0.236"
Min. outside flange length*	5.2 mm (S=1mm) / 0.205" (S=0.039")	6.5 mm (S=1 mm) / 0.256" (S=0.039")	15.5 mm (S=2 mm) / 0.610" (S=0.079")
Return bend (outside dimension)	14.4 mm (S=1mm) / 0.567" (S=0.039")	20 mm (S=1 mm) / 0.787" (S=0.039")	35 mm (S=2 mm) / 1.378" (S=0.079")
Min. bend angle**	40°	40-60° (40° max. S=2 mm / 0.079")	60° (max. S=4 mm / 0.157")
Hardness of wing rotor (see below in blue)	56-60 HRC	56-60 HRC	56-60 HRC
Hardness of body contact surface (see below in red)	52-54 HRC	52-54 HRC	52-54 HRC
Working height***	100 mm / 3.937"	100 mm / 3.937"	100 mm / 3.937"
Bottom adaption width	13 mm / 0.512"	13 mm / 0.512"	13 mm / 0.512"
Tonnage capacity	100 t/m / 33.6 t/ft	130 t/m / 43.7 t/ft	200 t/m / 67.2 t/ft
Available lengths	515 mm	515 mm	515 mm
	550 mm sectioned	550 mm sectioned	200 mm
	200 mm	200 mm	100 - 100 mm
	100 - 100 mm	100 - 100 mm	

* These dimensions are outside dimensions and apply to bending mild steel at 90°. Dimensions can change with stainless steel and aluminum.

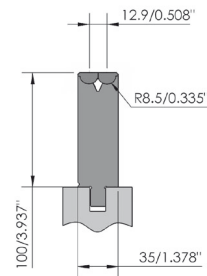
** Minimum bend angle may vary depending material and punch radius.

*** Can be combined with OM tools for bending 90° angles.

OZU-WRB-301



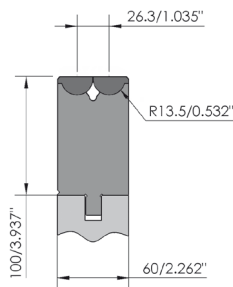
OZU-WRB-302



Type	Length	Weight		Max load
		kg	lbs	
OZU-WRB-301/1	515 mm	9.3	20.5	100 t/m 34 t/ft
OZU-WRB-301/2	550 mm - sectioned	9.9	21.8	
OZU-WRB-301/3	200 mm - sectioned	3.6	7.9	
OZU-WRB-301/6	200 mm	3.6	7.9	

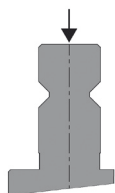
Type	Length	Weight		Max load
		kg	lbs	
OZU-WRB-302/1	515mm	11.1	24.8	130 t/m 44 t/ft
OZU-WRB-302/2	550mm - sectioned	11.8	26.0	
OZU-WRB-302/3	200mm - sectioned	4.3	9.5	
OZU-WRB-302/6	200mm	4.3	9.5	

OZU-WRB-303



Type	Length	Weight		Max load
		kg	lbs	
OZU-WRB-303/1	515mm	18.6	41.0	200 t/m 67 t/ft
OZU-WRB-303/3	200mm - sectioned	7.2	15.9	
OZU-WRB-303/6	200mm	7.2	15.9	

ADAPTION



NS I head load



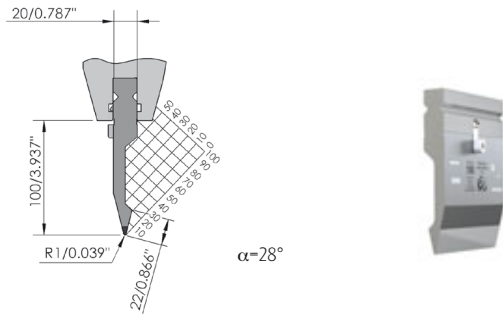
**NS VI shoulder load
with V-Lock®**

WEBSHOP

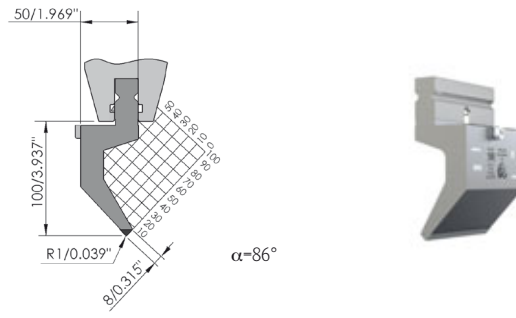


The WILA Webshop features a comprehensive overview of WILA's top and bottom tools. The Webshop can be used to directly request quotes, check prices, find delivery times and place orders. Create your account via: webshop.wilausa.com

BIU-401



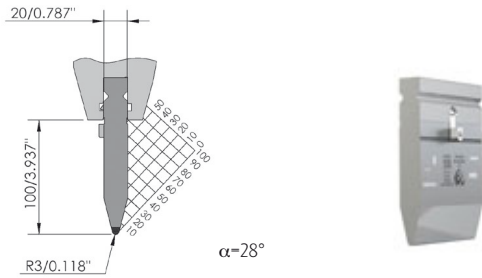
BIU-403



Type	Length	Weight		Max load
		kg	lbs	
BIU-401/1	515 mm	7.3	16.1	65 t/m 22 t/ft
BIU-401/10*	475 mm - sectioned	6.7	14.9	
BIU-401/11*	200 mm - sectioned	2.4	5.3	

Type	Length	Weight		Max load
		kg	lbs	
BIU-403/1	515 mm	12.3	27.1	60 t/m 20 t/ft
BIU-403/10*	475 mm - sectioned	11.4	25.0	
BIU-403/11*	200 mm - sectioned	3.9	8.6	

BIU-404

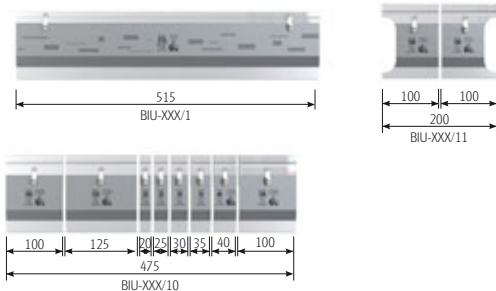


Type	Length	Weight		Max load
		kg	lbs	
BIU-404/1	515 mm	10.1	22.2	100 t/m 34 t/ft
BIU-404/10*	475 mm - sectioned	9.3	20.5	
BIU-404/11*	200 mm - sectioned	3.2	7.1	

* Individual tool sections also available.

SEGMENTED TOOLING PROVIDES COMPLETE FLEXIBILITY

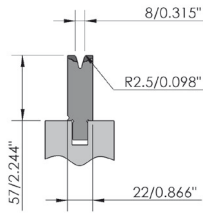
Create any desired tooling length from 20 mm/0.787" to machine length in 5 mm/0.197" increments by combining tool segments.



Examples of tool segments combined for various machine lengths			
475 mm/ 18.701" segmented set	200 mm/ 7.874"	515 mm/ 20.276"	Total length
1	1	1	1190 mm/46.9"
1	1	2	1705 mm/67.1"
1	2	3	2420 mm/95.3"
1		5	3050 mm/120.1"
1		6	3165 mm/124.6"
1	1	7	4580 mm/180.3"

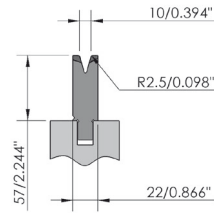
OZU-401

V=8 mm/0.315"
 $\alpha=30^\circ$
 20 Ga



OZU-402

V=10 mm/0.394"
 $\alpha=30^\circ$
 18 Ga

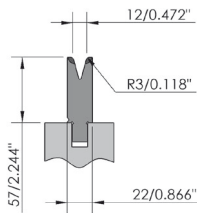


Type	Length	Weight		Max load
		kg	lbs	
OZU-401/1	515 mm	5.7	12.5	60 t/m 20 t/ft $\alpha=90^\circ$
OZU-401/10*	475 mm - sectioned	5.2	11.5	
OZU-401/3*	200 mm - sectioned	2.2	4.8	

Type	Length	Weight		Max load
		kg	lbs	
OZU-402/1	515 mm	5.6	12.3	60 t/m 20 t/ft $\alpha=90^\circ$
OZU-402/10*	475 mm - sectioned	5.1	11.3	
OZU-402/3*	200 mm - sectioned	2.2	4.8	

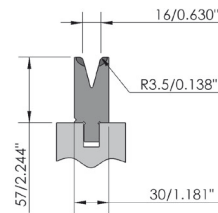
OZU-403

V=12 mm/0.472"
 $\alpha=30^\circ$
 16 Ga



OZU-404

V=16 mm/0.630"
 $\alpha=30^\circ$
 14 Ga

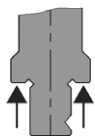


Type	Length	Weight		Max load
		kg	lbs	
OZU-403/1	515 mm	5.4	11.9	60 t/m 20 t/ft $\alpha=90^\circ$
OZU-403/10*	475 mm - sectioned	5.0	11.0	
OZU-403/3*	200 mm - sectioned	2.1	4.6	

Type	Length	Weight		Max load
		kg	lbs	
OZU-404/1	515 mm	6.8	15.1	60 t/m 20 t/ft $\alpha=90^\circ$
OZU-404/10*	475 mm - sectioned	6.3	13.9	
OZU-404/3*	200 mm - sectioned	2.7	5.9	

* Individual tool sections also available.

ADAPTION



**NS VI shoulder load
 with V-Lock®**

SMART TOOLING

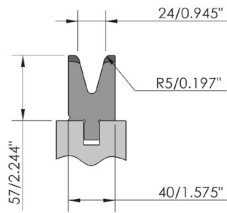


All WILA New Standard Premium tools have a unique DM-code. With the WILA Smart Tooling app you can scan all the tools. After scanning the DM-code you have immediate access to the tool's specifications and the correct tool data files for your press brake control.



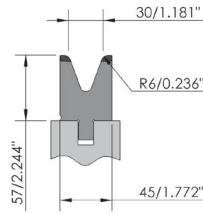
OZU-405

V=24 mm/0.945"
 $\alpha=30^\circ$
 11 Ga



OZU-406

V=30 mm/1.181"
 $\alpha=40^\circ$
 10 Ga

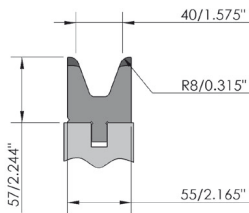


Type	Length	Weight		Max load
		kg	lbs	
OZU-405/1	515 mm	8.1	17.9	60 t/m 20 t/ft $\alpha=90^\circ$
OZU-405/10*	475 mm - sectioned	7.5	16.5	
OZU-405/3*	200 mm - sectioned	3.2	7.0	

Type	Length	Weight		Max load
		kg	lbs	
OZU-406/1	515 mm	8.9	19.6	70 t/m 24 t/ft $\alpha=90^\circ$
OZU-406/10*	475 mm - sectioned	8.2	18.1	
OZU-406/3*	200 mm - sectioned	3.5	7.6	

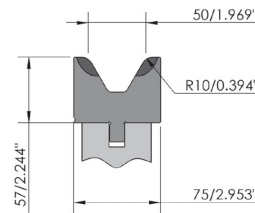
OZU-407

V=40 mm/1.575"
 $\alpha=40^\circ$
 3/16"



OZU-408

V=50 mm/1.969"
 $\alpha=60^\circ$
 1/4"



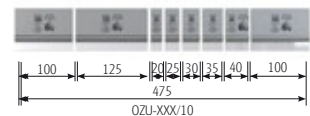
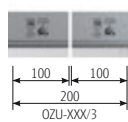
Type	Length	Weight		Max load
		kg	lbs	
OZU-407/1	515 mm	9.7	21.3	80 t/m 27 t/ft $\alpha=90^\circ$
OZU-407/10*	475 mm - sectioned	8.9	19.7	
OZU-407/3*	200 mm - sectioned	3.8	8.3	

Type	Length	Weight		Max load
		kg	lbs	
OZU-408/1	515 mm	14.2	31.2	100 t/m 34 t/ft $\alpha=90^\circ$
OZU-408/10*	475 mm - sectioned	13.1	28.8	
OZU-408/3*	200 mm - sectioned	5.5	12.1	

* Individual tool sections also available.

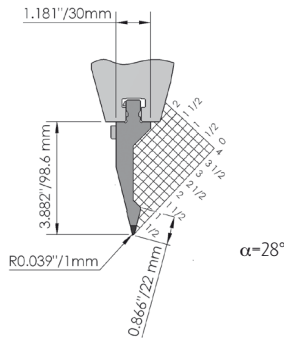
SEGMENTED TOOLING PROVIDES COMPLETE FLEXIBILITY

Create any desired tooling length from 20 mm/0.787" to machine length in 5 mm/0.197" increments by combining tool segments.

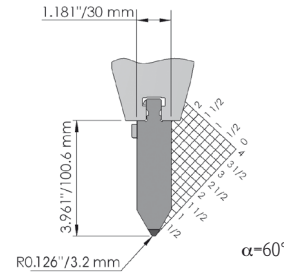


Examples of tool segments combined for various machine lengths			
475 mm/ 18.701" segmented set	200 mm/ 7.874"	515 mm/ 20.276"	Total length
1	1	1	1190 mm/46.9"
1	1	2	1705 mm/67.1"
1	2	3	2420 mm/95.3"
1		5	3050 mm/120.1"
1		6	3165 mm/124.6"
1	1	7	4580 mm/180.3"

BIU-805



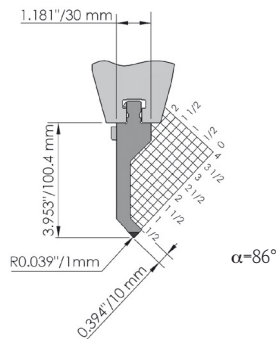
BIU-808



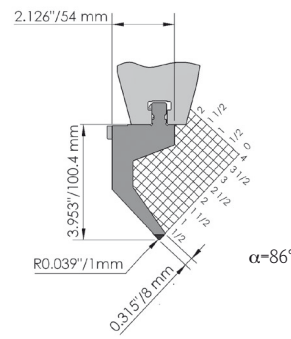
Type	Length	Weight		Max load
		kg	lbs	
BIU-805/1	515 mm	6.5	14.4	100 t/m 34 t/ft
BIU-805/2*	550 mm - sectioned	7.0	15.4	
BIU-805/3*	200 mm - sectioned	2.5	5.6	
BIU-805/6	200 mm	2.5	5.6	
BIU-805/11	200 mm - sectioned, horns	2.0	4.4	

Type	Length	Weight		Max load
		kg	lbs	
BIU-808/1	515 mm	11.8	26.0	160 t/m 54 t/ft
BIU-808/2*	550 mm - sectioned	12.7	27.9	
BIU-808/3*	200 mm - sectioned	4.6	10.1	
BIU-808/6	200 mm	4.6	10.1	
BIU-808/11	200 mm - sectioned, horns	3.6	7.9	

BIU-806



BIU-807

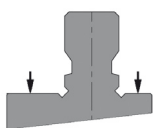


Type	Length	Weight		Max load
		kg	lbs	
BIU-806/1	515 mm	8.3	18.4	100 t/m 34 t/ft
BIU-806/2*	550 mm - sectioned	8.9	19.6	
BIU-806/3*	200 mm - sectioned	3.2	7.1	
BIU-806/6	200 mm	3.2	7.1	
BIU-806/11	200 mm - sectioned, horns	2.4	5.3	

Type	Length	Weight		Max load
		kg	lbs	
BIU-807/1	515 mm	11.4	25.2	65 t/m 22 t/ft
BIU-807/2*	550 mm - sectioned	12.2	26.9	
BIU-807/3*	200 mm - sectioned	4.4	9.8	
BIU-807/6	200 mm	4.4	9.8	
BIU-807/11	200 mm - sectioned, horns	3.3	7.3	

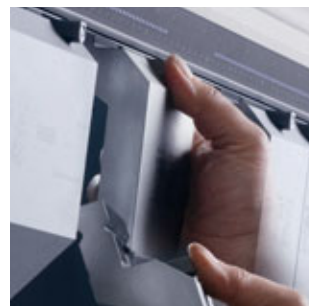
* Individual tool sections also available.

ADAPTION



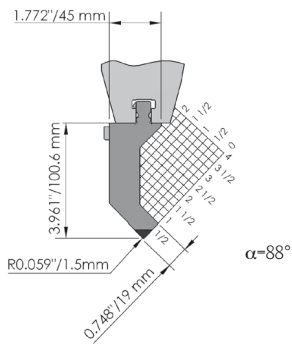
AS II shoulder load

SAFETY-CLICK®

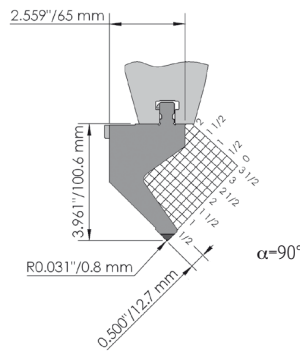


The Safety-Click® is WILA's patented safety mechanism which has been integrated into top tools with a weight up to 12.5 kg/28 lbs. This revolutionary mechanism allows tools to be changed vertically by simply clicking them in and out of the Clamping.

BIU-803



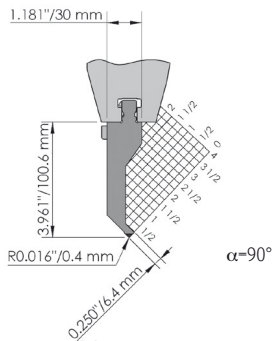
BIU-804



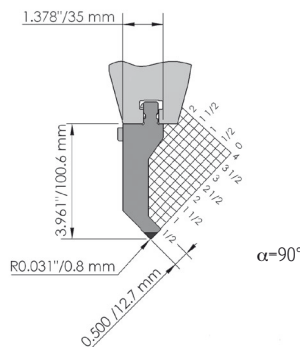
Type	Length	Weight		Max load
		kg	lbs	
BIU-803/1	515 mm	12.4	27.3	160 t/m 54 t/ft
BIU-803/2*	550 mm - sectioned	13.3	29.2	
BIU-803/3*	200 mm - sectioned	4.8	10.6	
BIU-803/6	200 mm	4.8	10.6	
BIU-803/11	200 mm - sectioned, horns	3.8	8.4	

Type	Length	Weight		Max load
		kg	lbs	
BIU-804/1**	515 mm	15.9	34.9	100 t/m 34 t/ft
BIU-804/2*	550 mm - sectioned	16.9	37.3	
BIU-804/3*	200 mm - sectioned	6.2	13.6	
BIU-804/6	200 mm	6.2	13.6	
BIU-804/11	200 mm - sectioned, horns	4.7	10.4	

BIU-801



BIU-802



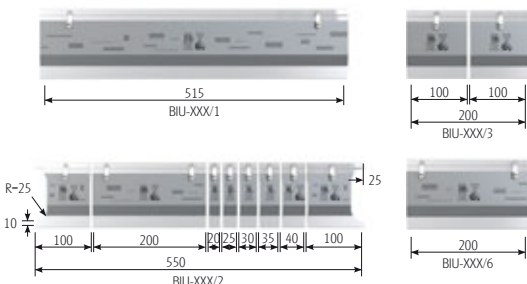
Type	Length	Weight		Max load
		kg	lbs	
BIU-801/1	515 mm	8.5	18.8	45 t/m 15 t/ft
BIU-801/2*	550 mm - sectioned	9.1	20.1	
BIU-801/3*	200 mm - sectioned	3.3	7.3	
BIU-801/6	200 mm	3.3	7.3	
BIU-801/11	200 mm - sectioned, horns	2.6	5.7	

Type	Length	Weight		Max load
		kg	lbs	
BIU-802/1	515 mm	10.5	23.1	100 t/m 34 t/ft
BIU-802/2*	550 mm - sectioned	11.2	24.7	
BIU-802/3*	200 mm - sectioned	4.1	9.0	
BIU-802/6	200 mm	4.1	9.0	
BIU-802/11	200 mm - sectioned, horns	3.1	6.8	

* Individual tool sections also available. ** Provided with fixed Safety-Pins (see page 42).

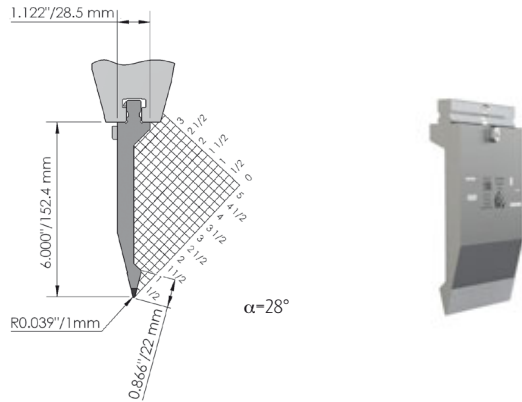
SEGMENTED TOOLING PROVIDES COMPLETE FLEXIBILITY

Create any desired tooling length from 20 mm/0.787" to machine length in 5 mm/0.197" increments by combining tool segments.

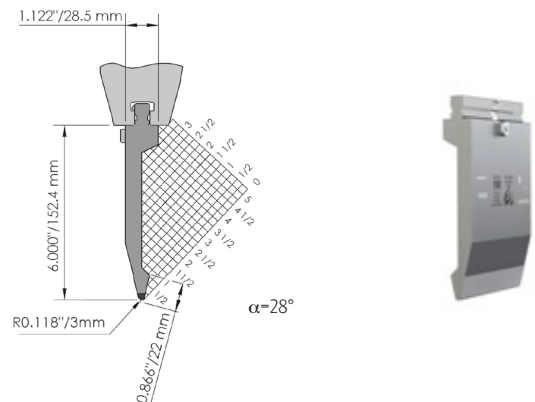


Examples of tool segments combined for various machine lengths			
550 mm/ 21.654" segmented set	200 mm 7.874"	515 mm 20.276"	Total length
1	1	1	1265 mm/49.8"
1	1	2	1780 mm/70.1"
1	2	3	2495 mm/98.2"
1		5	3125 mm/123"
1		6	3640 mm/143.3"
1	1	7	4355 mm/171.5"

BIU-815



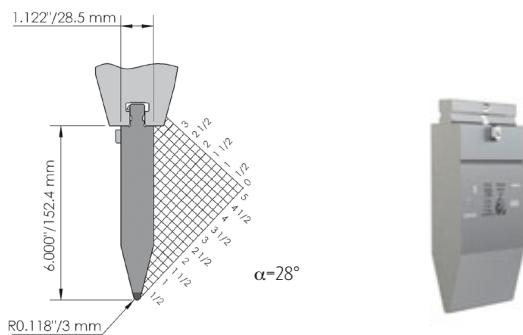
BIU-830



Type	Length	Weight		Max load
		kg	lbs	
BIU-815/1	515 mm	9.6	21.2	100 t/m 34 t/ft
BIU-815/2*	550 mm - sectioned	10.3	22.7	
BIU-815/3*	200 mm - sectioned	3.7	8.2	
BIU-815/6	200 mm	3.7	8.2	
BIU-815/11	200 mm - sectioned, horns	3.0	6.6	

Type	Length	Weight		Max load
		kg	lbs	
BIU-830/1	515 mm	10.0	22.0	100 t/m 34 t/ft
BIU-830/2*	550 mm - sectioned	10.7	23.6	
BIU-830/3*	200 mm - sectioned	3.9	8.6	
BIU-830/6	200 mm	3.9	8.6	
BIU-830/11	200 mm - sectioned, horns	3.1	6.8	

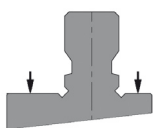
BIU-828



Type	Length	Weight		Max load
		kg	lbs	
BIU-828/1**	515 mm	16.3	36.0	160 t/m 54 t/ft
BIU-828/2*	550 mm - sectioned	17.4	38.4	
BIU-828/3*	200 mm - sectioned	6.3	14.0	
BIU-828/6	200 mm	6.3	14.0	
BIU-828/11	200 mm - sectioned, horns	4.8	10.6	

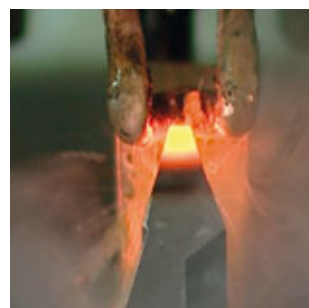
* Individual tool sections also available. ** Provided with fixed Safety-Pins (see page 42).

ADAPTION



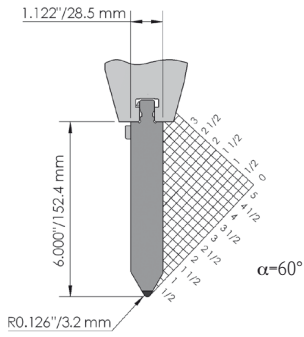
AS I shoulder load

CNC-DEEPHARDENING®

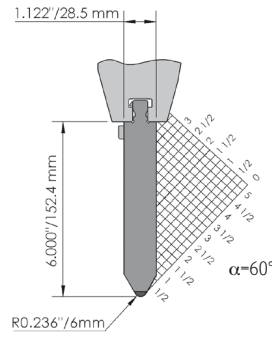


Almost all press brake tools produced by WILA are CNC-DeePhardened®. The same applies to WILA's New Standard Premium Tool Holders. This makes them extremely robust and durable. Our New Standard Premium and American Style top and bottom tools are hardened as shown here.

BIU-818



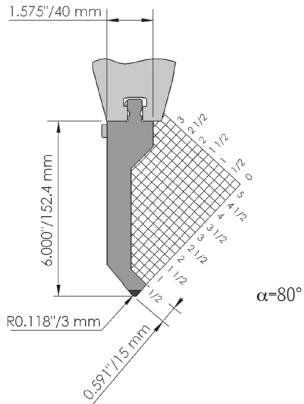
BIU-831



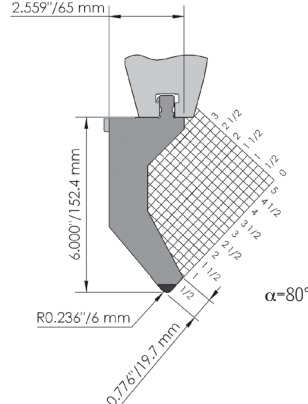
Type	Length	Weight		Max load
		kg	lbs	
BIU-818/1**	515 mm	15.6	34.4	160 t/m 54 t/ft
BIU-818/2*	550 mm - sectioned	16.7	36.7	
BIU-818/3*	200 mm - sectioned	6.1	13.3	
BIU-818/6	200 mm	6.1	13.3	
BIU-818/11	200 mm - sectioned, horns	5.2	11.5	

Type	Length	Weight		Max load
		kg	lbs	
BIU-831/1**	515 mm	17.6	38.8	160 t/m 54 t/ft
BIU-831/2*	550 mm - sectioned	18.8	41.4	
BIU-831/3*	200 mm - sectioned	6.8	14.9	
BIU-831/6	200 mm	6.8	14.9	
BIU-831/11	200 mm - sectioned, horns	5.3	11.7	

BIU-826



BIU-825



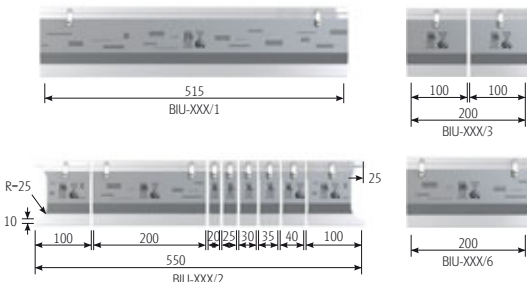
Type	Length	Weight		Max load
		kg	lbs	
BIU-826/1**	515 mm	15.2	33.6	120 t/m 40 t/ft
BIU-826/2*	550 mm - sectioned	16.3	35.9	
BIU-826/3*	200 mm - sectioned	5.9	13.0	
BIU-826/6	200 mm	5.9	13.0	
BIU-826/11	200 mm - sectioned, horns	4.5	9.9	

Type	Length	Weight		Max load
		kg	lbs	
BIU-825/1**	515 mm	23.7	52.2	130 t/m 44 t/ft
BIU-825/2*	550 mm - sectioned	25.3	55.7	
BIU-825/3*	200 mm - sectioned	9.2	20.3	
BIU-825/6	200 mm	9.2	20.3	
BIU-825/11	200 mm - sectioned, horns	7.2	15.9	

* Individual tool sections also available. ** Provided with fixed Safety-Pins (see page 42).

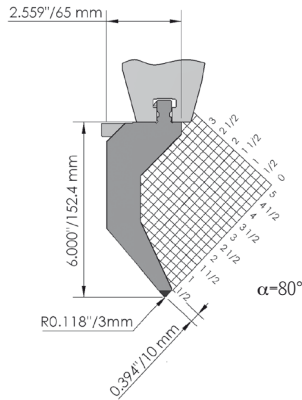
SEGMENTED TOOLING PROVIDES COMPLETE FLEXIBILITY

Create any desired tooling length from 20 mm/0.787" to machine length in 5 mm/0.197" increments by combining tool segments.

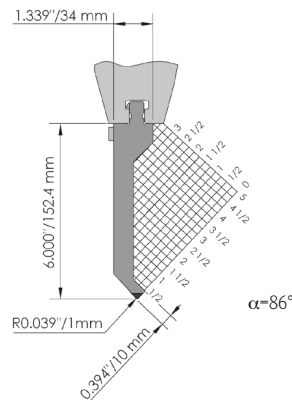


Examples of tool segments combined for various machine lengths			
550 mm/ 21.654" segmented set	200 mm 7.874"	515 mm 20.276"	Total length
1	1	1	1265 mm/49.8"
1	1	2	1780 mm/70.1"
1	2	3	2495 mm/98.2"
1		5	3125 mm/123"
1		6	3640 mm/143.3"
1	1	7	4355 mm/171.5"

BIU-832



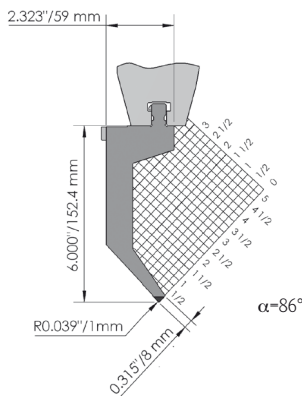
BIU-816



Type	Length	Weight		Max load
		kg	lbs	
BIU-832/1**	515 mm	20.8	45.9	90 t/m 30 t/ft
BIU-832/2*	550 mm - sectioned	22.2	48.9	
BIU-832/3*	200 mm - sectioned	8.1	17.9	
BIU-832/6	200 mm	8.1	17.9	
BIU-832/11	200 mm - sectioned, horns	6.3	13.9	

Type	Length	Weight		Max load
		kg	lbs	
BIU-816/1	515 mm	12.5	27.6	75 t/m 25 t/ft
BIU-816/2*	550 mm - sectioned	13.4	29.4	
BIU-816/3*	200 mm - sectioned	4.9	10.7	
BIU-816/6	200 mm	4.9	10.7	
BIU-816/11	200 mm - sectioned, horns	3.8	8.4	

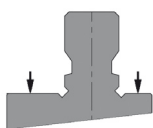
BIU-817



Type	Length	Weight		Max load
		kg	lbs	
BIU-817/1**	515 mm	17.5	38.6	65 t/m 22 t/ft
BIU-817/2*	550 mm - sectioned	18.7	41.2	
BIU-817/3*	200 mm - sectioned	6.8	15.0	
BIU-817/6	200 mm	6.8	15.0	
BIU-817/11	200 mm - sectioned, horns	5.2	11.5	

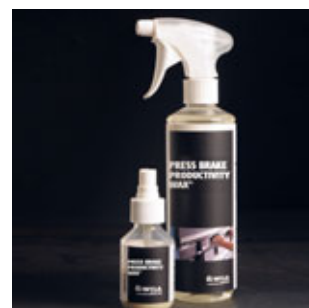
* Individual tool sections also available. ** Provided with fixed Safety-Pins (see page 42).

ADAPTION



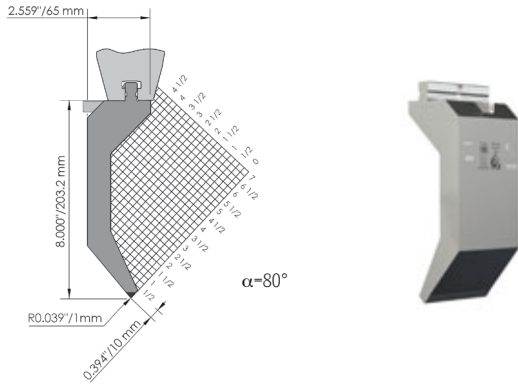
AS I shoulder load

PRESS BRAKE PRODUCTIVITY WAX

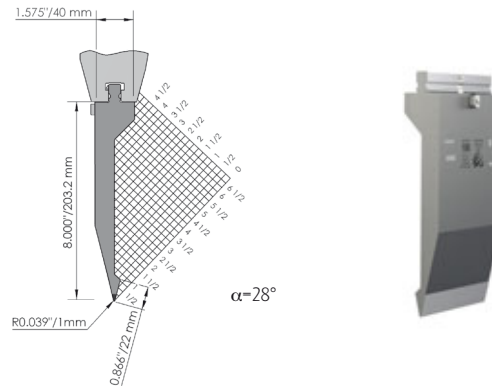


Press Brake Productivity Wax is a spray that has been specially developed for cleaning, maintaining and protecting WILA tools.

BIU-882



BIU-885



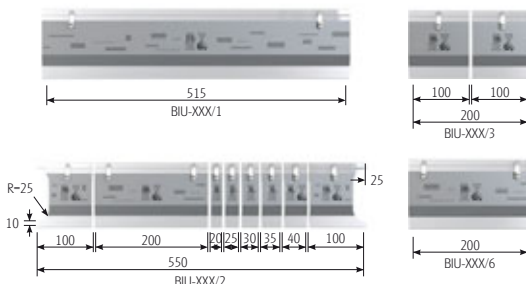
Type	Length	Weight		Max load
		kg	lbs	
BIU-882/1**	515 mm	24,7	54.5	85 t/m 29 t/ft
BIU-882/2	550 mm - sectioned	26,3	58.2	
BIU-882/3*	200 mm - sectioned	9,6	21.2	
BIU-882/6	200 mm	9,6	21.2	
BIU-882/11	200 mm - sectioned, horns	7,4	16.3	

Type	Length	Weight		Max load
		kg	lbs	
BIU-885/1**	515 mm	16,9	37.3	70 t/m 24 t/ft
BIU-885/2	550 mm - sectioned	18,0	39.7	
BIU-885/3*	200 mm - sectioned	6,6	14.6	
BIU-885/6	200 mm	6,6	14.6	
BIU-885/11	200 mm - sectioned, horns	5,0	11.0	

* Individual tool sections also available. ** Provided with fixed Safety-Pins (see page 42).

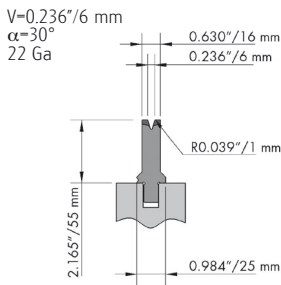
SEGMENTED TOOLING PROVIDES COMPLETE FLEXIBILITY

Create any desired tooling length from 20 mm/0.787" to machine length in 5 mm/0.197" increments by combining tool segments.

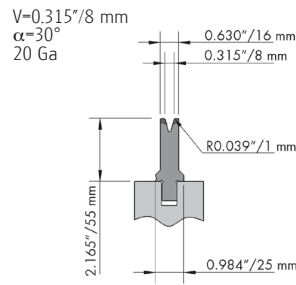


Examples of tool segments combined for various machine lengths			
550 mm/ 21.654" segmented set	200 mm 7.874"	515 mm 20.276"	Total length
1	1	1	1265 mm/49.8"
1	1	2	1780 mm/70.1"
1	2	3	2495 mm/98.2"
1		5	3125 mm/123"
1		6	3640 mm/143.3"
1	1	7	4355 mm/171.5"

OZU-809



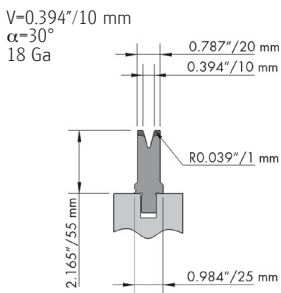
OZU-831



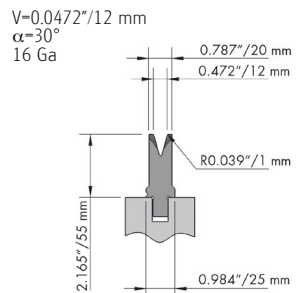
Type	Length	Weight		Max load
		kg	lbs	
OZU-809/1	515 mm	4.9	10.8	80 t/m 27 t/ft $\alpha=90^\circ$
OZU-809/2*	550 mm - sectioned	5.2	11.5	
OZU-809/3*	200 mm - sectioned	1.9	4.2	
OZU-809/6	200 mm	1.9	4.2	

Type	Length	Weight		Max load
		kg	lbs	
OZU-831/1	515 mm	4.9	10.8	80 t/m 27 t/ft $\alpha=90^\circ$
OZU-831/2*	550 mm - sectioned	5.2	11.5	
OZU-831/3*	200 mm - sectioned	1.9	4.2	
OZU-831/6	200 mm	1.9	4.2	

OZU-810



OZU-811

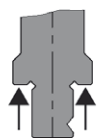


Type	Length	Weight		Max load
		kg	lbs	
OZU-810/1	515 mm	5.4	11.9	80 t/m 27 t/ft $\alpha=90^\circ$
OZU-810/2*	550 mm - sectioned	5.8	12.7	
OZU-810/3*	200 mm - sectioned	2.1	4.6	
OZU-810/6	200 mm	2.1	4.6	

Type	Length	Weight		Max load
		kg	lbs	
OZU-811/1	515 mm	5.2	11.3	80 t/m 27 t/ft $\alpha=90^\circ$
OZU-811/2*	550 mm - sectioned	5.5	12.1	
OZU-811/3*	200 mm - sectioned	2.0	4.4	
OZU-811/6	200 mm	2.0	4.4	

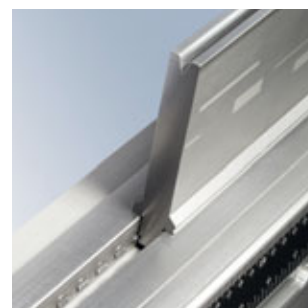
* Individual tool sections also available.

ADAPTION



**NS VI shoulder load
with V-Lock®**

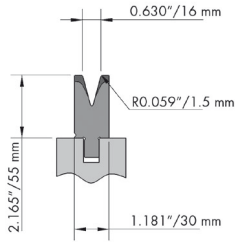
V-LOCK®



The V-Lock® improves the clamping and positioning of bottom tools. A groove in the tool tang allows specially designed clamping pins to automatically align and firmly clamp bottom tools in both X and Y directions.

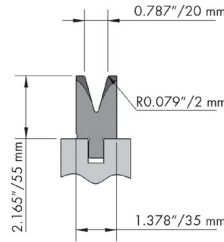
OZU-812

V=0.630"/16 mm
 $\alpha=30^\circ$
 14 Ga



OZU-813

V=0.787"/20 mm
 $\alpha=30^\circ$
 12 Ga

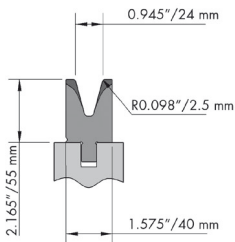


Type	Length	Weight		Max load
		kg	lbs	
OZU-812/1	515 mm	7.0	15.3	80 t/m 27 t/ft $\alpha=90^\circ$
OZU-812/2*	550 mm - sectioned	7.4	16.4	
OZU-812/3*	200 mm - sectioned	2.7	5.9	
OZU-812/6	200 mm	2.7	5.9	

Type	Length	Weight		Max load
		kg	lbs	
OZU-813/1	515 mm	7.7	17.0	80 t/m 27 t/ft $\alpha=90^\circ$
OZU-813/2*	550 mm - sectioned	8.3	18.2	
OZU-813/3*	200 mm - sectioned	3.0	6.6	
OZU-813/6	200 mm	3.0	6.6	

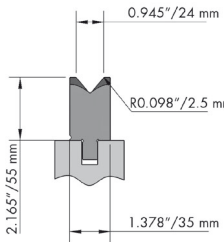
OZU-814

V=0.945"/24 mm
 $\alpha=30^\circ$
 11 Ga



OZU-808

V=0.945"/24 mm
 $\alpha=80^\circ$
 11 Ga



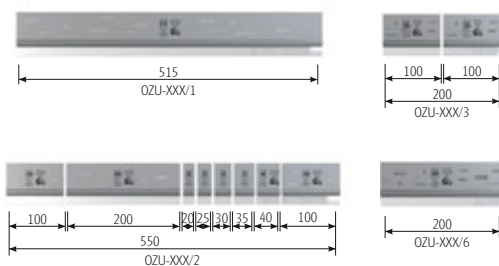
Type	Length	Weight		Max load
		kg	lbs	
OZU-814/1	515 mm	8.2	18.1	80 t/m 27 t/ft $\alpha=90^\circ$
OZU-814/2*	550 mm - sectioned	8.8	19.4	
OZU-814/3*	200 mm - sectioned	3.2	7.0	
OZU-814/6	200 mm	3.2	7.0	

Type	Length	Weight		Max load
		kg	lbs	
OZU-808/1	515 mm	8.2	18.1	125 t/m 42 t/ft $\alpha=90^\circ$
OZU-808/2*	550 mm - sectioned	8.8	19.4	
OZU-808/3*	200 mm - sectioned	3.2	7.0	
OZU-808/6	200 mm	3.2	7.0	

* Individual tool sections also available.

SEGMENTED TOOLING PROVIDES COMPLETE FLEXIBILITY

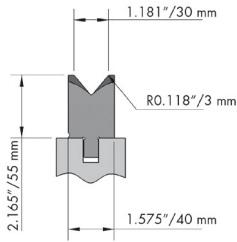
Create any desired tooling length from 20 mm/0.787" to machine length in 5 mm/0.197" increments by combining tool segments.



Examples of tool segments combined for various machine lengths			
550 mm/ 21.654" segmented set	200 mm 7.874"	515 mm 20.276"	Total length
1	1	1	1265 mm/49.8"
1	1	2	1780 mm/70.1"
1	2	3	2495 mm/98.2"
1		5	3125 mm/123"
1		6	3640 mm/143.3"
1	1	7	4355 mm/171.5"

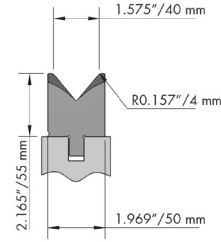
OZU-827

V=1.181"/30 mm
 $\alpha=80^\circ$
 10 Ga



OZU-828

V=1.575"/40 mm
 $\alpha=80^\circ$
 3/16"

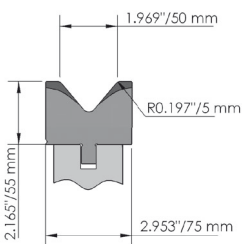


Type	Length	Weight		Max load
		kg	lbs	
OZU-827/1	515 mm	8.8	19.3	125 t/m 42 t/ft $\alpha=90^\circ$
OZU-827/2*	550 mm - sectioned	9.4	20.6	
OZU-827/3*	200 mm - sectioned	3.4	7.5	
OZU-827/6	200 mm	3.4	7.5	

Type	Length	Weight		Max load
		kg	lbs	
OZU-828/1	515 mm	10.8	23.8	125 t/m 42 t/ft $\alpha=90^\circ$
OZU-828/2*	550 mm - sectioned	11.6	25.4	
OZU-828/3*	200 mm - sectioned	4.2	9.3	
OZU-828/6	200 mm	4.2	9.3	

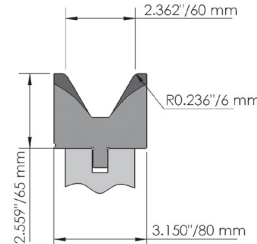
OZU-825

V=1.969"/50 mm
 $\alpha=80^\circ$
 1/4"



OZU-826

V=2.362"/60 mm
 $\alpha=60^\circ$
 5/16"



Type	Length	Weight		Max load
		kg	lbs	
OZU-825/1	515 mm	14.9	32.9	150 t/m 50 t/ft $\alpha=90^\circ$
OZU-825/2*	550 mm - sectioned	16.0	35.1	
OZU-825/3*	200 mm - sectioned	5.8	12.8	
OZU-825/6	200 mm	5.8	12.8	

Type	Length	Weight		Max load
		kg	lbs	
OZU-826/1	515 mm	16.5	36.3	160 t/m 54 t/ft $\alpha=90^\circ$
OZU-826/2*	550 mm - sectioned	17.6	38.8	
OZU-826/3*	200 mm - sectioned	6.4	14.1	
OZU-826/6	200 mm	6.4	14.1	

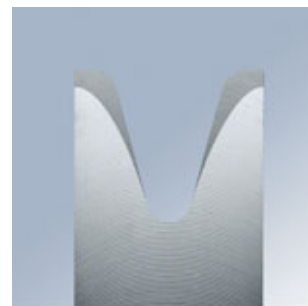
* Individual tool sections also available.

ADAPTION



NS V shoulder load

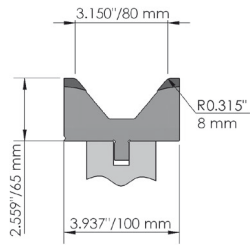
CNC-DEEPHARDENING®



Almost all press brake tools produced by WILA are CNC-Deepphardenen®. The same applies to WILA's New Standard Premium Tool Holders. This makes them extremely robust and durable. Our New Standard Premium and American Style top and bottom tools are hardened as shown here.

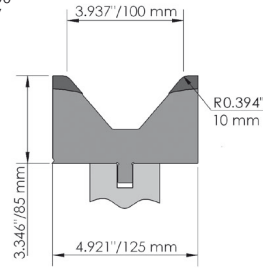
OZU-822

V=3.150"/80 mm
 $\alpha=80^\circ$
 3/8"



OZU-821

V=3.937"/100 mm
 $\alpha=80^\circ$
 1/2"

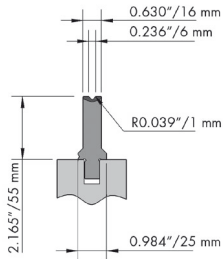


Type	Length	Weight		Max load
		kg	lbs	
OZU-822/1	515 mm	19.8	43.7	150 t/m 50 t/ft $\alpha=90^\circ$
OZU-822/12	255 mm	9.8	21.6	

Type	Length	Weight		Max load
		kg	lbs	
OZU-821/1	515 mm	32.2	70.9	150 t/m 50 t/ft $\alpha=90^\circ$
OZU-821/12	255 mm	15.9	35.1	

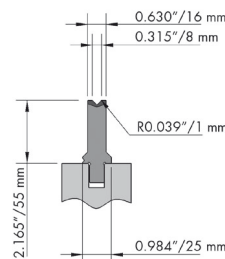
OZU-829

V=0.236"/6 mm
 $\alpha=86^\circ$
 22 Ga



OZU-830

V=0.315"/8 mm
 $\alpha=86^\circ$
 20 Ga



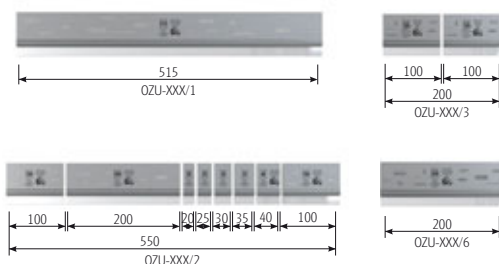
Type	Length	Weight		Max load
		kg	lbs	
OZU-829/1	515 mm	4.9	10.8	120 t/m 40 t/ft
OZU-829/2*	550 mm - sectioned	5.2	11.5	
OZU-829/3*	200 mm - sectioned	1.9	4.2	
OZU-829/6	200 mm	1.9	4.2	

Type	Length	Weight		Max load
		kg	lbs	
OZU-830/1	515 mm	4.9	10.8	120 t/m 40 t/ft
OZU-830/2*	550 mm - sectioned	5.2	11.5	
OZU-830/3*	200 mm - sectioned	1.9	4.2	
OZU-830/6	200 mm	1.9	4.2	

* Individual tool sections also available.

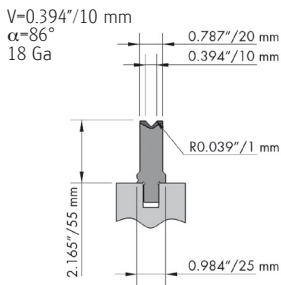
SEGMENTED TOOLING PROVIDES COMPLETE FLEXIBILITY

Create any desired tooling length from 20 mm/0.787" to machine length in 5 mm/0.197" increments by combining tool segments.

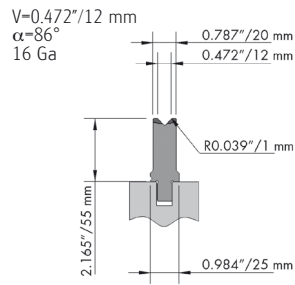


Examples of tool segments combined for various machine lengths			
550 mm/ 21.654" segmented set	200 mm 7.874"	515 mm 20.276"	Total length
1	1	1	1265 mm/49.8"
1	1	2	1780 mm/70.1"
1	2	3	2495 mm/98.2"
1		5	3125 mm/123"
1		6	3640 mm/143.3"
1	1	7	4355 mm/171.5"

OZU-804



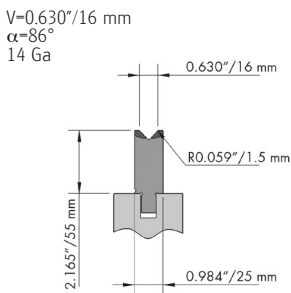
OZU-805



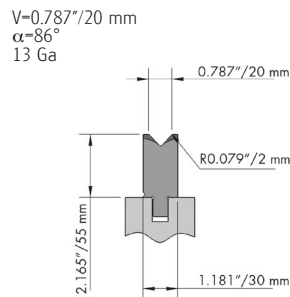
Type	Length	Weight		Max load
		kg	lbs	
OZU-804/1	515 mm	5.7	12.5	120 t/m 40 t/ft
OZU-804/2*	550 mm - sectioned	6.1	13.3	
OZU-804/3*	200 mm - sectioned	2.2	4.8	
OZU-804/6	200 mm	2.2	4.8	

Type	Length	Weight		Max load
		kg	lbs	
OZU-805/1	515 mm	5.7	12.5	120 t/m 40 t/ft
OZU-805/2*	550 mm - sectioned	6.1	13.3	
OZU-805/3*	200 mm - sectioned	2.2	4.8	
OZU-805/6	200 mm	2.2	4.8	

OZU-806



OZU-807

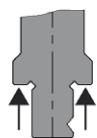


Type	Length	Weight		Max load
		kg	lbs	
OZU-806/1	515 mm	6.7	14.7	120 t/m 40 t/ft
OZU-806/2*	550 mm - sectioned	7.2	15.7	
OZU-806/3*	200 mm - sectioned	2.6	5.7	
OZU-806/6	200 mm	2.6	5.7	

Type	Length	Weight		Max load
		kg	lbs	
OZU-807/1	515 mm	7.7	17.0	120 t/m 40 t/ft
OZU-807/2*	550 mm - sectioned	8.3	18.2	
OZU-807/3*	200 mm - sectioned	3.0	6.6	
OZU-807/6	200 mm	3.0	6.6	

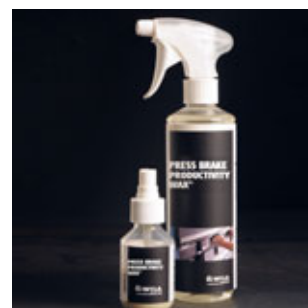
* Individual tool sections also available.

ADAPTION



**NS VI shoulder load
 with V-Lock®**

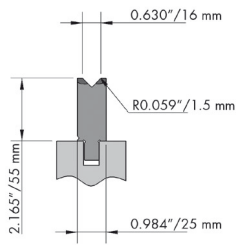
PRESS BRAKE PRODUCTIVITY WAX



Press Brake Productivity Wax is a spray that has been specially developed for cleaning, maintaining and protecting WILA tools.

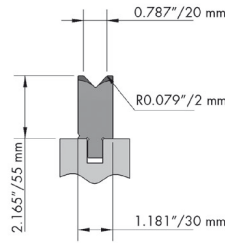
OZU-817

V=0.630"/16 mm
 $\alpha=88^\circ$
 14 Ga



OZU-818

V=0.787"/20 mm
 $\alpha=88^\circ$
 13 Ga

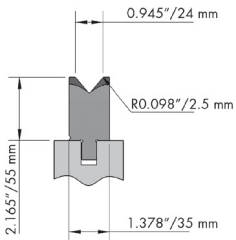


Type	Length	Weight		Max load
		kg	lbs	
OZU-817/1	515 mm	6.7	14.7	120 t/m 40 t/ft
OZU-817/2*	550 mm - sectioned	7.2	15.7	
OZU-817/3*	200 mm - sectioned	2.6	5.7	
OZU-817/6	200 mm	2.6	5.7	

Type	Length	Weight		Max load
		kg	lbs	
OZU-818/1	515 mm	7.7	17.0	120 t/m 40 t/ft
OZU-818/2*	550 mm - sectioned	8.3	18.2	
OZU-818/3*	200 mm - sectioned	3.0	6.6	
OZU-818/6	200 mm	3.0	6.6	

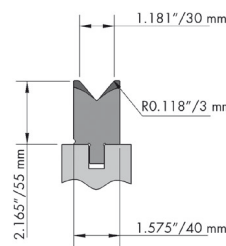
OZU-819

V=0.945"/24 mm
 $\alpha=88^\circ$
 11 Ga



OZU-820

V=1.181"/30 mm
 $\alpha=88^\circ$
 10 Ga



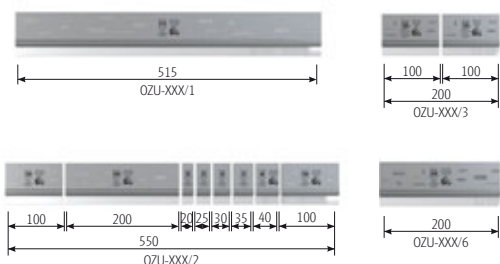
Type	Length	Weight		Max load
		kg	lbs	
OZU-819/1	515 mm	8.2	18.1	120 t/m 40 t/ft
OZU-819/2*	550 mm - sectioned	8.8	19.4	
OZU-819/3*	200 mm - sectioned	3.2	7.0	
OZU-819/6	200 mm	3.2	7.0	

Type	Length	Weight		Max load
		kg	lbs	
OZU-820/1	515 mm	8.8	19.3	120 t/m 40 t/ft
OZU-820/2*	550 mm - sectioned	9.4	20.6	
OZU-820/3*	200 mm - sectioned	3.4	7.5	
OZU-820/6	200 mm	3.4	7.5	

* Individual tool sections also available.

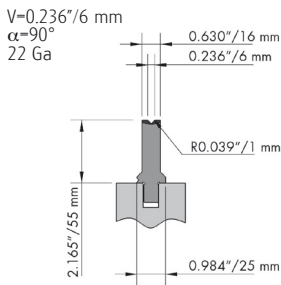
SEGMENTED TOOLING PROVIDES COMPLETE FLEXIBILITY

Create any desired tooling length from 20 mm/0.787" to machine length in 5 mm/0.197" increments by combining tool segments.

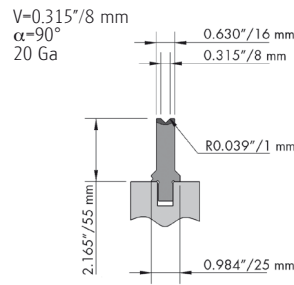


Examples of tool segments combined for various machine lengths			
550 mm/ 21.654" segmented set	200 mm 7.874"	515 mm 20.276"	Total length
1	1	1	1265 mm/49.8"
1	1	2	1780 mm/70.1"
1	2	3	2495 mm/98.2"
1		5	3125 mm/123"
1		6	3640 mm/143.3"
1	1	7	4355 mm/171.5"

OZU-801



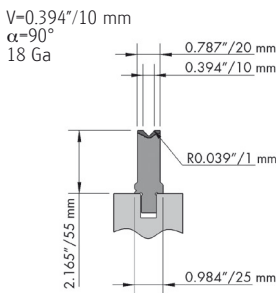
OZU-823



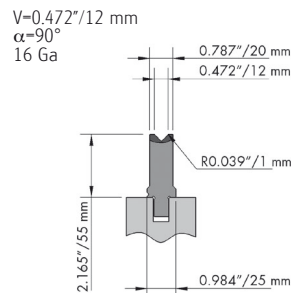
Type	Length	Weight		Max load
		kg	lbs	
OZU-801/1	515 mm	4.9	10.8	120 t/m 40 t/ft
OZU-801/2*	550 mm - sectioned	5.2	11.5	
OZU-801/3*	200 mm - sectioned	1.9	4.2	
OZU-801/6	200 mm	1.9	4.2	

Type	Length	Weight		Max load
		kg	lbs	
OZU-823/1	515 mm	4.9	10.8	120 t/m 40 t/ft
OZU-823/2*	550 mm - sectioned	5.2	11.5	
OZU-823/3*	200 mm - sectioned	1.9	4.2	
OZU-823/6	200 mm	1.9	4.2	

OZU-802



OZU-803

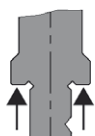


Type	Length	Weight		Max load
		kg	lbs	
OZU-802/1	515 mm	5.7	12.5	120 t/m 40 t/ft
OZU-802/2*	550 mm - sectioned	6.1	13.3	
OZU-802/3*	200 mm - sectioned	2.2	4.8	
OZU-802/6	200 mm	2.2	4.8	

Type	Length	Weight		Max load
		kg	lbs	
OZU-803/1	515 mm	5.7	12.5	120 t/m 40 t/ft
OZU-803/2*	550 mm - sectioned	6.1	13.3	
OZU-803/3*	200 mm - sectioned	2.2	4.8	
OZU-803/6	200 mm	2.2	4.8	

* Individual tool sections also available.

ADAPTION



**NS VI shoulder load
 with V-Lock®**

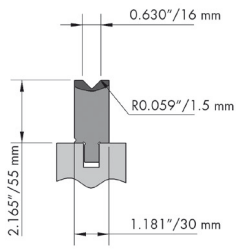
TOOL ADVISOR



This high-end engineering tool allows you to make a decision online about which press brake tools are best suited to your specific bending needs. If the required tool is unavailable as a standard solution, it is possible to immediately design a special tool and order it via the WILA Webshop.

OZU-824

V=0.630"/16 mm
 $\alpha=90^\circ$
 14 Ga

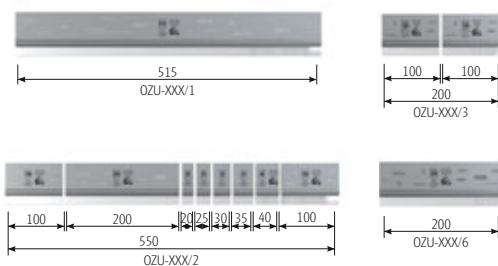


Type	Length	Weight		Max load
		kg	lbs	
OZU-824/1	515 mm	7.7	17.0	120 t/m 40 t/ft
OZU-824/2*	550 mm - sectioned	8.3	18.2	
OZU-824/3*	200 mm - sectioned	3.0	6.6	
OZU-824/6	200 mm	3.0	6.6	

* Individual tool sections also available.

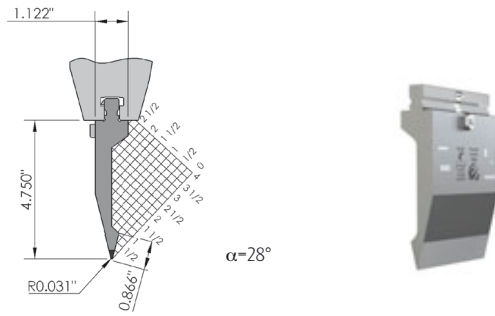
SEGMENTED TOOLING PROVIDES COMPLETE FLEXIBILITY

Create any desired tooling length from 20 mm/0.787" to machine length in 5 mm/0.197" increments by combining tool segments.

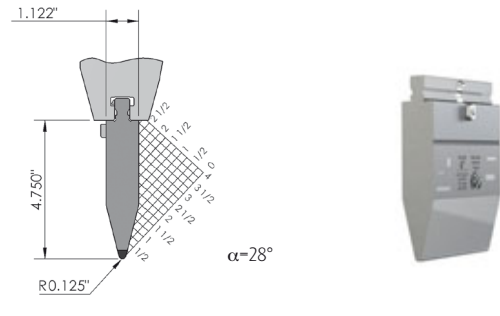


Examples of tool segments combined for various machine lengths			
550 mm/ 21.654" segmented set	200 mm 7.874"	515 mm 20.276"	Total length
1	1	1	1265 mm/49.8"
1	1	2	1780 mm/70.1"
1	2	3	2495 mm/98.2"
1		5	3125 mm/123"
1		6	3640 mm/143.3"
1	1	7	4355 mm/171.5"

BIU-904



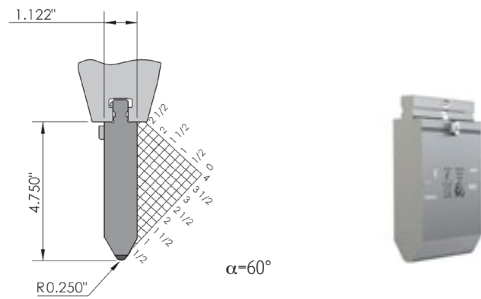
BIU-908



Type	Length	Weight		Max load
		kg	lbs	
BIU-904/7	20 inch	7.5	16.4	70 t/m 24 t/ft
BIU-904/8*	18.5 inch - sectioned	6.9	15.2	
BIU-904/9*	8 inch - sectioned	2.4	5.3	

Type	Length	Weight		Max load
		kg	lbs	
BIU-908/7	20 inch	12.3	27.2	100 t/m 34 t/ft
BIU-908/8*	18.5 inch - sectioned	11.4	25.2	
BIU-908/9*	8 inch - sectioned	3.8	8.4	

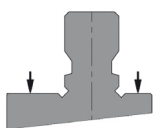
BIU-918



Type	Length	Weight		Max load
		kg	lbs	
BIU-918/7**	20 inch	13	28.7	100 t/m 34 t/ft
BIU-918/8*	18.5 inch - sectioned	12	26.6	
BIU-918/9*	8 inch - sectioned	4.3	9.5	

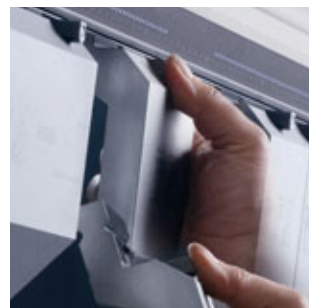
* Individual tool sections also available. ** Provided with fixed Safety-Pins (see page 42).

ADAPTION



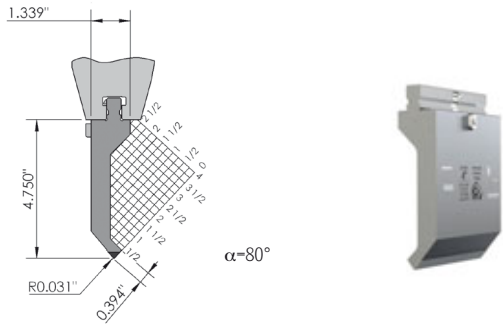
AS II shoulder load

SAFETY-CLICK®

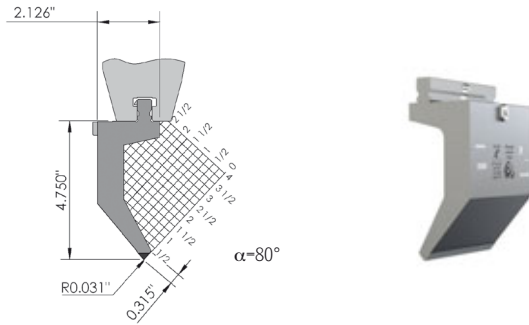


The Safety-Click® is WILA's patented safety mechanism which has been integrated into top tools with a weight up to 12.5 kg/28 lbs. This revolutionary mechanism allows tools to be changed vertically by simply clicking them in and out of the Clamping.

BIU-905



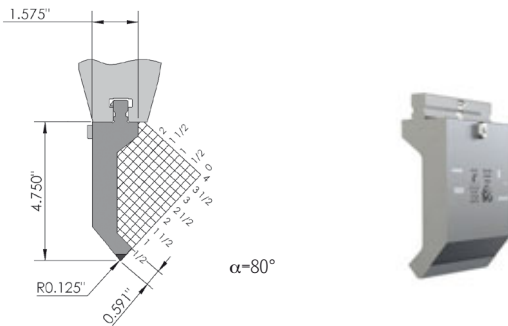
BIU-906



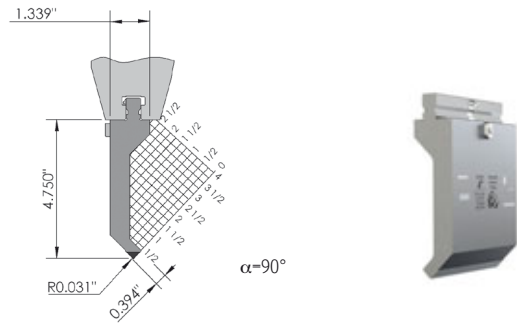
Type	Length	Weight		Max load
		kg	lbs	
BIU-905/7	20 inch	9.9	21.8	75 t/m 25 t/ft
BIU-905/8*	18.5 inch - sectioned	9.2	20.2	
BIU-905/9*	8 inch - sectioned	3.1	6.8	

Type	Length	Weight		Max load
		kg	lbs	
BIU-906/7	20 inch	12.3	27.2	65 t/m 22 t/ft
BIU-906/8*	18.5 inch - sectioned	11.4	25.2	
BIU-906/9*	8 inch - sectioned	3.9	8.6	

BIU-907



BIU-901

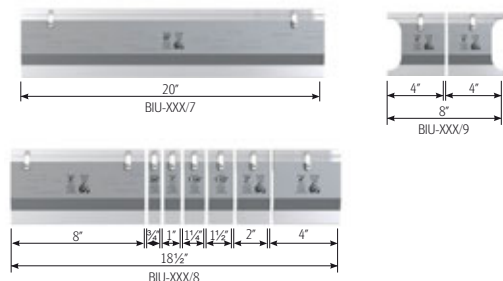


Type	Length	Weight		Max load
		kg	lbs	
BIU-907/7	20 inch	12.0	26.5	120 t/m 40 t/ft
BIU-907/8*	18.5 inch - sectioned	11.1	24.5	
BIU-907/9*	8 inch - sectioned	3.8	8.4	

Type	Length	Weight		Max load
		kg	lbs	
BIU-901/7	20 inch	10.1	22.2	75 t/m 25 t/ft
BIU-901/8*	18.5 inch - sectioned	9.3	20.5	
BIU-901/9*	8 inch - sectioned	3.2	7.1	

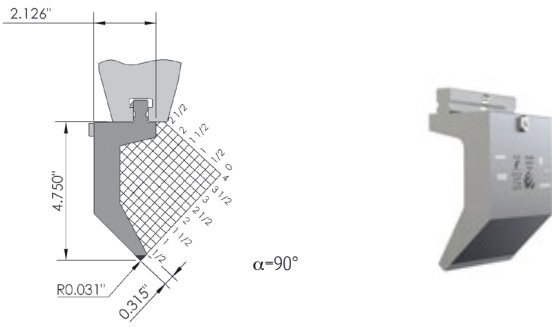
SEGMENTED TOOLING PROVIDES COMPLETE FLEXIBILITY

Create any desired tooling length from 0.75" to machine length in 0.25" increments by combining tool segments.

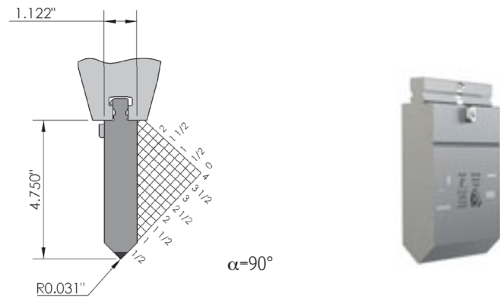


Examples of tool segments combined for various machine lengths			
18.5"	2 x 4"	20" solid	Total length
1		3	78.5"
1		4	98.5"
1	1	5	126.5"
1	1	6	146.5"
1	1	7	166.5"

BIU-902



BIU-903



Type	Length	Weight		Max load
		kg	lbs	
BIU-902/7**	20 inch	13.0	28.5	75 t/m 25 t/ft
BIU-902/8*	18.5 inch - sectioned	12.0	26.4	
BIU-902/9*	8 inch - sectioned	4.1	9.0	

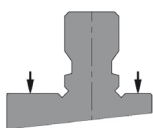
Type	Length	Weight		Max load
		kg	lbs	
BIU-903/7**	20 inch	13.8	30.4	120 t/m 40 t/ft
BIU-903/8*	18.5 inch - sectioned	12.8	28.2	
BIU-903/9*	8 inch - sectioned	4.3	9.5	

TOOLING

AMERICAN VINTAGE

* Individual tool sections also available. ** Provided with fixed Safety-Pins (see page 42).

ADAPTION



AS II shoulder load



NS VI shoulder load with V-Lock®

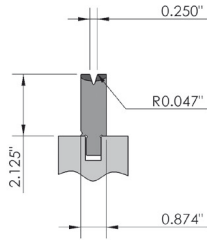
MANUAL CLAMPING SYSTEM



Within the framework of its UPB concept WILA has also included a mechanical clamping system in its program for American Style tools. This is a mechanical system in which the clamping is achieved by a continuous body with clamping plates. The top tools are clamped by manually tightening the clamping plates; the tools are not seated automatically. This mechanical system can be used for both the standard American Style top tools and the American Style top tools WILA re-designed with Safety-Click®.

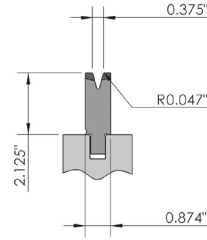
OZU-901

V=0.250"/6.4 mm
 $\alpha=30^\circ$
 22 Ga



OZU-902

V=0.375"/9.5 mm
 $\alpha=30^\circ$
 18 Ga

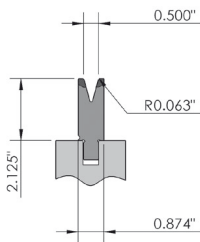


Type	Length	Weight		Max load
		kg	lbs	
OZU-901/7	20 inch	5.5	12.1	60 t/m 20 t/ft $\alpha=90^\circ$
OZU-901/8*	18.5 inch - sectioned	5.1	11.2	
OZU-901/9*	8 inch - sectioned	2.2	4.8	

Type	Length	Weight		Max load
		kg	lbs	
OZU-902/7	20 inch	5.3	11.6	60 t/m 20 t/ft $\alpha=90^\circ$
OZU-902/8*	18.5 inch - sectioned	4.9	10.8	
OZU-902/9*	8 inch - sectioned	2.1	4.7	

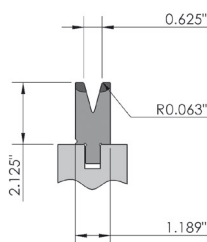
OZU-903

V=0.500"/12.7 mm
 $\alpha=30^\circ$
 16 Ga



OZU-904

V=0.625"/15.9 mm
 $\alpha=30^\circ$
 14 Ga



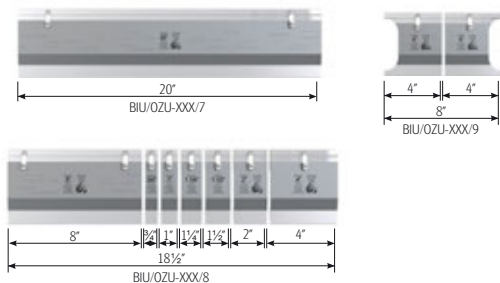
Type	Length	Weight		Max load
		kg	lbs	
OZU-903/7	20 inch	5.0	11.1	60 t/m 20 t/ft $\alpha=90^\circ$
OZU-903/8*	18.5 inch - sectioned	4.7	10.2	
OZU-903/9*	8 inch - sectioned	2.0	4.4	

Type	Length	Weight		Max load
		kg	lbs	
OZU-904/7	20 inch	6.5	14.2	60 t/m 20 t/ft $\alpha=90^\circ$
OZU-904/8*	18.5 inch - sectioned	6.0	13.1	
OZU-904/9*	8 inch - sectioned	2.6	5.7	

* Individual tool sections also available.

SEGMENTED TOOLING PROVIDES COMPLETE FLEXIBILITY

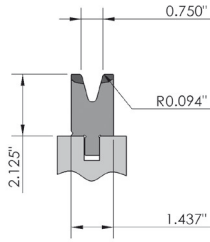
Create any desired tooling length from 0.75" to machine length in 0.25" increments by combining tool segments.



Examples of tool segments combined for various machine lengths			
18.5"	2 x 4"	20" solid	Total length
1		3	78.5"
1		4	98.5"
1	1	5	126.5"
1	1	6	146.5"
1	1	7	166.5"

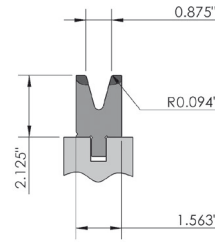
OZU-905

V=0.750"/19.1 mm
 $\alpha=30^\circ$
 13 Ga



OZU-906

V=0.875"/22.2 mm
 $\alpha=30^\circ$
 12 Ga

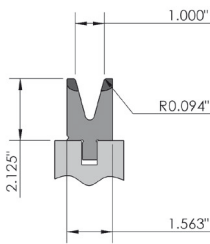


Type	Length	Weight		Max load
		kg	lbs	
OZU-905/7	20 inch	7.4	16.2	60 t/m 20 t/ft $\alpha=90^\circ$
OZU-905/8*	18.5 inch - sectioned	6.8	15.0	
OZU-905/9*	8 inch - sectioned	2.9	6.5	

Type	Length	Weight		Max load
		kg	lbs	
OZU-906/7	20 inch	7.7	16.9	60 t/m 20 t/ft $\alpha=90^\circ$
OZU-906/8*	18.5 inch - sectioned	7.1	15.6	
OZU-906/9*	8 inch - sectioned	3.1	6.8	

OZU-907

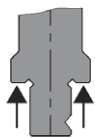
V=1.000"/25.4 mm
 $\alpha=30^\circ$
 11 Ga



Type	Length	Weight		Max load
		kg	lbs	
OZU-907/7	20 inch	7.2	15.9	60 t/m 20 t/ft $\alpha=90^\circ$
OZU-907/8*	18.5 inch - sectioned	6.7	14.7	
OZU-907/9*	8 inch - sectioned	2.9	6.4	

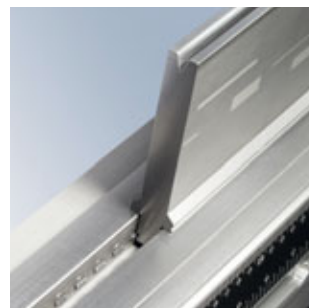
* Individual tool sections also available.

ADAPTION



**NS VI shoulder load
 with V-Lock®**

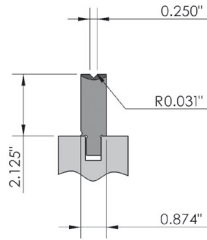
V-LOCK®



The V-Lock® improves the clamping and positioning of bottom tools. A groove in the tool tang allows specially designed clamping pins to automatically align and firmly clamp bottom tools in both X and Y directions.

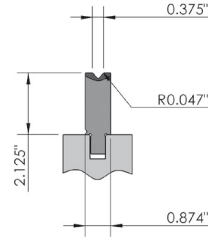
OZU-910

V=0.250"/6.4 mm
 $\alpha=80^\circ$
 22 Ga



OZU-911

V=0.375"/9.5 mm
 $\alpha=80^\circ$
 18 Ga

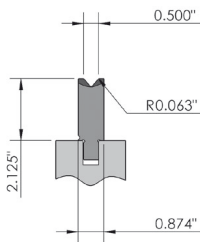


Type	Length	Weight		Max load
		kg	lbs	
OZU-910/7	20 inch	5.6	12.3	80 t/m 27 t/ft $\alpha=90^\circ$
OZU-910/8*	18.5 inch - sectioned	5.2	11.4	
OZU-910/9*	8 inch - sectioned	2.2	4.9	

Type	Length	Weight		Max load
		kg	lbs	
OZU-911/7	20 inch	5.5	12.1	80 t/m 27 t/ft $\alpha=90^\circ$
OZU-911/8*	18.5 inch - sectioned	5.1	11.2	
OZU-911/9*	8 inch - sectioned	2.2	4.8	

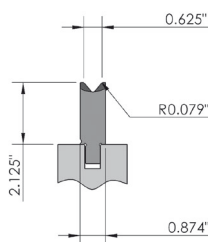
OZU-912

V=0.500"/12.7 mm
 $\alpha=80^\circ$
 16 Ga



OZU-913

V=0.625"/15.9 mm
 $\alpha=80^\circ$
 14 Ga



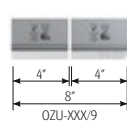
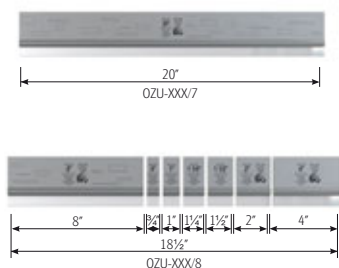
Type	Length	Weight		Max load
		kg	lbs	
OZU-912/7	20 inch	5.4	12.0	80 t/m 27 t/ft $\alpha=90^\circ$
OZU-912/8*	18.5 inch - sectioned	5.0	11.1	
OZU-912/9*	8 inch - sectioned	2.2	4.8	

Type	Length	Weight		Max load
		kg	lbs	
OZU-913/7	20 inch	5.3	11.7	80 t/m 27 t/ft $\alpha=90^\circ$
OZU-913/8*	18.5 inch - sectioned	4.9	10.9	
OZU-913/9*	8 inch - sectioned	2.1	4.7	

* Individual tool sections also available.

SEGMENTED TOOLING PROVIDES COMPLETE FLEXIBILITY

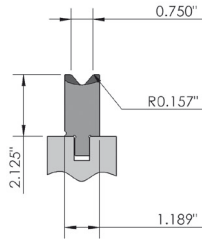
Create any desired tooling length from 0.75" to machine length in 0.25" increments by combining tool segments.



Examples of tool segments combined for various machine lengths			
18.5"	2 x 4"	20" solid	Total length
1		3	78.5"
1		4	98.5"
1	1	5	126.5"
1	1	6	146.5"
1	1	7	166.5"

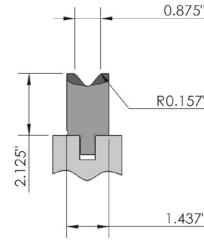
OZU-914

V=0.750"/19.1 mm
 $\alpha=80^\circ$
 13 Ga



OZU-915

V=0.875"/22.2 mm
 $\alpha=80^\circ$
 12 Ga

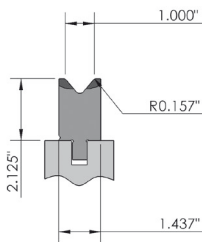


Type	Length	Weight		Max load
		kg	lbs	
OZU-914/7	20 inch	6.9	15.2	80 t/m 27 t/ft $\alpha=90^\circ$
OZU-914/8*	18.5 inch - sectioned	6.4	14.1	
OZU-914/9*	8 inch - sectioned	2.8	6.1	

Type	Length	Weight		Max load
		kg	lbs	
OZU-915/7	20 inch	8.1	17.8	80 t/m 27 t/ft $\alpha=90^\circ$
OZU-915/8*	18.5 inch - sectioned	7.5	16.5	
OZU-915/9*	8 inch - sectioned	3.2	7.1	

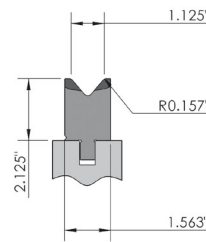
OZU-916

V=1.000"/25.4 mm
 $\alpha=80^\circ$
 11 Ga



OZU-917

V=1.125"/28.6 mm
 $\alpha=80^\circ$
 10 Ga

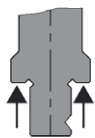


Type	Length	Weight		Max load
		kg	lbs	
OZU-916/7	20 inch	7.9	17.5	80 t/m 27 t/ft $\alpha=90^\circ$
OZU-916/8*	18.5 inch - sectioned	7.3	16.1	
OZU-916/9*	8 inch - sectioned	3.2	7.0	

Type	Length	Weight		Max load
		kg	lbs	
OZU-917/7	20 inch	8.4	18.6	100 t/m 34 t/ft $\alpha=90^\circ$
OZU-917/8*	18.5 inch - sectioned	7.8	17.2	
OZU-917/9*	8 inch - sectioned	3.4	7.4	

* Individual tool sections also available.

ADAPTION



**NS VI shoulder load
 with V-Lock®**

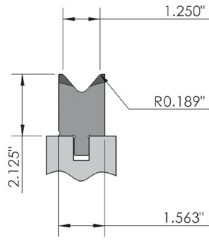
TOOL ADVISOR



This high-end engineering tool allows you to make a decision online about which press brake tools are best suited to your specific bending needs. If the required tool is unavailable as a standard solution, it is possible to immediately design a special tool and order it via the WILA Webshop.

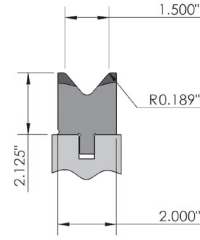
OZU-918

V=1.250"/31.8 mm
 $\alpha=80^\circ$
 10 Ga



OZU-919

V=1.500"/38.1 mm
 $\alpha=80^\circ$
 3/16"

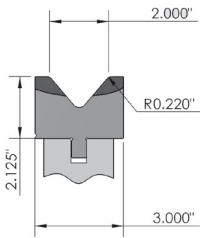


Type	Length	Weight		Max load
		kg	lbs	
OZU-918/7	20 inch	8.2	18.0	100 t/m 34 t/ft $\alpha=90^\circ$
OZU-918/8*	18.5 inch - sectioned	7.6	16.7	
OZU-918/9*	8 inch - sectioned	3.3	7.2	

Type	Length	Weight		Max load
		kg	lbs	
OZU-919/7	20 inch	10.1	22.2	100 t/m 34 t/ft $\alpha=90^\circ$
OZU-919/8*	18.5 inch - sectioned	9.3	20.5	
OZU-919/9*	8 inch - sectioned	4.0	8.9	

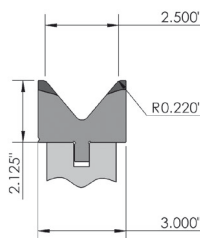
OZU-920

V=2.000"/50.8 mm
 $\alpha=80^\circ$
 1/4"



OZU-921

V=02.500"/63.5 mm
 $\alpha=80^\circ$
 5/16"



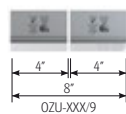
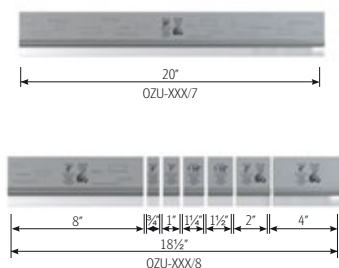
Type	Length	Weight		Max load
		kg	lbs	
OZU-920/7	20 inch	14.2	31.3	100 t/m 34 t/ft $\alpha=90^\circ$
OZU-920/8*	18.5 inch - sectioned	13.2	29.0	
OZU-920/9*	8 inch - sectioned	5.7	12.5	

Type	Length	Weight		Max load
		kg	lbs	
OZU-921/7	20 inch	12.5	27.5	100 t/m 34 t/ft $\alpha=90^\circ$
OZU-921/8*	18.5 inch - sectioned	11.6	25.5	
OZU-921/9*	8 inch - sectioned	5.0	11.0	

* Individual tool sections also available.

SEGMENTED TOOLING PROVIDES COMPLETE FLEXIBILITY

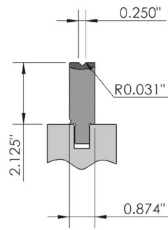
Create any desired tooling length from 0.75" to machine length in 0.25" increments by combining tool segments.



Examples of tool segments combined for various machine lengths			
18.5"	2 x 4"	20" solid	Total length
1		3	78.5"
1		4	98.5"
1	1	5	126.5"
1	1	6	146.5"
1	1	7	166.5"

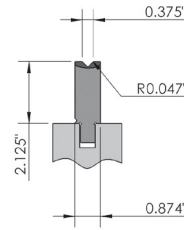
OZU-940

V=0.250"/6.4 mm
 $\alpha=90^\circ$
 22 Ga



OZU-941

V=0.375"/9.5 mm
 $\alpha=90^\circ$
 18 Ga

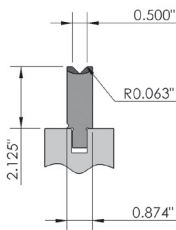


Type	Length	Weight		Max load
		kg	lbs	
OZU-940/7	20 inch	5.6	12.3	100 t/m 34 t/ft
OZU-940/8*	18.5 inch - sectioned	5.2	11.4	
OZU-940/9*	8 inch - sectioned	2.2	4.9	

Type	Length	Weight		Max load
		kg	lbs	
OZU-941/7	20 inch	5.5	12.2	100 t/m 34 t/ft
OZU-941/8*	18.5 inch - sectioned	5.1	11.3	
OZU-941/9*	8 inch - sectioned	2.2	4.9	

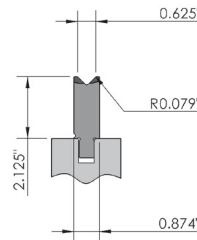
OZU-942

V=0.500"/12.7 mm
 $\alpha=90^\circ$
 16 Ga



OZU-943

V=0.625"/15.9 mm
 $\alpha=90^\circ$
 14 Ga

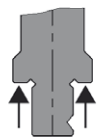


Type	Length	Weight		Max load
		kg	lbs	
OZU-942/7	20 inch	5.4	12.0	100 t/m 34 t/ft
OZU-942/8*	18.5 inch - sectioned	5.0	11.1	
OZU-942/9*	8 inch - sectioned	2.2	4.8	

Type	Length	Weight		Max load
		kg	lbs	
OZU-943/7	20 inch	5.4	11.9	100 t/m 34 t/ft
OZU-943/8*	18.5 inch - sectioned	5.0	11.0	
OZU-943/9*	8 inch - sectioned	2.2	4.7	

* Individual tool sections also available.

ADAPTION



**NS VI shoulder load
 with V-Lock®**

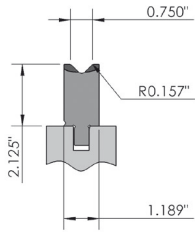
V-LOCK®



The V-Lock® improves the clamping and positioning of bottom tools. A groove in the tool tang allows specially designed clamping pins to automatically align and firmly clamp bottom tools in both X and Y directions.

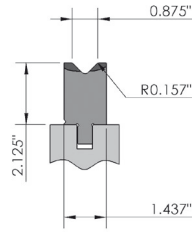
OZU-944

V=0.750"/19.1 mm
 α=90°
 13 Ga



OZU-945

V=0.875"/22.2 mm
 α=90°
 12 Ga



Type	Length	Weight		Max load
		kg	lbs	
OZU-944/7	20 inch	7.0	15.3	100 t/m 34 t/ft
OZU-944/8*	18.5 inch - sectioned	6.4	14.2	
OZU-944/9*	8 inch - sectioned	2.8	6.1	

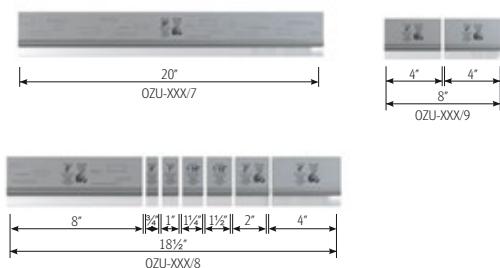
Type	Length	Weight		Max load
		kg	lbs	
OZU-945/7	20 inch	8.2	18.0	100 t/m 34 t/ft
OZU-945/8*	18.5 inch - sectioned	7.6	16.7	
OZU-945/9*	8 inch - sectioned	3.3	7.2	

TOOLING
AMERICAN VINTAGE

* Individual tool sections also available.

SEGMENTED TOOLING PROVIDES COMPLETE FLEXIBILITY

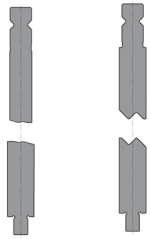
Create any desired tooling length from 0.75" to machine length in 0.25" increments by combining tool segments.



Examples of tool segments combined for various machine lengths			
18.5"	2 x 4"	20" solid	Total length
1		3	78.5"
1		4	98.5"
1	1	5	126.5"
1	1	6	146.5"
1	1	7	166.5"

CUSTOM MADE TOOLING

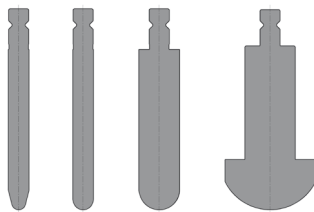
Aside from the standard tools and accessories, we can supply Custom Made tools which can be manufactured completely according to the customer's needs. These tools can be made in any of the tooling style executions and to the specific length required, as well as with different methods of hardening.



Offset Tooling

It is also possible to segment the tools into the lengths desired by the customer, to allow, for example, the bending of box-shaped products. For top tools it is possible to provide tooling sets including horn sections (sections with a cut-out to accommodate parts with a reverse flange).

A number of possibilities are on this page.



Radius Tooling



Horn



Box Bending



Heavy Duty



Radius Bending



Special Application

TOOLING

ADJUSTABLE BOTTOM TOOLS (MVM AND MULTI-V)

Custom Made Tooling also include bottom tools with an adjustable opening width. The opening width (V-opening) can be adjusted as necessary (Fig. 4.1). The primary advantage offered by these adjustable bottom tools is that the bottom tool does not need to be changed with the sheet thickness: the opening width can simply be adjusted as necessary. This results in substantial time savings especially when large dimensions are involved.

The WILA range of products includes two models of adjustable bottom tools:

- Automatically adjustable bottom tool, type MVM, designed for bending precision sheet material
- Manually adjustable bottom tool, type Multi-V, designed for bending plate material

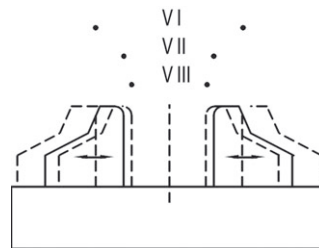
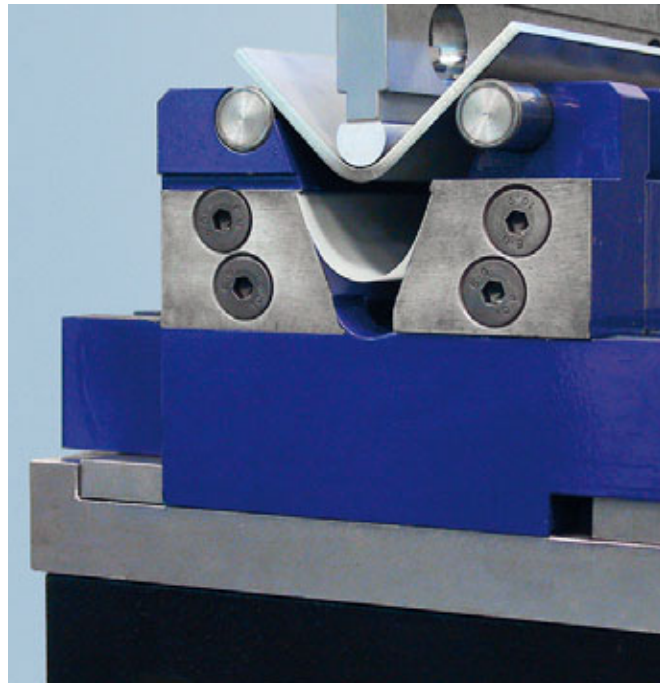


Fig. 4.1

Multi-V-MATIC (MVM).

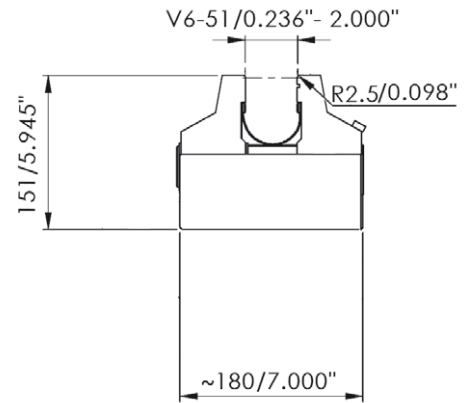


Multi-V.

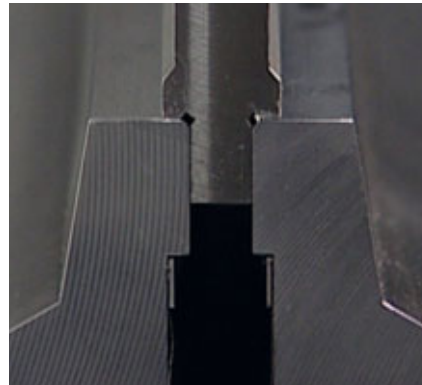


MVM TYPE I-1

The automatically adjustable bottom tool MVM Type I.1 offers a number of specific advantages. Thanks to the interval-free adjustment possibilities, the optimum V-opening can always be selected. Changing the V-opening is ultra-fast as there are no bottom tools to change out and no spacer bars are required. The V-opening can be changed using a CNC Drive Motor which can be tied into the press brake control allowing the V-opening to be programmed in automatically. Or the MVM can be supplied with a manual hand crank assembly and digital counter to select and display the desired V-opening. Thanks to the compact construction, the user has optimum bending freedom. Moreover, the construction is extremely stable because it was designed based on the vise principle. It is even possible to combine the system with a hemming tool (e.g. type BIU-051) to pre-bend and to flatten. At the same time, the MVM can be used as a tool holder for other bottom tools with a 13 mm/0.511" adaption, for example OZU bottom tools from the New Standard or American Style programs.



Pre-bend and flattening in the same tool.



Acts as a tool holder for OZU bottom tools.



MVM Type I-1.

TOOLING

CUSTOM STYLE

MVM I.1 CENTRALLY ADJUSTABLE BOTTOM TOOL		
V-opening continuously adjustable from 6-51 mm/0.236-2.0".		
Delivery	Standard	Optional
CNC drive unit	●	
Manual adjustment with digital read-out		○
No tool changes required	●	
Always the ideal V-opening	●	
Bending radii are CNC-Deephardened®	●	
Pre-bend and flattening in the same tool	●	
Will act as Tool Holder for OZU-tooling	●	
Practically Unlimited bend angles (e.g. 30° at S=6 mm/0.236")	●	

Length	Weight		Max load
	kg	lbs	
1785 mm/6 ft	179	394	100 t/m 34 t/ft α= 90°
2040 mm	204	450	
2380 mm/8 ft	238	525	
2550 mm	255	562	
3060 mm/10 ft	306	675	
3655 mm/12 ft	366	806	
4080 mm	408	900	
4250 mm/14 ft	425	937	
4845 mm	481	1060	
6120 mm	601	1325	

Note: Other lengths available on request.

MULTI-V

The fully modular adjustable bottom tool type Multi-V offers a number of advantages. The Multi-V main structure is simple; it consists of multiple elements of the same type which are built together into one tool. In case of damage it is simple and cost effective to replace one or more modules. It is possible to quickly change the desired V-openings by sliding in spacer bars on the front and rear side of the saddle and then lock the Multi-V section in place with two set screws. The spacer bars can be supplied by us or procured locally by the customer. This gives you the possibility to choose the V-opening that best fits the characteristics of the material to be processed; this is particularly useful when bending high tensile strength materials which have a great amount of spring back. The Multi-V is equipped with low friction, hardened roller bars which reduce marking on the outside of the part and also reduces the required bending force by 10% to 30% versus conventional bottom tools.

The Multi-V is manufactured in lengths ranging from 500 mm/19.7" to 1050 mm/41.3" and the Multi-V lengths can be combined to make any required length.

There are 4 standard Multi-V models available: Models B, D, E, and F ranging from a minimum opening of 24 mm/0.95" to a maximum opening of 400 mm/15.75". See fig. 4.2 and the table. The Bottom Tool Holder (saddle) for the Multi-V is 40 mm/1.575" thick as standard configuration and can be supplied as a flat bottom, with a tang or as a bolt-down.

Semi-automatic Multi-V versions are also available for the larger models E and F, whereby a chain drive mechanism is built into the bottom holders to open and close the Multi-V jaws via an electric drill, rather than manually.

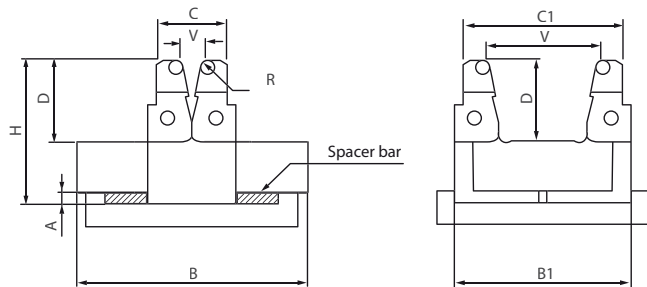


Fig. 4.2

MULTI-V										
Model	V-opening	Max load at 90°	A	B	B1	C	C1	D	H	R
B	24-124 mm	125 t/m	15	254	197	77	177	90	160	8
	0.95-4.88"	42 t/ft	0.591"	10"	7.756'	3.031'	6.968'	3.543'	6.299'	0.315"
D	65-180 mm	200 t/m	15	324	277	160	277	90	160	125
	2.56-7.09"	67 t/ft	0.591"	12.756'	10.905'	6.299'	10.906'	3.543'	6.299'	0.492"
E	120-300 mm	400 t/m	20	510	447	267	447	130	250	20
	4.72-11.81"	133 t/ft	0.787"	20.079'	17.598'	10.511'	17.598'	5.118"	9.842"	0.787"
F	150-400 mm	600 t/m	25	680	585	335	585	190	350	25
	5.90-15.75"	200 t/ft	0.984"	26.771'	23.031'	13.188'	23.031'	7.480"	13.780"	0.984"



TOOLING FLATTENING TOOLS (DD)

Flattening tools (often called Hemming or Dutch bending tools) are used to pre-bend the sheet and then press it closed (Fig. 4.3). This technique is used, for example, to finish the sharp edges of the ends of a sheet or to reinforce the sheet and thus strengthen the bent product.

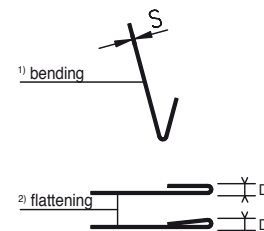


Fig. 4.3

Depending on the available tonnage and the sheet to be bent (material type and thickness), the sheet can be pressed closed to a greater or lesser extent. The force table on page 141 lists the tonnages required for closing the sheet for mild steel 42 kN/cm² and for stainless steel 70 kN/cm². The values as indicated may deviate slightly in actual practice.

A variety of tools in the WILA program can be used to perform this bending operation. If hemming is done only occasionally, a two step operation is often used with the first operation bending to 30° using standard 30° top and bottom tools. The second operation uses top and bottom flattening tools to close the hem (Fig. 4.4). When flattening the sheet, we advise that these tools be used on sheets that are no more than 2 mm/0.079”.

Using the New Standard top tool type BIU-051, for example, combined with bottom tool type OZU-083, a flattening combination can be created that can be used for both pre-bending and flattening (Fig. 4.5). An advantage is that this tool can also be used for universal bending. Because the design configuration is centric, no sliding mechanism is required. We advise a maximum sheet thickness of 1.5 mm/0.059” with this tool combination.

The spring-action flattening tool, consisting of a holder with a spring-action flattening part, is another option (Fig. 4.6). When combined with a 28° top tool, the sheet can be pre-bent and then hemmed. Because the V opening can be adjusted to suit the sheet thickness, short flange lengths can be bent. This combination however cannot be used for universal bending. The range of products includes a number of standard designs, type DDU (page 110), with different V-openings.

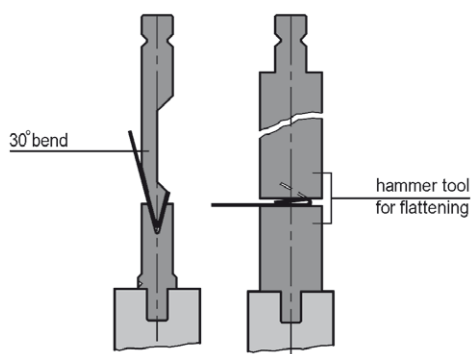


Fig. 4.4

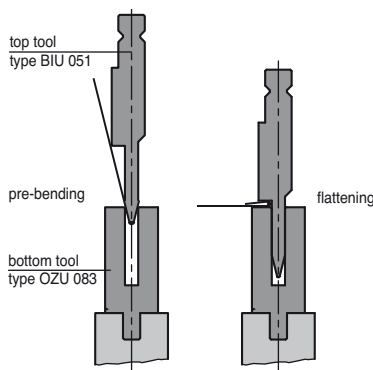


Fig. 4.5

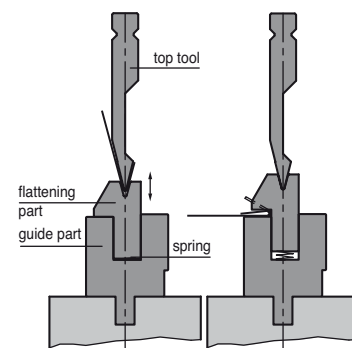


Fig. 4.6

As a modern version of the spring-action bending tool, WILA offers the hydraulic Dutch bending tool (Fig. 4.7). The pressing part is powered by hydraulic cylinders incorporated in the tool. When the tool is inactive, it is in a closed position, and simultaneously serves as a tool holder. Interchangeable bottom tools can be placed in the top of the flattening part, making it possible to adjust the size of the V-opening as desired. WILA offers a modified Hydraulic Power Pack (90 Bar max. pressure) for this purpose. Information available on request.

The spring-action and hydraulic flattening tools can be mounted on the machine in a number of ways:

- separately on the press brake's table.
- in the clamping slot in the table or lower beam using a tang on the bottom (Fig. 4.8).
- directly bolted on to the lower beam (Fig. 4.9), only hydraulic.

The hole pattern is available upon request. Here too, the hole pattern can be modified to suit the customer's needs. Both models can be standardly equipped with additional M16 holes 200 mm/8" center to center, so that support arms and such can be attached.

The bottom tools used with the hydraulic flattening tool can be clamped in the tool in one of two ways:

- mechanically, using standard clamping bolts. These bolts are located in the middle of 1000 mm/40" at 25 mm/1" intervals, and in intervals of 100 mm/4" towards each end.
- hydraulically, using built in Clamping-Pins.

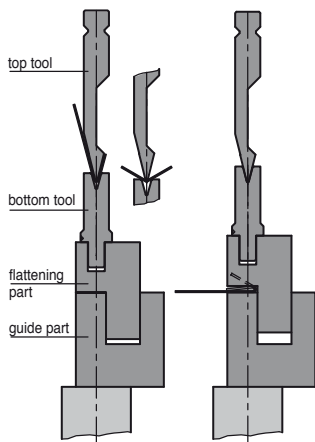


Fig. 4.7

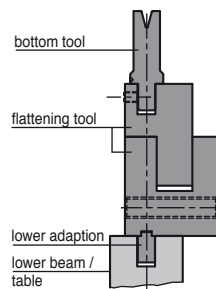


Fig. 4.8

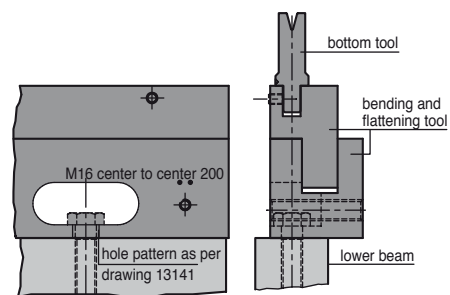
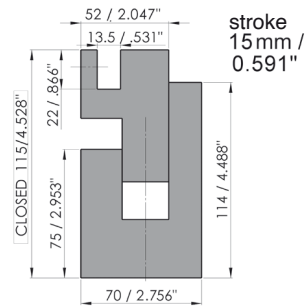


Fig. 4.9

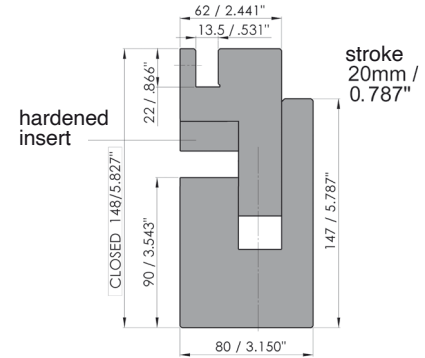
DD-005 BENDING AND FLATTENING TOOL



Delivery	Standard	Optional
Manual Clamping	●	
Hydraulic lifting	●	
Hydraulic Power Pack		○
Mounting via bottom tang		○
Mounting via bolts directly to lower beam		○
<i>Usable for:</i>		
New Standard bottom tools	●	
American Style bottom tools	●	
Mild steel 0.5-2.0 mm	●	
Aluminum 0.5-2.5 mm	●	

Max. load 100 t/m - 34 t/ft | Weight 62 kg/m - 41.7 lbs/ft

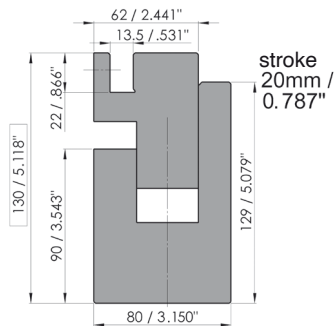
DD-005 HI BENDING AND FLATTENING TOOL



Delivery	Standard	Optional
Manual Clamping	●	
Hydraulic lifting	●	
Hydraulic Power Pack		○
Mounting via bottom tang		○
Mounting via bolts directly to lower beam		○
Hardened flattening inserts	●	
<i>Usable for:</i>		
New Standard bottom tools	●	
American Style bottom tools	●	
Mild steel 0.5-3.0 mm	●	
Aluminum 0.5-2.5 mm	●	
Stainless St. 0.5-2.0 mm	●	

Max. load 100 t/m - 34 t/ft | Weight 92 kg/m - 61.8 lbs/ft

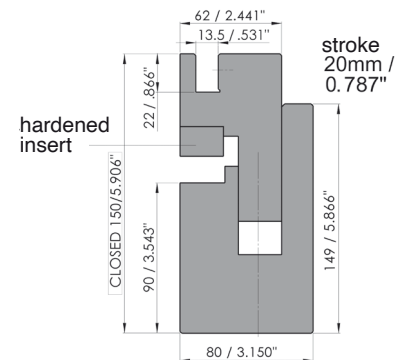
DD-009 BENDING AND FLATTENING TOOL



Delivery	Standard	Optional
Hydraulic Clamping	●	
Hydraulic lifting	●	
Hydraulic Power Pack		○
Mounting via bottom tang		○
Mounting via bolts directly to lower beam		○
<i>Usable for:</i>		
New Standard bottom tools	●	
American Style bottom tools	●	
Mild steel 0.5-3.0 mm	●	
Aluminum 0.5-3.0 mm	●	

Max. load 100 t/m - 34 t/ft | Weight 81 kg/m - 54.4 lbs/ft

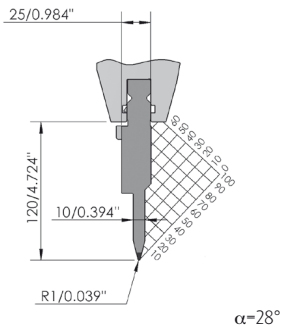
DD-009 HI BENDING AND FLATTENING TOOL



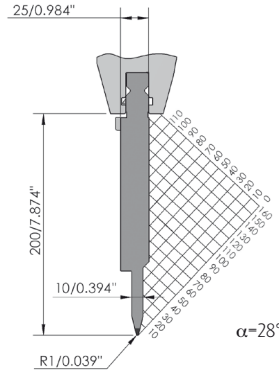
Delivery	Standard	Optional
Hydraulic Clamping	●	
Hydraulic lifting	●	
Hydraulic Power Pack		○
Mounting via bottom tang		○
Mounting via bolts directly to lower beam		○
Hardened Flattening Insert	●	
<i>Usable for:</i>		
New Standard bottom tools	●	
American Style bottom tools	●	
Mild steel 0.5-3.0 mm	●	
Aluminum 0.5-3.0 mm	●	
Stainless St. 0.5-2.0 mm	●	

Max. load 100 t/m - 34 t/ft | Weight 94 kg/m - 63.2 lbs/ft

BIU-051



BIU-053

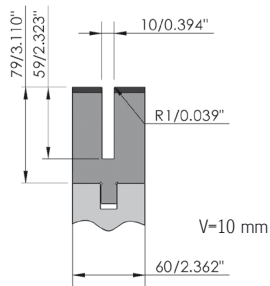


Type	Length	Weight		Max load
		kg	lbs	
BIU-051/1	515 mm	11.3	25.0	100 t/m 34 t/ft
BIU-051/2*	550 mm - sectioned	12.1	26.7	
BIU-051/3*	200 mm - sectioned	4.4	9.7	
BIU-051/6	200 mm	4.4	9.7	
BIU-051/11	200 mm - sectioned, horns	3.4	7.5	
BIU-051/12	255 mm	5.4	11.9	

Type	Length	Weight		Max load
		kg	lbs	
BIU-053/1**	515 mm	19.5	43.0	100 t/m 34 t/ft
BIU-E2M-053/1	515 mm	19.5	43.0	
BIU-053/2*	550 mm - sectioned	20.8	45.9	
BIU-053/3*	200 mm - sectioned	7.6	16.7	
BIU-053/6	200 mm	7.6	16.7	
BIU-053/11	200 mm - sectioned, horns	5.8	12.8	
BIU-053/12	255 mm	9.5	20.9	

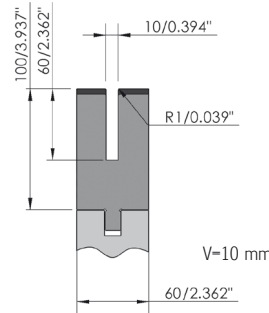
OZU-083

V=10 mm/0.394"
16 Ga



OZU-381

V=10 mm/0.394"
16 Ga

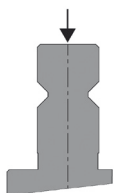


Type	Length	Weight		Max load
		kg	lbs	
OZU-083/1	515 mm	18.0	39.7	100 t/m 34 t/ft
OZU-083/6	200 mm	7.0	15.4	
OZU-083/12	255 mm	9.2	20.3	

Type	Length	Weight		Max load
		kg	lbs	
OZU-381/1	515 mm	23.0	50.6	100 t/m 34 t/ft
OZU-381/6	200 mm	8.9	19.6	
OZU-381/12	255 mm	11.1	24.5	

* Individual tool sections also available. ** Provided with fixed Safety-Pins (see page 42).

ADAPTION



NS I head load



**NS VI shoulder load
with V-Lock®**

KEMES ANGLE METER

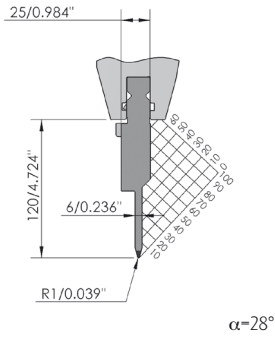


The KeMes Angle Meter is the fast, easy solution for precise angle measurement. It can be operated by hand for quick results or mounted to the tooling for instant, hands-free angle measurement.

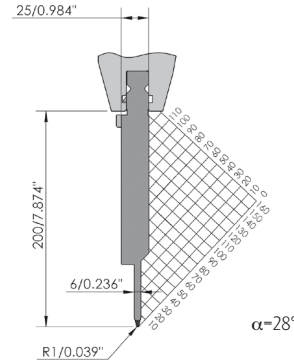
TOOLING

NEW STANDARD PREMIUM

BIU-061



BIU-063

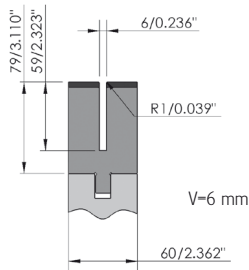


Type	Length	Weight		Max load
		kg	lbs	
BIU-061/1	515 mm	10.4	22.8	50 t/m 17 t/ft
BIU-061/2*	550 mm - sectioned	11.1	24.4	
BIU-061/3*	200 mm - sectioned	4.0	8.9	
BIU-061/6	200 mm	4.0	8.9	
BIU-061/11	200 mm - sectioned, horns	3.2	7.1	
BIU-061/12	255 mm	5.0	11.0	

Type	Length	Weight		Max load
		kg	lbs	
BIU-063/1**	515 mm	19.5	43.0	50 t/m 17 t/ft
BIU-E2M-063/1	515 mm	19.5	43.0	
BIU-063/2*	550 mm - sectioned	20.8	45.9	
BIU-063/3*	200 mm - sectioned	7.6	16.7	
BIU-063/6	200 mm	7.6	16.7	
BIU-063/11	200 mm - sectioned, horns	5.6	12.3	
BIU-063/12	255 mm	9.1	20.1	

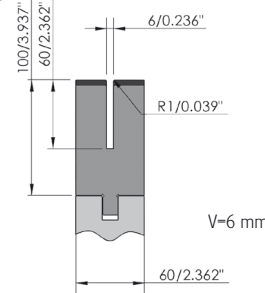
OZU-082

V=6 mm/0.236"
22 Ga



OZU-382

V=6 mm/0.236"
22 Ga

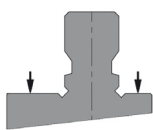


Type	Length	Weight		Max load
		kg	lbs	
OZU-082/1	515 mm	18.5	40.8	100 t/m 34 t/ft
OZU-082/6	200 mm	7.2	15.9	
OZU-082/12	255 mm	9.2	20.3	

Type	Length	Weight		Max load
		kg	lbs	
OZU-382/1	515 mm	23.2	51.2	100 t/m 34 t/ft
OZU-382/6	200 mm	9.0	19.9	
OZU-382/12	255 mm	11.1	24.5	

* Individual tool sections also available. ** Provided with fixed Safety-Pins (see page 42).

ADAPTION



AS I shoulder load



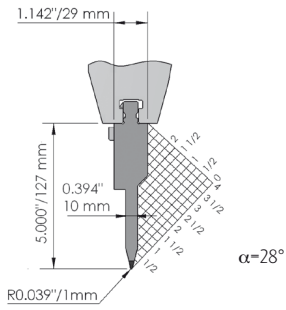
NS VI shoulder load
with V-Lock®

TOOL ADVISOR

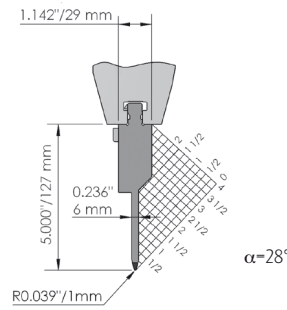


This high-end engineering tool allows you to make a decision online about which press brake tools are best suited to your specific bending needs. If the required tool is unavailable as a standard solution, it is possible to immediately design a special tool and order it via the WILA Webshop.

BIU-809



BIU-810

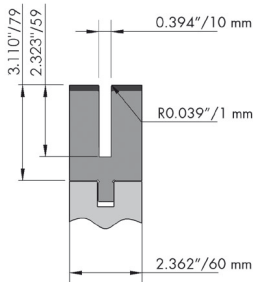


Type	Length	Weight		Max load
		kg	lbs	
BIU-809/1	515 mm	11.0	24.3	100 t/m 34 t/ft
BIU-809/2*	550 mm - sectioned	11.8	25.9	
BIU-809/3*	200 mm - sectioned	4.3	9.4	
BIU-809/6	200 mm	4.3	9.4	
BIU-809/11	200 mm - sectioned, horns	3.2	7.1	

Type	Length	Weight		Max load
		kg	lbs	
BIU-810/1	515 mm	10.1	22.2	50 t/m 17 t/ft
BIU-810/2*	550 mm - sectioned	10.8	23.7	
BIU-810/3*	200 mm - sectioned	3.9	8.6	
BIU-810/6	200 mm	3.9	8.6	
BIU-810/11	200 mm - sectioned, horns	3.0	6.6	

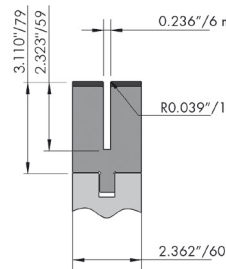
OZU-815

V=10 mm/0.394"
16 Ga



OZU-816

V=6 mm/0.236"
22 Ga



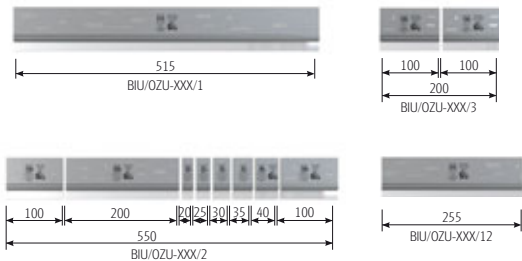
Type	Length	Weight		Max load	
		kg	lbs	Bending	Flattening
OZU-815/1	515 mm	18.0	39.7	50 t/m 17 t/ft $\alpha=90^\circ$	100 t/m 34 t/ft
OZU-815/6	200 mm	7.0	15.4		

Type	Length	Weight		Max load	
		kg	lbs	Bending	Flattening
OZU-816/1	515 mm	18.3	40.3	50 t/m 17 t/ft $\alpha=90^\circ$	100 t/m 34 t/ft
OZU-816/6	200 mm	7.1	15.6		

* Individual tool sections also available.

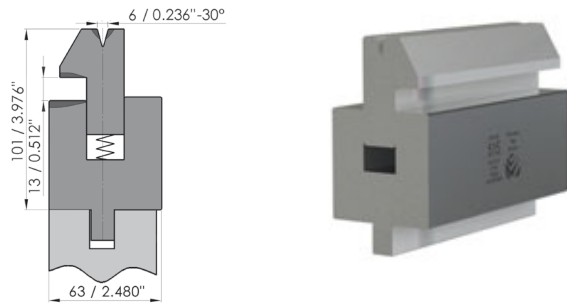
SEGMENTED TOOLING PROVIDES COMPLETE FLEXIBILITY

Create any desired tooling length from 20 mm/0.787" to machine length in 5 mm/0.197" increments by combining tool segments.

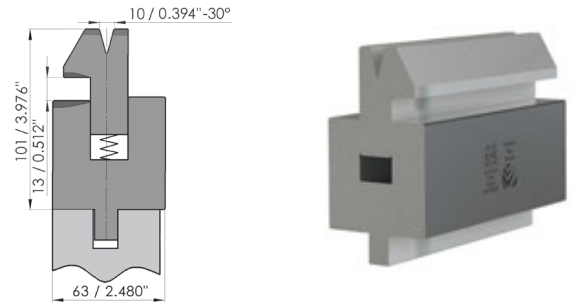


Examples of tool segments combined for various machine lengths			
550 mm/ 21.654" segmented set	255 mm 10.039"	515 mm 20.276"	Total length
1	1	1	1320 mm/52"
1	1	2	1835 mm/72.2"
1	2	3	2605 mm/102.6"
1		5	3125 mm/123"
1		6	3640 mm/143.3"
1	1	7	4410 mm/173.6"

DDU-001



DDU-002



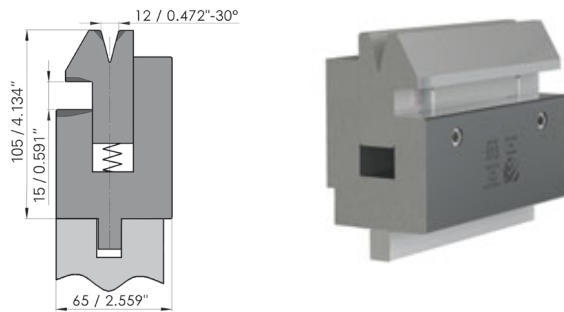
Type	Length	Weight		Max load	
		kg	lbs	Bending	Flattening
DDU-001/1	515 mm	20.0	44.0	60 t/m 20 t/ft	100 t/m 34 t/ft

Bending and flattening tool, provided with V=6 mm/0.236" - 30°. Max. sheet thickness 1 mm/0.039". Flattening part operated by spring action, stroke 13 mm/0.512". Closed working height 88 mm/3.465".

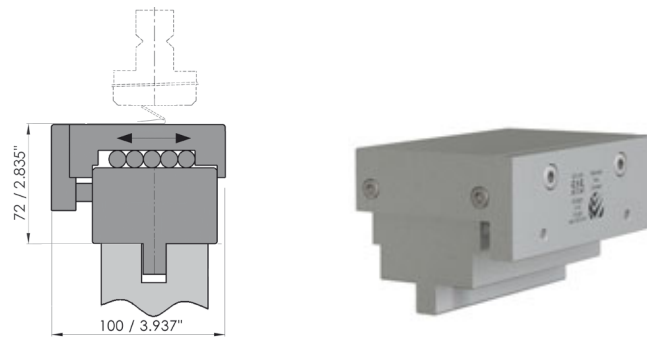
Type	Length	Weight		Max load	
		kg	lbs	Bending	Flattening
DDU-002/1	515 mm	19.7	43.4	70 t/m 24 t/ft	100 t/m 34 t/ft

Bending and flattening tool, provided with V=10 mm/0.394" - 30°. Max. sheet thickness 1.5 mm/0.059". Flattening part operated by spring action, stroke 13 mm/0.512". Closed working height 88 mm/3.465".

DDU-004



DDU-003



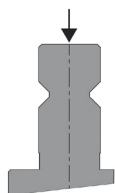
Type	Length	Weight		Max load	
		kg	lbs	Bending	Flattening
DDU-004/1	515 mm	22.3	49.2	70 t/m 24 t/ft	100 t/m 34 t/ft

Bending and flattening tool, provided with V=12 mm/0.472" - 30°. Max. sheet thickness 2 mm/0.079". Flattening part operated by spring action, stroke 15 mm/0.591". Closed working height 90 mm/3.543".

Type	Length	Weight		Max load
		kg	lbs	
DDU-003/1	515 mm	23.7	52.2	100 t/m 34 t/ft

Moving flattening bottom tool with rollers for material S=2-4 mm/0.079-0.157". Suitable for use in combination with flattening top tool. Working height 72 mm/2.835".

ADAPTION



NS I head load



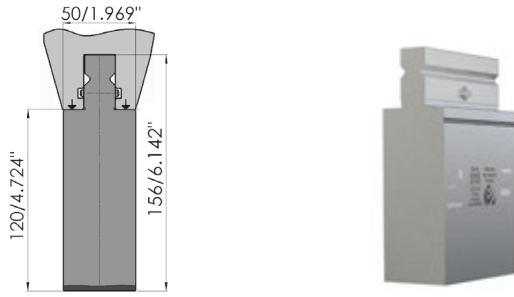
NS VI shoulder load with V-Lock®

WEBSHOP

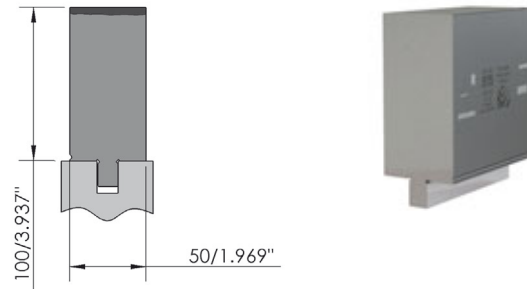


The WILA Webshop features a comprehensive overview of WILA's top and bottom tools. The Webshop can be used to directly request quotes, check prices, find delivery times and place orders. Create your account via: webshop.wilausa.com

BIU-041



OZU-384



Type	Length	Weight		Max load
		kg	lbs	
BIU-041/1**	515 mm	27.7	61.1	100 t/m
BIU-E2M-041/1	515 mm	27.7	61.1	34 t/ft

Flattening tool to be used in combination with bottom tools DDU-003 and OZU-384. Max. sheet thickness 2 mm/0.079".

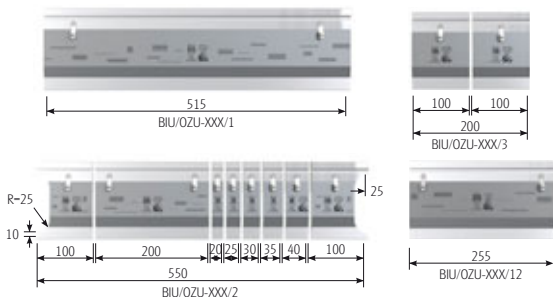
Type	Length	Weight		Max load
		kg	lbs	
OZU-384/1	515 mm	21.5	47.4	100 t/m
OZU-E2M-384/1	515 mm	21.5	47.4	34 t/ft

Flattening tool to be used in combination with top tool BIU-041. Max. sheet thickness 2 mm/0.079".

* Individual tool sections also available. ** Provided with fixed Safety-Pins (see page 42).

SEGMENTED TOOLING PROVIDES COMPLETE FLEXIBILITY

Create any desired tooling length from 20 mm/0.787" to machine length in 5 mm/0.197" increments by combining tool segments.



Examples of tool segments combined for various machine lengths			
550 mm/ 21.654" segmented set	255 mm 10.039"	515 mm 20.276"	Total length
1	1	1	1320 mm/52"
1	1	2	1835 mm/72.2"
1	2	3	2605 mm/102.6"
1		5	3125 mm/123"
1		6	3640 mm/143.3"
1	1	7	4410 mm/173.6"

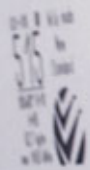
TOOL EXTENDERS/TOOLING

To complement its Clamping, Crowning, and Tooling lines, WILA offers an extensive extender program to provide additional versatility to the sheet metal fabricator. Be it Holders (HU) for radius, offset or non marking inserts or adapters (TSU) to be able to go between different tooling styles, or extenders for deep box bending, or bottom tool risers, WILA has the solution for you.

Also find additional information on the fact sheet on page 41.



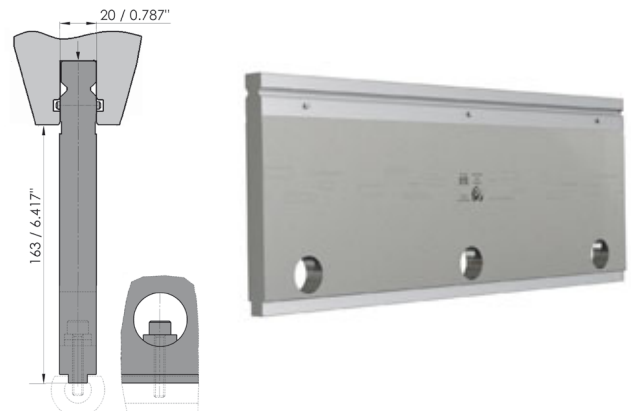
515



HU-004



HU-024



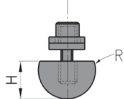
Type	Length	Weight		Max load
		kg	lbs	
HU-004/1	515 mm	9.8	21.6	160 t/m 54 t/ft
HU-E2M-004/1	515 mm	9.8	21.6	

Holder suitable for various radius and flattening tools. Top provided with New Standard adaption, with Safety-Pins. Working height dependent on the radius tools to be used.

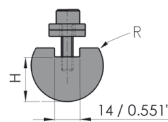
Type	Length	Weight		Max load
		kg	lbs	
HU-024/1	515 mm	15.1	33.4	160 t/m 54 t/ft
HU-E2M-024/1	515 mm	15.1	33.4	

Holder suitable for various radius and flattening tools. Top provided with New Standard adaption, with Safety-Pins. Working height dependent on the radius tools to be used.

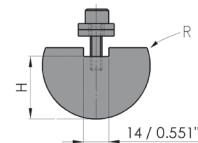
RU-001



RU-002



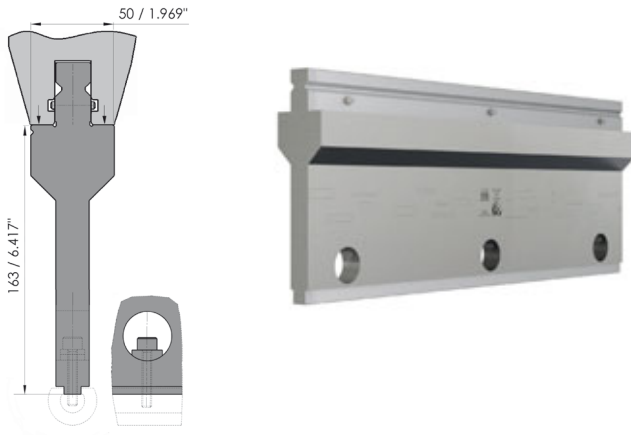
RU-003



Type	Length mm	R		H		Weight		Max load
		mm	inch	mm	inch	kg	lbs	
RU-001/R7/1	515	7	0.276	11.5	0.453	0.6	1.2	100 t/m 34 t/ft
RU-001/R7.5/1	515	7.5	0.295	11.5	0.453	0.6	1.4	
RU-001/R8/1	515	8	0.315	13	0.512	0.7	1.6	
RU-001/R9/1	515	9	0.354	16	0.630	1.0	2.2	
RU-001/R10/1	515	10	0.394	16	0.630	1.2	2.7	
RU-002/R12.5/1	515	12.5	0.492	16	0.630	1.6	3.5	100 t/m 34 t/ft
RU-002/R15/1	515	15	0.591	20	0.787	2.4	5.2	
RU-002/R17.5/1	515	17.5	0.689	22	0.866	3.2	7.0	
RU-002/R20/1	515	20	0.787	24	0.945	4.2	9.2	
RU-003/R25/1	515	25	0.984	29	1.142	6.1	13.5	100 t/m 34 t/ft
RU-003/R30/1	515	30	1.181	34	1.339	8.3	18.4	
RU-003/R40/1	515	40	1.575	45	1.772	12.9	28.5	
RU-003/R50/1	515	50	1.969	54	2.126	21.3	46.8	

Radius tools Non-hardened.
Radius 7-50 mm/0.276-1.969" to be used in combination with holder type HU-004-024, 124, 804 and 814.

HU-124



Type	Length	Weight		Max load
		kg	lbs	
HU-124/1	515 mm	20.6	45.6	250 t/m 84 t/ft
HU-E2M-124/1	515 mm	20.6	45.6	

Holder suitable for various radius and flattening tools. Top provided with New Standard adaption, with Safety-Pins. Working height dependent on the radius tools to be used.

RU-004



Type	Length	Weight		Max load
		kg	lbs	
RU-004/1	515 mm	2.4	5.3	100 t/m 34 t/ft

Flattening tool to be used in combination with holder types HU-004-024-124, 804 and 814. Max. sheet thickness 2 mm/0.079". Non-hardened.

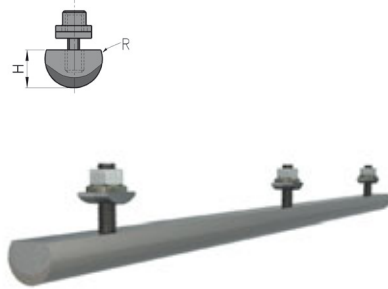
RU-104



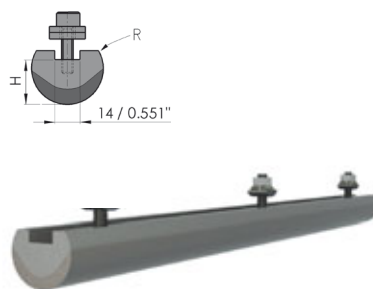
Type	Length	Weight		Max load
		kg	lbs	
RU-104/1	515 mm	2.4	5.3	100 t/m 34 t/ft

Flattening tool to be used in combination with holder types HU-004-024-124, 804 and 814. Max. sheet thickness 2 mm/0.079". CNC-Deephardened®.

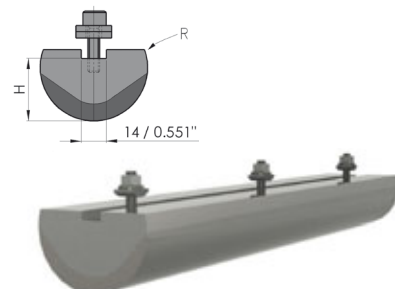
RU-101



RU-102



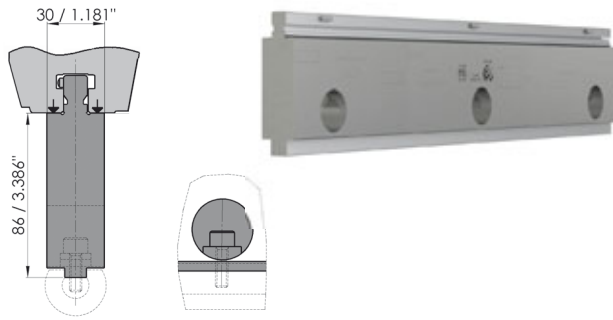
RU-103



Type	Length mm	R		H		Weight		Max load
		mm	inch	mm	inch	kg	lbs	
RU-101/R7/1	515	7	0.276	11.5	0.453	0.6	1.2	175 t/m 59 t/ft
RU-101/R7.5/1	515	7.5	0.295	11.5	0.453	0.6	1.4	
RU-101/R8/1	515	8	0.315	13	0.512	0.7	1.6	
RU-101/R9/1	515	9	0.354	16	0.630	1.0	2.2	
RU-101/R10/1	515	10	0.394	16	0.630	1.2	2.7	
RU-102/R12.5/1	515	12.5	0.492	16	0.630	1.6	3.5	225 t/m 76 t/ft
RU-102/R15/1	515	15	0.591	20	0.787	2.4	5.2	
RU-102/R17.5/1	515	17.5	0.689	22	0.866	3.2	7.0	
RU-102/R20/1	515	20	0.787	24	0.945	4.2	9.2	
RU-103/R25/1	515	25	0.984	29	1.142	6.1	13.5	250 t/m 84 t/ft
RU-103/R30/1	515	30	1.181	34	1.339	8.3	18.4	
RU-103/R40/1	515	40	1.575	45	1.772	12.9	28.5	
RU-103/R50/1	515	50	1.969	54	2.126	21.3	46.8	

Radius tools CNC-Deephardened®.
Radius 7-50 mm/0.276-1.969" to be used in combination with holder type HU-004-024, 124, 804 and 814.

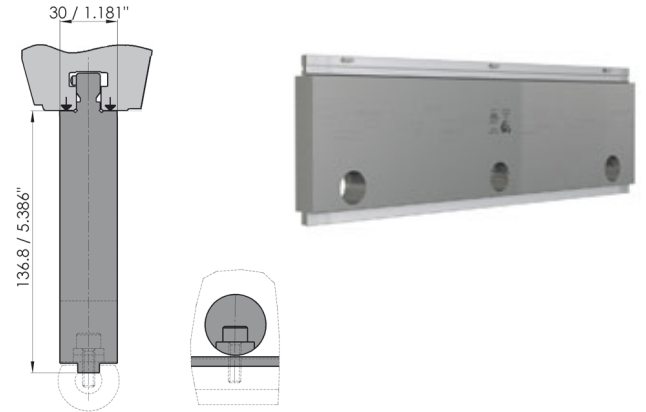
HU-804



Type	Length	Weight		Max load
		kg	lbs	
HU-804/1	515 mm	11.8	26.0	160 t/m 54 t/ft

Holder suitable for various radius and flattening tools. Top provided with American Style II adaption, with Safety-Pins. Working height dependent on the radius tools to be used. For RU Radius inserts to be used with HU-804 and HU-814 see page 114 and 115.

HU-814



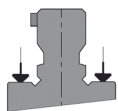
Type	Length	Weight		Max load
		kg	lbs	
HU-814/1	515 mm	18.0	39.7	160 t/m 54 t/ft

Holder suitable for various radius and flattening tools. Top provided with American Style II adaption, with Safety-Pins. Working height dependent on the radius tools to be used. For RU Radius inserts to be used with HU-804 and HU-814 see page 114 and 115.

TOOL EXTENDERS
TOOLING

AMERICAN STYLE

ADAPTION



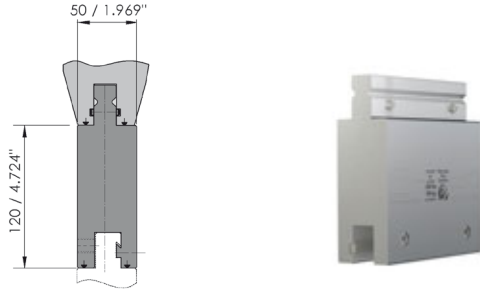
AS II shoulder load

RADIUS TOOL HOLDER AND TOOLS

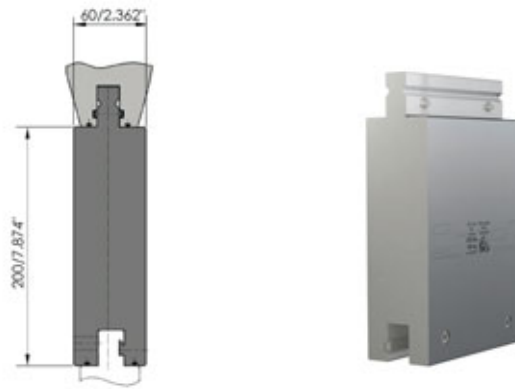


Radius Tool Holders (HU) and tools (RU) for a large range of common radii from 7 mm/0.276" to 50 mm/1.969" in both CNC-Deephardened® and non-hardened versions.

HU-034



HU-134



Type	Length	Weight		Max load
		kg	lbs	
HU-034/1	515 mm	25.2	55.6	300 t/m
HU-E2M-034/1	515 mm	25.2	55.6	102 t/ft

Holder for radius inserts RU-105 and RU-106 and RU with HU-107 adaption.
Top with New Standard adaption with Safety-Pins or with E2M® adaption.

Type	Length	Weight		Max load
		kg	lbs	
HU-134/1	515 mm	49.7	109.6	500 t/m
HU-E2M-134/1	515 mm	49.7	109.6	170 t/ft

Holder for radius inserts RU-105 and RU-106 and RU with HU-107 adaption.
Top with New Standard adaption with Safety-Pins or with E2M® adaption.

RU-105



$\alpha=60^\circ$

RU-106



$\alpha=60^\circ$

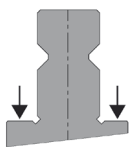
Type	Length	Weight		Max load
		kg	lbs	
RU-105/1	515 mm	9.2	20.3	160 t/m
				54 t/ft

Slide-on radius insert. To be used in combination with holder HU-034 or HU-134.

Type	Length	Weight		Max load
		kg	lbs	
RU-106/1	515 mm	10.2	22.5	255 t/m
				87 t/ft

Slide-on radius insert. To be used in combination with holder HU-034 or HU-134.

ADAPTION



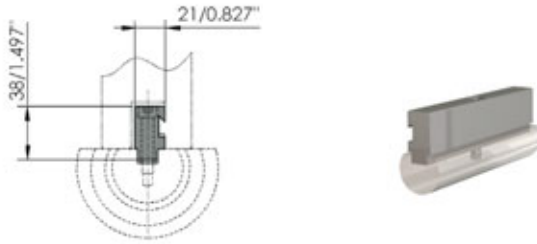
NS II shoulder load

E2M® SAFETY ROLLER BEARING



New Standard E2M® top and bottom tools are equipped with special (pre-assembled) bearings, which allow you to move the tools laterally in a non-clamped state quickly and safely.

HU-107



Type	Length	Weight		Max load
		kg	lbs	
HU-107/1	515 mm	3.0	6.6	-

Adaption suitable for radius inserts RU-007 and RU-107 to use as slide-on radius in combination with HU-034 or HU-134.

RU-007



Type	Length mm	R mm	H mm	Weight		Max load t/m
				kg	lbs	
RU-007/R=25/1	515	25	39	6.1	13.4	200 t/m 68 t/ft
RU-007/R=30/1	515	30	44	8.3	18.3	
RU-007/R=40/1	515	40	54	12.7	27.9	
RU-007/R=50/1	515	50	64	21.3	46.9	

Radius inserts, not hardened. Radius 25-50 mm/0.984-1.969" to be used in combination with adaption type HU-107/1.

RU-107



Type	Length mm	R mm	H mm	Weight		Max load t/m
				kg	lbs	
RU-107/R=25/1	515	25	39	6.1	13.4	500 t/m 168 t/ft
RU-107/R=30/1	515	30	44	8.3	18.3	
RU-107/R=40/1	515	40	54	12.7	27.9	
RU-107/R=50/1	515	50	64	21.3	46.9	

Radius inserts, CNC-Deepph hardened® Radius 25-50 mm/0.984-1.969" to be used in combination with adaption type HU-107/1.

TOOL EXTENDERS TOOLING NEW STANDARD PRO

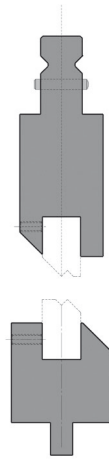
PRESS BRAKE PRODUCTIVITY WAX



Press Brake Productivity Wax is a spray that has been specially developed for cleaning, maintaining and protecting WILA tools.

TOOL HOLDERS

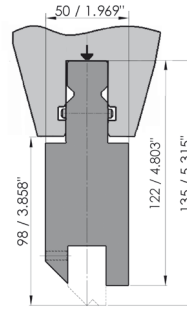
HU-001



Holders suitable for use with various inserts for offset Z bends and for flattening, advantages:

- easy to use
- no more time-consuming tool alignment
- one Tool Holder can be used for multiple size inserts and applications

HU-001 Top Holder can be used in combination with either HU-005 or HU-006 Bottom Holder.

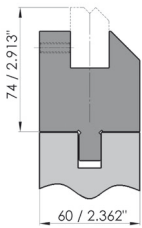


Type	Length	Weight		Max load
		kg	lbs	
HU-001/1	515 mm	17.5	38.6	100 t/m 34 t/ft

Top Holder, top provided with New Standard adaption and Safety-Pins.
Bottom suitable for inserts type INZU. Working height 98 mm/3.858" incl. inserts.

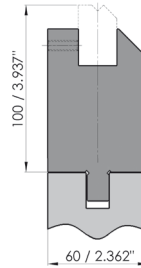
HU-005

HU-006



Type	Length	Weight		Max load
		kg	lbs	
HU-005/1	515 mm	13.4	29.5	100 t/m 34 t/ft

Bottom Holder, bottom provided with the OZU adaption, 13x20 mm (WxH).
Top suitable for inserts type INZU. Working height 74 mm/2.913" incl. inserts.

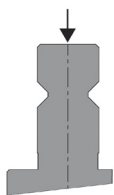


Type	Length	Weight		Max load
		kg	lbs	
HU-006/1	515 mm	19.3	42.5	100 t/m 34 t/ft

Bottom Holder, bottom provided with the OZU adaption, 13x20 mm (WxH).
Top suitable for inserts type INZU. Working height 100 mm/3.937" incl. inserts.

ADAPTION

INSERT FOR OFFSET BENDING



NS I head load



**NS VI shoulder load
with V-Lock®**

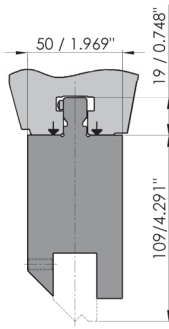


In addition to the range of top and bottom tools, WILA also offers a wide range of accessories. These include special inserts for making offset (Z bends, INZU-001 and INZU-002) or to flatten material (INZU-003). The INZU program also includes special plastic inserts for mark-free bending of sensitive materials (INZU-005 to INZU-007). These inserts can be used with holders type HU.

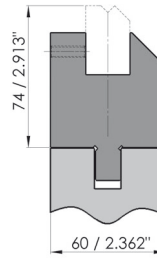
TOOL EXTENDERS
TOOLING

NEW STANDARD[®] PRO

HU-801



HU-805



Type	Length	Weight		Max load
		kg	lbs	
HU-801/1	515 mm	17.9	39.4	100 t/m 34 t/ft

Top Holder, top provided with American Style II adaption and Safety-Pins.
Bottom suitable for inserts type INZU. Working height 109 mm/4.291" incl. inserts.

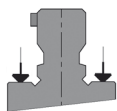
Type	Length	Weight		Max load
		kg	lbs	
HU-805/1	515 mm	14.9	32.8	100 t/m 34 t/ft

Bottom Holder, bottom provided with the OZU adaption, 13x20 mm/0.512x0.787" (WxH).
Top suitable for inserts type INZU. Working height 74 mm/2.362" incl. inserts.

TOOL EXTENDERS
TOOLING

AMERICAN STYLE

ADAPTION

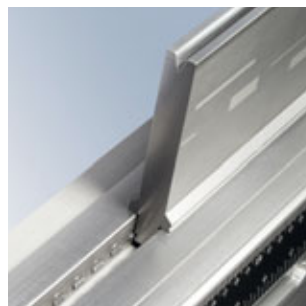


AS II shoulder load



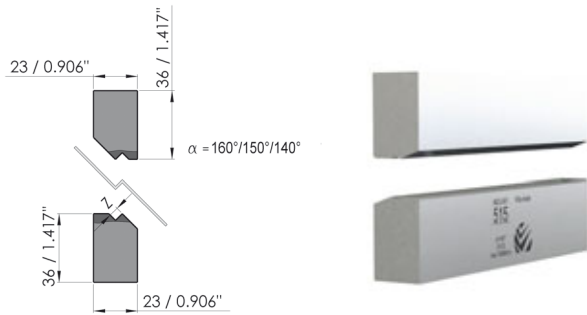
**NS VI shoulder load
with V-Lock®**

V-LOCK®



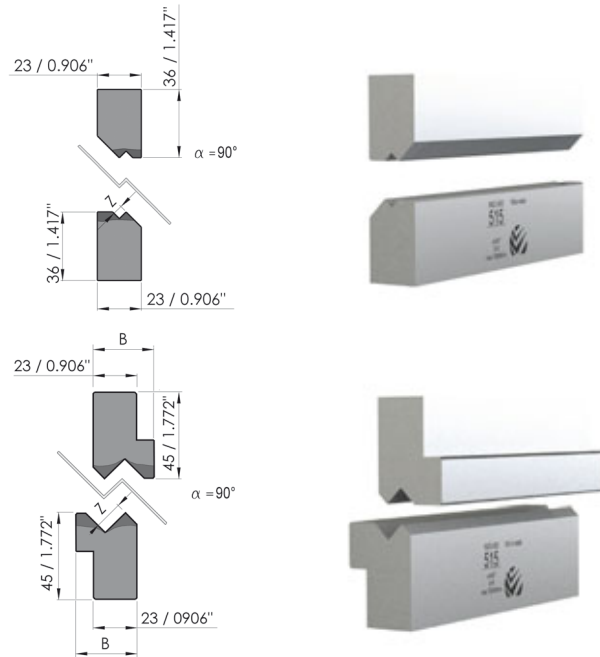
The V-Lock® improves the clamping and positioning of bottom tools. A groove in the tool tang allows specially designed clamping pins to automatically align and firmly clamp bottom tools in both X and Y directions.

INZU-001

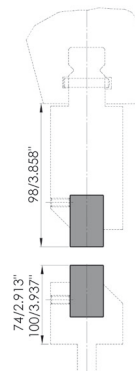


Z = 1 and 1.5	160°
Z = 2	150°
Z = 3	140°

INZU-002



INZU-003



Type	Length mm	B		Z		Weight		Max load	
		mm	inch	mm	inch	kg	lbs		
INZU-001/Z1/1	515			1.0	0.039	6.7	14.9	100 t/m 34 t/ft	Set of inserts, top and bottom, for making offsets. Suitable for use in combination with holders HU-001, 005, 006, 801 and 805.
INZU-001/Z1.5/1	515			1.5	0.059	6.7	14.7		
INZU-001/Z2/1	515			2.0	0.079	6.6	14.6		
INZU-001/Z2.5/1	515			2.5	0.098	6.6	14.5		
INZU-002/Z3/1	515			3.0	0.118	6.3	14.0	100 t/m 34 t/ft (α-90°)	Set of inserts, top and bottom, for making offsets. Suitable for use in combination with holders HU-001, 005, 006, 801 and 805.
INZU-002/Z3.5/1	515			3.5	0.138	6.3	14.0		
INZU-002/Z4/1	515			4.0	0.157	6.3	14.0		
INZU-002/Z4.5/1	515			4.5	0.177	6.3	14.0		
INZU-002/Z5/1	515			5.0	0.197	6.3	14.0		
INZU-002/Z5.5/1	515			5.5	0.217	6.3	14.0		
INZU-002/Z6/1	515			6.0	0.236	6.3	14.0		
INZU-002/Z6.5/1	515			6.5	0.256	6.3	14.0		
INZU-002/Z7/1	515			7.0	0.276	6.3	13.8		
INZU-002/Z7.5/1	515			7.5	0.295	6.3	13.8		
INZU-002/Z8/1	515			8.0	0.315	6.2	13.8		
INZU-002/Z10/1	515	27	1.063	10.0	0.394	8.5	13.7		
INZU-002/Z13/1	515	32	1.260	13.0	0.512	8.3	18.7		
INZU-002/Z15/1	515	32	1.260	15.0	0.591	8.3	18.7		
INZU-003/1	515			-	-	6.8	15.0		

INZU-005



INZU-006



Type	Length	Weight		Max load
		kg	lbs	
INZU-005/1	515 mm	0.5	1.1	20 t/m 6.7 t/ft

Synthetic inserts for bending material without marking.
To be used in bottom holders type HU-005, 006 and 805 see page 119-120.
Use dependent on material type, thickness, angles and radius size.

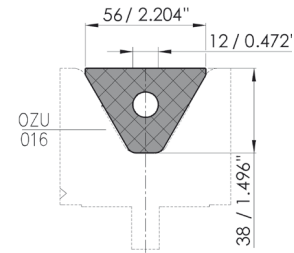
Type	Length	Weight		Max load
		kg	lbs	
INZU-006/1	515 mm	0.5	1.1	20 t/m 6.7 t/ft

Synthetic inserts for bending material without marking.
To be used in bottom holders type HU-005, 006 and 805 see page 119-120.
Use dependent on material type, thickness, angles and radius size.

INZU-007



K-001/5



Type	Length	Weight		Max load
		kg	lbs	
INZU-007/1	515 mm	0.5	1.0	20 t/m 6.7 t/ft

Synthetic inserts for bending material without marking.
To be used in bottom holders type HU-005, 006 and 805 see page 119-120.
Use dependent on material type, thickness, angles and radius size.

Type	Length	Weight		Max load
		kg	lbs	
K-001/5	ca 2100 mm	1.5	3.3	-

Adiprene inserts for bending material without marking. To be used in bottom tools type OZU-016 and OZU-327. Use dependent on material type, thickness, angles and radius size. Available in 85 Shore A and 95 Shore A.

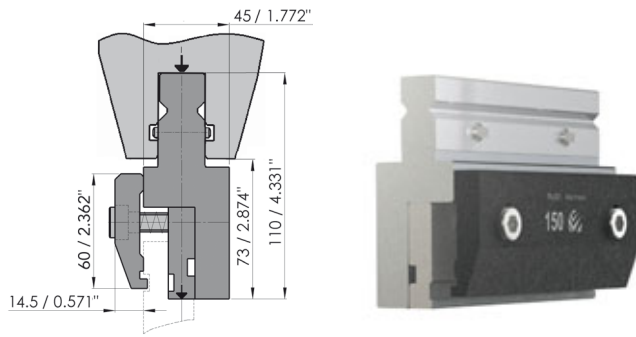
TOOL ADVISOR



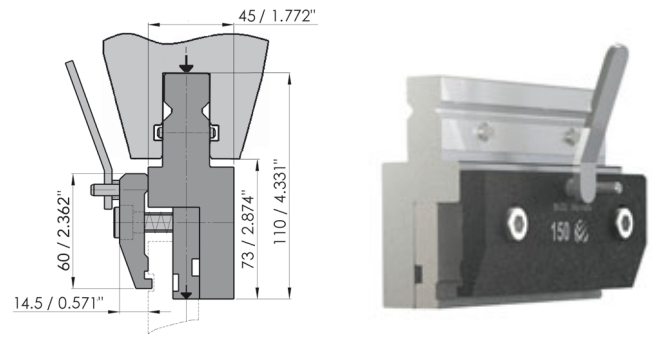
This high-end engineering tool allows you to make a decision online about which press brake tools are best suited to your specific bending needs. If the required tool is unavailable as a standard solution, it is possible to immediately design a special tool and order it via the WILA Webshop.



TSU-020



TSU-021



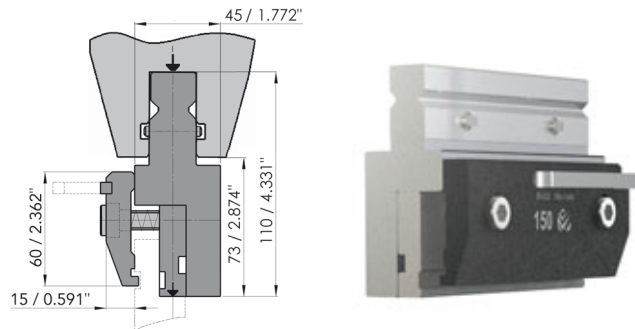
Type	Length	Weight		Max load
		kg	lbs	
TSU-020/1	515 mm	16.2	35.7	100 t/m 34 t/ft
TSU-E2M-020/1	515 mm	16.2	35.7	
TSU-020/4	150 mm	4.8	10.0	

Adapter, New Standard to European or American. Top provided with New Standard adaption and Safety-Pins. Bottom side interchangeable between European Style I and American Style adaptation and with clamping plate type TK-031.

Type	Length	Weight		Max load
		kg	lbs	
TSU-021/1	515 mm	16.2	35.7	100 t/m 34 t/ft
TSU-E2M-021/1	515 mm	16.2	35.7	
TSU-021/4	150 mm	4.8	10.6	

Adapter, New Standard to European or American. Top provided with New Standard adaption and Safety-Pins. Bottom side interchangeable between European Style I and American Style adaptation and with clamping plate type TK-032.

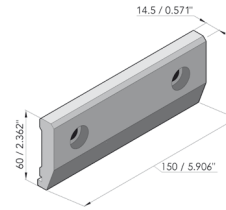
TSU-022



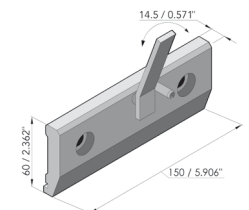
Type	Length	Weight		Max load
		kg	lbs	
TSU-022/1	515 mm	16.2	35.7	100 t/m 34 t/ft
TSU-E2M-022/1	515 mm	16.2	35.7	
TSU-022/4	150 mm	4.8	10.6	

Adapter, New Standard to European or American. Top provided with New Standard adaption and Safety-Pins. Bottom side interchangeable between European Style I and American Style adaptation and with clamping plate type TK-033.

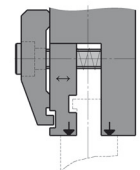
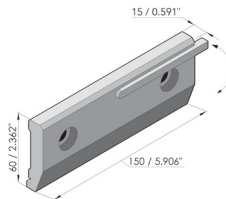
TK-031



TK-032

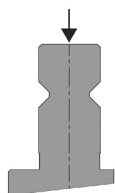


TK-033

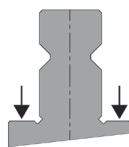


Example, if adapted to American Style adaption.

ADAPTION

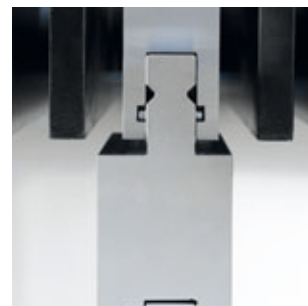


NS I head load



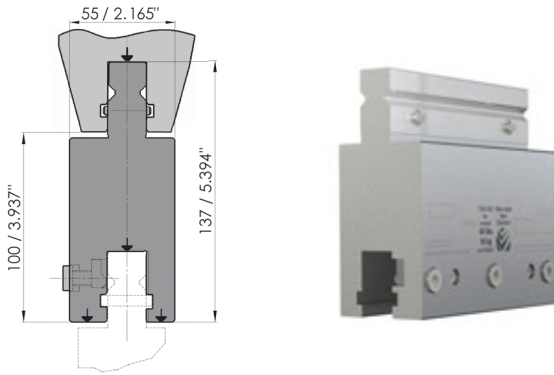
NS II shoulder load

SAFETY-PIN



Tooling with a New Standard adaption and with sections weighing between 12.5-25 kg/28-55 lbs, are equipped with fixed Safety-Pins, allowing for horizontal interchange only.

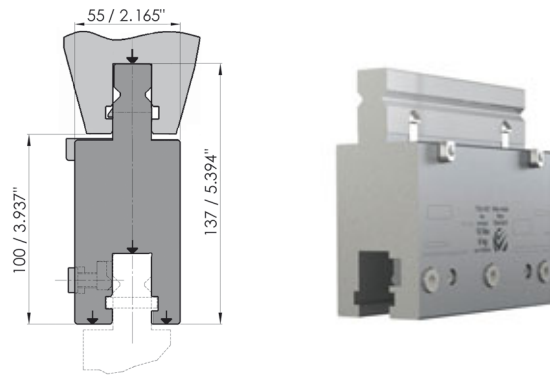
TSU-029



Type	Length	Weight		Max load
		kg	lbs	
TSU-029/1	515 mm	22.2	48.8	100 t/m 34 t/ft
TSU-E2M-029/1	515 mm	22.2	48.8	
TSU-029/4	150 mm	6.6	14.6	

Extender, top and bottom provided with New Standard adaption.
Top side, adaption provided with Safety-Pins. Bottom side with self-seating clamping bar.

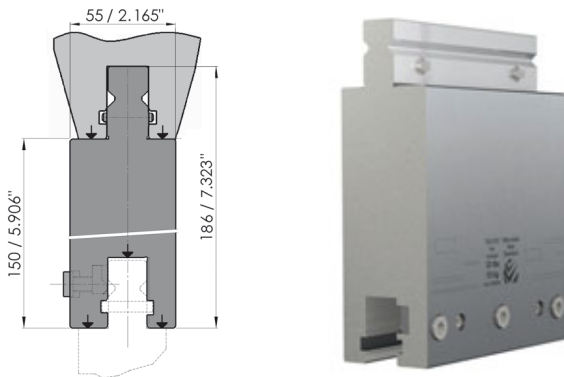
TSU-030



Type	Length	Weight		Max load
		kg	lbs	
TSU-030/4	150 mm	6.6	14.6	100 t/m 34 t/ft

Extender, top and bottom provided with New Standard adaption.
Top side, adaption provided with Safety-Click®. Bottom side with self-seating clamping bar.

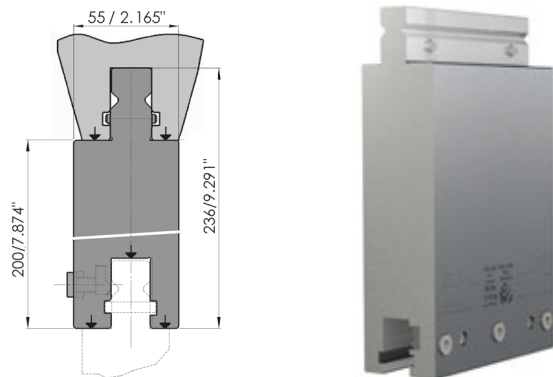
TSU-031



Type	Length	Weight		Max load
		kg	lbs	
TSU-031/4	150 mm	9.9	21.8	180 t/m 61 t/ft

Extender, top and bottom provided with New Standard adaption.
Top side, adaption provided with Safety-Pins. Bottom side with self-seating clamping bar.
Other heights available on request.

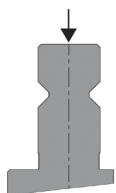
TSU-032



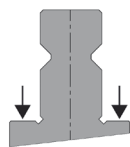
Type	Length	Weight		Max load
		kg	lbs	
TSU-032/4	150 mm	13.2	29.1	180 t/m 61 t/ft

Extender, top and bottom provided with New Standard adaption.
Top side, adaption provided with Safety-Pins. Bottom side with self-seating clamping bar.
Other heights available on request.

ADAPTION



NS I head load



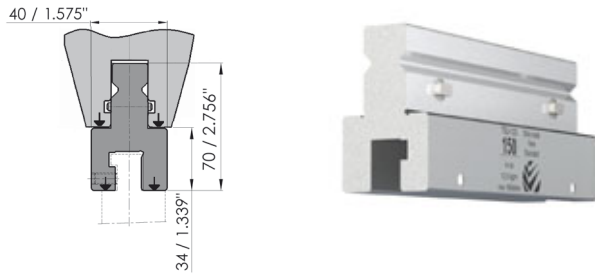
NS II shoulder load

EXTENDERS



Extenders are used between the press brake's upper Clamping (or Tool Holder) and the top tool. Often they are used to heighten the top configuration, making it possible to bend deep boxes. These extenders are supplied as modules in lengths of 150 mm/5.91" and 515 mm/20.28". They are produced with extremely high precision, guaranteeing their interchangeability.

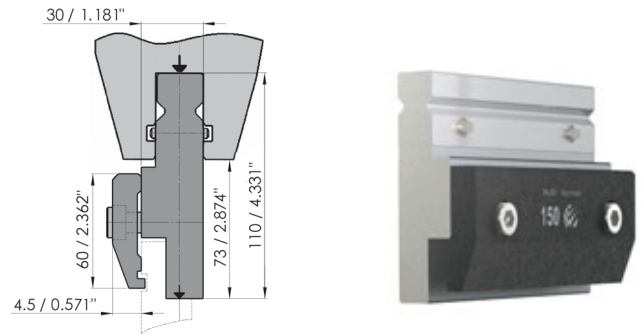
TSU-123



Type	Length	Weight		Max load
		kg	lbs	
TSU-123/1	515 mm	7.0	15.4	160 t/m 54 t/ft
TSU-123/4	150 mm	2.0	4.4	

Adapter, New Standard to American Style. Top provided with New Standard adaption and Safety-Pins. Bottom provided with American Style I adaptation and 1 clamping screw every 100 mm.

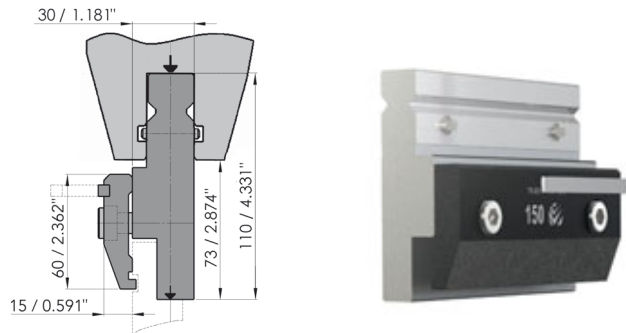
TSU-024



Type	Length	Weight		Max load
		kg	lbs	
TSU-024/1	515 mm	12.9	28.4	100 t/m 34 t/ft
TSU-E2M-024/1	515 mm	12.9	28.4	
TSU-024/4	150 mm	3.9	8.5	

Adapter, New Standard to European Style. Top provided with New Standard adaption and Safety-Pins. Bottom provided with European Style I adaptation and with clamping plate type TK-031.

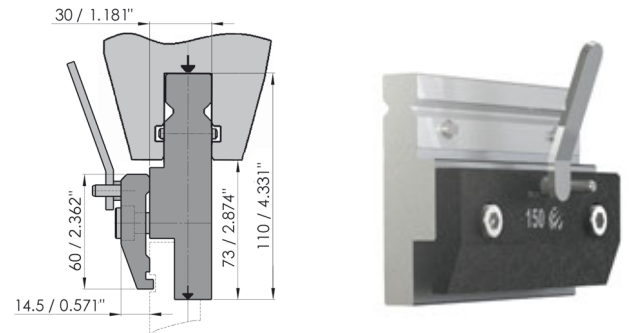
TSU-025



Type	Length	Weight		Max load
		kg	lbs	
TSU-025/1	515 mm	12.9	28.4	100 t/m 34 t/ft
TSU-E2M-025/1	515 mm	12.9	28.4	
TSU-025/4	150 mm	3.9	8.5	

Adapter, New Standard to European Style. Top provided with New Standard adaption and Safety-Pins. Bottom provided with European Style I adaptation and with clamping plate type TK-033.

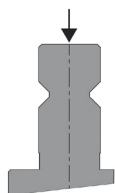
TSU-026



Type	Length	Weight		Max load
		kg	lbs	
TSU-026/1	515 mm	12.9	28.4	100 t/m 34 t/ft
TSU-E2M-026/1	515 mm	12.9	28.4	
TSU-026/4	150 mm	3.9	8.5	

Adapter, New Standard to European Style. Top provided with New Standard adaption and Safety-Pins. Bottom provided with European Style I adaptation and with clamping plate type TK-032.

ADAPTION



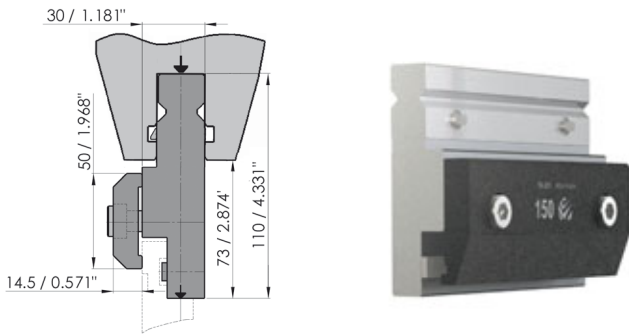
NS I head load

ADAPTERS



Adapters are used between the press brake's Clamping (or Tool Holder) and the top tool. Often they are used as an accessory to make the transition from one tool system to another. These adapters are supplied as modules in lengths of 150 mm/5.91" and 515 mm/20.28". They are produced with extremely high precision, guaranteeing their interchangeability.

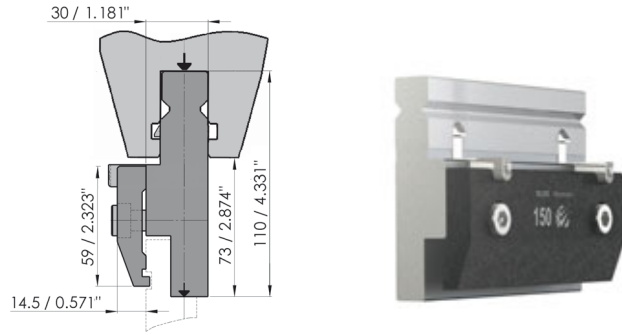
TSU-027



Type	Length	Weight		Max load
		kg	lbs	
TSU-027/1	515 mm	12.6	27.7	100 t/m 34 t/ft
TSU-E2M-027/1	515 mm	12.6	27.7	
TSU-027/4	150 mm	4.8	10.5	

Adapter, top provided with New Standard adaption and Safety-Pins. Bottom provided with European Style I adaptation with extra safety-slot, and with clamping plate type TK-034.

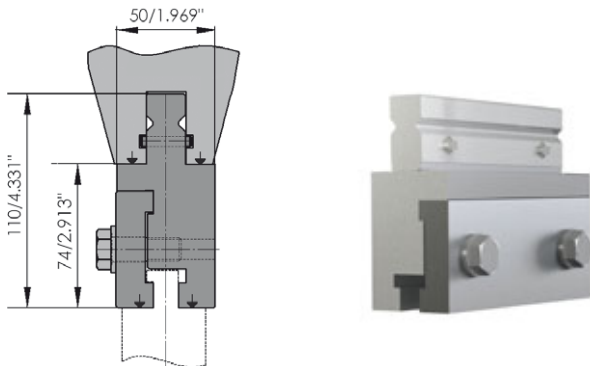
TSU-028



Type	Length	Weight		Max load
		kg	lbs	
TSU-028/4	150 mm	6.6	14.6	100 t/m 34 t/ft

Adapter, New Standard to European Style. Top provided with New Standard adaption and Safety-Clicks®. Bottom provided European Style I adaption and with clamping plate type TK-035

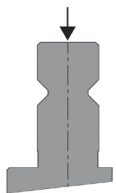
TSU-033



Type	Length	Weight		Max load
		kg	lbs	
TSU-033/1	515 mm	17.3	38.1	250 t/m 84 t/ft
TSU-E2M-033/1	515 mm	17.3	38.1	

Adapter New Standard to American Style. Top provided with New Standard adaption and Safety-Pins. Bottom side with clamping plate.

ADAPTION



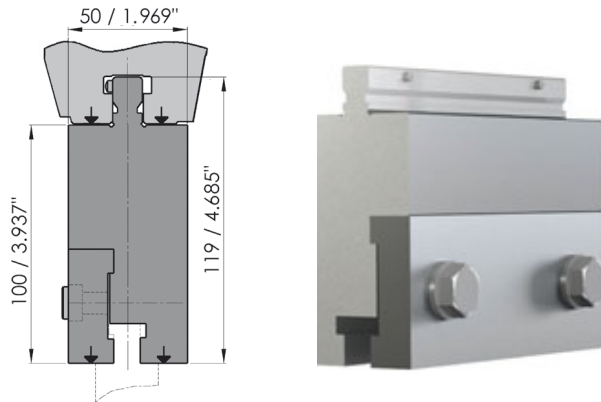
NS I head load

E2M® SAFETY ROLLER BEARING: TOP



E2M® top tools are provided with bearing safety pins in the adaption of the tool. Applicable for: head and shoulder load top tools with a minimum tool length of 100mm/3.397". Tool weight should be between 12.5kg/28lbs and 100kg/220lbs.

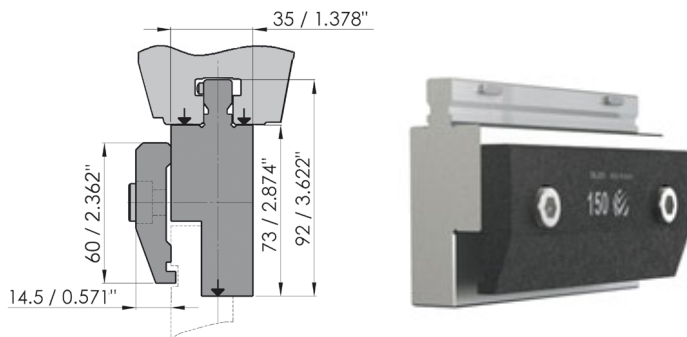
TS-802



Type	Length	Weight		Max load
		kg/m	lbs/ft	
TS-802	Machine length	39.8	27.0	100 t/m 34 t/ft

Extender, American Style to American Style. Top provided with American Style II adaption and Safety-Pins. Bottom with American Style I adaptation and clamping plate. Made to order.

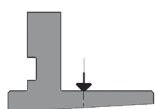
TS-804



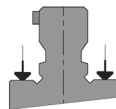
Type	Length	Weight		Max load
		kg/m	lbs	
TS-804	Machine length	29.7	20.0	100 t/m 34 t/ft

Adapter, American Style to European Style. Top provided with American Style II adaption and Safety-Pins. Bottom provided with European Style I adaptation and clamping plate TK-031. Made to order.

ADAPTION



ES I shoulder load



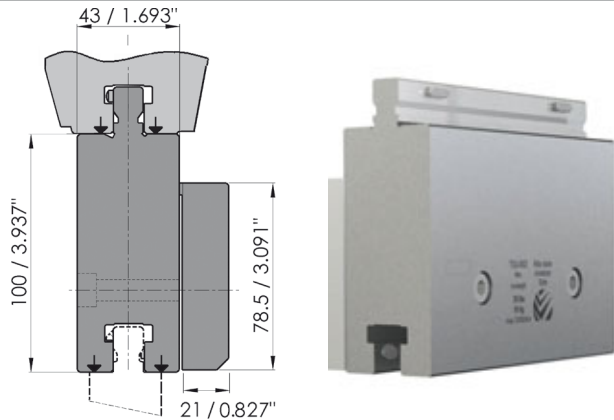
AS II shoulder load

TOOL ADVISOR



This high-end engineering tool allows you to make a decision online about which press brake tools are best suited to your specific bending needs. If the required tool is unavailable as a standard solution, it is possible to immediately design a special tool and order it via the WILA Webshop.

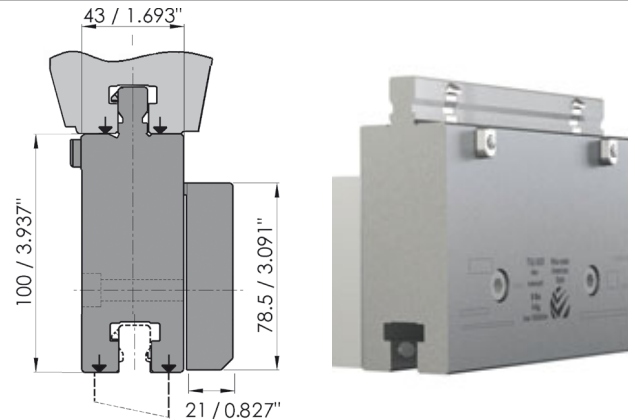
TSU-802



Type	Length	Weight		Max load
		kg/m	lbs/ft	
TSU-802/1	515 mm	21.1	14.2	100 t/m 34 t/ft
TSU-802/4	152 mm	6.2	4.2	

Extender, American Style to American Style. Top provided with American Style II adaption and Safety-Pins. Bottom with clamping bar for self-seating of top tools with American Style II tang. Working height 100 mm/3.937".

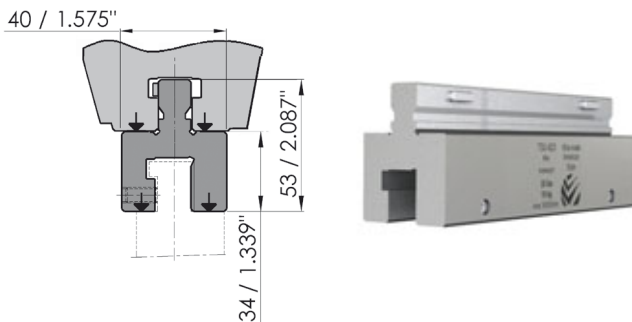
TSU-803



Type	Length	Weight		Max load
		kg/m	lbs/ft	
TSU-803/4	152 mm	6.2	4.2	100 t/m 34 t/ft

Extender, American Style to American Style. Top provided with American Style II adaption and Safety-Clicks®. Bottom with clamping bar for self-seating of top tools with American Style II tang. Working height 100 mm/3.937".

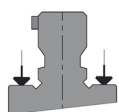
TSU-823



Type	Length	Weight		Max load
		kg/m	lbs/ft	
TSU-823/1	515 mm	5.2	3.5	160 t/m 54 t/ft
TSU-823/4	152 mm	1.5	1.0	

Extender, American Style to American Style. Top provided with American Style II adaption and Safety-Clicks®. Bottom with clamping bar for self-seating of top tools with American Style II tang. Working height 34 mm/1.339".

ADAPTION



AS II shoulder load

EXTENDERS



Extenders are used between the press brake's upper Clamping (or Tool Holder) and the top tool. Often they are used to heighten the top configuration, making it possible to bend deep boxes. These extenders are supplied as modules in lengths of 150 mm/5.91" and 515 mm/20.28". They are produced with extremely high precision, guaranteeing their interchangeability.

COMPONENTS

Comprehensive range of accessories

Our extensive assortment of accessories for press brakes and tools helps to maximize flexibility and extend their capabilities. WILA accessories are compatible with our New Standard Tooling and New Standard Tool Holders. From non-marking protective cloth to efficient Tool Storage Systems WILA has everything you need.



Hydraulic Power Pack HM10 and HM11 type H-R (with remote control).

Hydraulic Power Pack HM10 and HM11 type H (Manual operation) or C (linked to the CNC control).

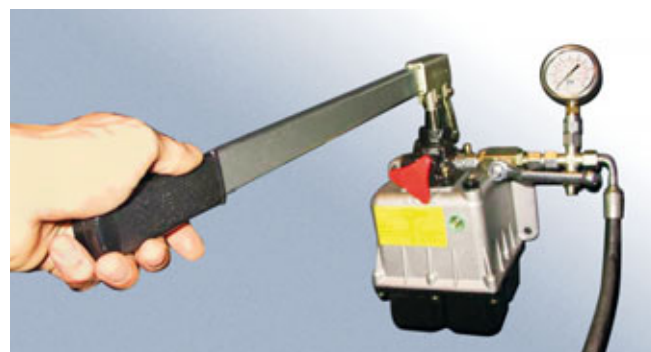
COMPONENTS

HYDRAULIC POWER PACK FOR USE IN COMBINATION WITH CLAMPING, CROWNING, BOTTOM TOOL HOLDERS & (A3) CLAMPING BARS.

Type	Features
HM10-400-H	Manual operation ¹ , 400V-50Hz-3ph
HM10-400-H-R	Manual operation ² , 400V-50Hz-3ph
HM10-400-C	Linked to the CNC control, 400V-50Hz-3ph
HM11-460/230-H dual voltage	Manual operation ¹ , 230/460V-60Hz-3ph, supplied at 460V
HM11-460/230-H-R dual voltage	Manual operation ² , 230/460V-60Hz-3ph, supplied at 460V
HM11-230/460-H dual voltage	Manual operation ¹ , 230/460V-60Hz-3ph, supplied at 230V
HM11-230/460-H-R dual voltage	Manual operation ² , 230/460V-60Hz-3ph, supplied at 230V
HM12-460/230 dual voltage	Fully integratable in the press brake ³ , valve 24 V supplied at 460V
HM13-400	Fully integratable in the press brake ³ , valve 24 V
Manual pump	Manual operation with hand lever and relief valve
Extra hydraulic hose	Hose L=2.5 m equipped with straight fitting and fitting for extra hose

Comments.

- ¹) Operation via push button on the Power Pack
- ²) Comes with a remote control.
- ³) Only for press brake manufacturers
- All Hydraulic Power Packs have a Ø10 connection and are supplied with one hose measuring 2.5 meters.
- All Hydraulic Power Packs with dual voltage have been specially developed for the North American market.



Manual pump.

PRESS BRAKE PRODUCTIVITY CABINETS®

In order to be able to store tools in an organized and safe way, WILA has put on the market its Press Brake Productivity Cabinet.



COMPONENTS

DRAWER SAFETY LOCK



All drawers are provided with an additional locking device to ensure that the drawer never can be opened by itself.

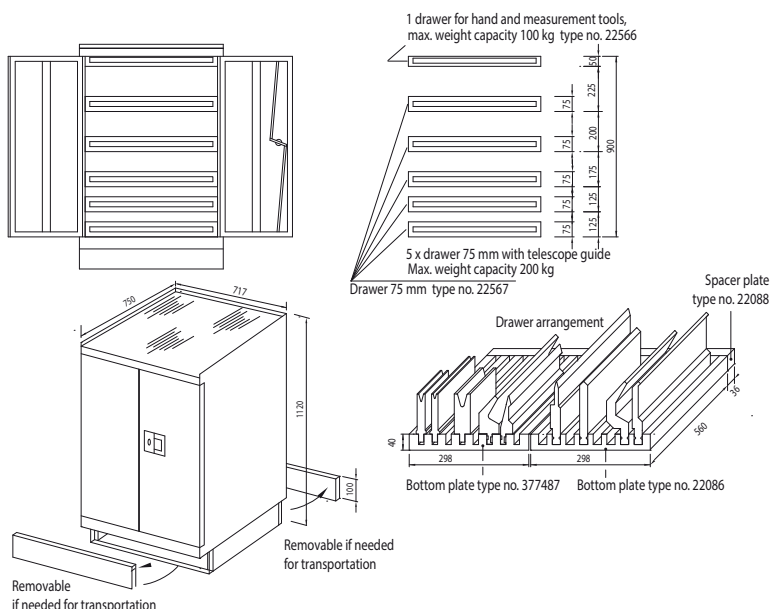
These tool cabinets are delivered standard with:

- 1 shallow drawer, weight capacity of 100 kg/224 lbs, to store measuring tools etc.
- A base with removable kick plates front and back to allow for easy movement with fork-lift or pallet truck.
- A tilting guard, so that only 1 drawer at a time can be opened.
- Lockable doors.
- All drawers are provided with an additional locking device.
- A black rubber mat on top.
- 5 drawers with perforated bottom, weight capacity of 200 kg/448 lbs each. The distance between the drawers can be adjusted easily in steps of about 25 mm/1".
- The arrangement of the tool drawers can be adjusted according to the height of the tools to be stored.
- Each drawer has two bottom plates made from practically indestructible nylon with milled slots designed especially to hold vertically all WILA tools according to their adaption widths.

Each drawer also includes one nylon spacer plate.

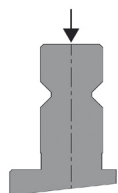
- WILA has 3 bottom plates in the program.
 - Bottom plate type no. 377487 suitable for the OZU lower tools of the complete New Standard program, and the BIU top tools of the American Style and American Vintage programs with AS II adaption.
 - Bottom plate type no. 22086 suitable for the BIU top tools of the complete New Standard program.
 - Bottom plate type 22084 suitable for American Style top tools with AS I adaption.
 - Drawers, bottom and spacer plates (type no. 22088) can be delivered separately.

WILA has more cabinet arrangements available, more information can be received upon request.

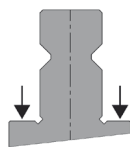


COMPONENTS

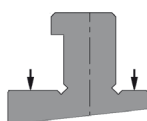
USABLE FOR TOOLS WITH ADAPTION



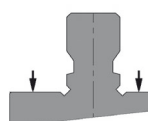
NS I head load



NS II shoulder load



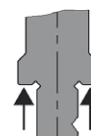
AS I shoulder load



AS II shoulder load



NS V shoulder load



NS VI shoulder load with V-Lock®

PRESS BRAKE PRODUCTIVITY TOOLSTATION[®]

The Press Brake Productivity ToolStation has been specifically designed to safely change and store (heavy) New Standard tooling. Tool changing and storage operates on its best, when using upper and lower tools, equipped with WILA's E2M[®] bearing system. The loading arm, on which the required tools are rolled back and forth, is attached to a (heavy duty) guide rail. This creates a very stiff and stable transfer arrangement that ensures perfect alignment between the loading arm and the upper and lower tools. This guarantees safety and convenience when moving the tooling from the loading arm into the press brake.

Due to required safety and construction modifications to the press brake it is only possible to order a ToolStation via a press brake manufacturer.

COMPONENTS



Each upper Tool Holder, used in combination with a Press Brake Productivity ToolStation, requires a dedicated guard with a safety mechanism for safe loading and unloading of the top tools (with E2M[®]). The movable load/unload arm will lock and unlock the guard.



Each lower Tool Holder, used in combination with a Press Brake Productivity ToolStation, requires a dedicated guard with a safety mechanism for safe loading and unloading of the bottom tools (with E2M[®]). The movable load/unload arm will lock and unlock the guard.



STANDARD
ToolStation with 1 load/unload arm (left or right)
Dimensions approx 2500 mm x 1500 mm
Height of load surface for dies is adjustable between 940 mm and 1065 mm
Daylight opening 490 mm/25.591"
Guards to suit WILA made New Standard Premium HC Tool Holders
Storage capacity 12 meters of punches and dies
Upper storage and load/unload arm equipped to support E2M® centric and eccentric
Max. weight on load/unload arm 250 kg/560 lbs (100 top and 150 bottom)
Loading and unloading possible at all storage positions
Storage area achievable from 3 sides
Usable for tools with max. wide 300 mm (centric against centerline)
Color 'WILA black'
OPTIONAL
Other daylight openings
2 drawers in front of ToolStation to load extra tooling (max. load 200 kg/448 lbs each)
Support rail under load/unload arm
ToolStation modules with different dimensions
Color according customers request



ToolStation comes equipped for 'Gooseneck' shaped New Standard top tools with extra side adjustment making it extremely easy and safe to exchange.



All ToolStations are equipped for New Standard top tools (with E2M®) making it extremely easy and safe to exchange.



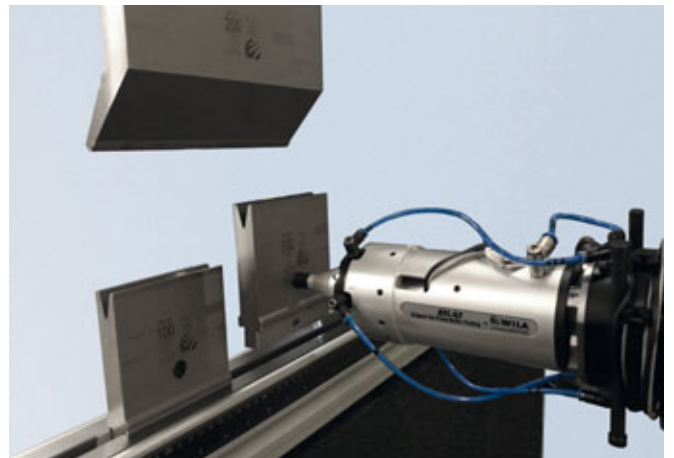
All ToolStations are equipped for New Standard bottom tools (with E2M®) making it extremely easy and safe to exchange.

AUTOMATIC TOOL CHANGE (ATC) GRIPPER[®]

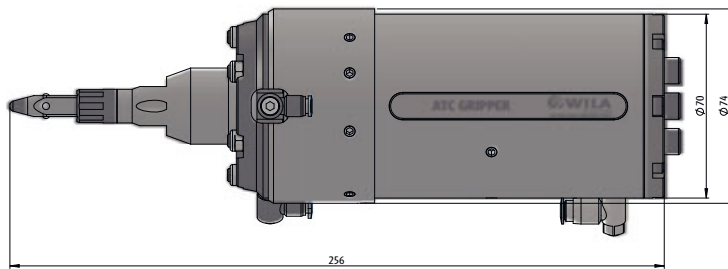
With the WILA Gripper, it is possible for robotic press brakes to bend small batches of various products in random order fully automatically. Now bending on demand has been made possible.



With automatic tool changes, the tool set-ups in your press brake are no longer the limiting factor in the variety of parts that can be formed entirely unmanned. The robot can change the part manipulator to the ATC Gripper, to be able to change tools quickly and efficient. The ATC Gripper can only handle special WILA ATC tooling (optionally executed with a TIPS ID-tag).

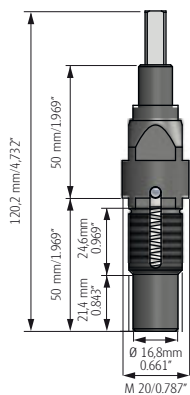


ATC GRIPPER



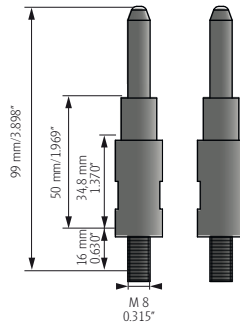
Allow automatic loading and unloading of all current models of our New Standard tooling program executed with ATC Adaptor

DOCKING STATION



Holds current models of our New Standard tooling program executed with ATC Adaptor up to 100 mm.

SET DOCKING PINS



Set of 2 Docking Pins. Holds current models of our New Standard tooling program executed with ATC Adaptor \geq 100 mm.

ATC-ADAPTOR BIU



New Standard top tools (BIU) with lengths from 20-255 mm/0.787"-10.039", when equipped with this ATC-Adaptor, can be automatically loaded and unloaded by the ATC-G7 Gripper. In this case the ATC-G7 Gripper will operate the Safety-Click®! Max tool weight is 12,5 kg/27.6 lbs Adaptor can be placed in new and existing BIU top tools.

ATC-ADAPTOR OZU

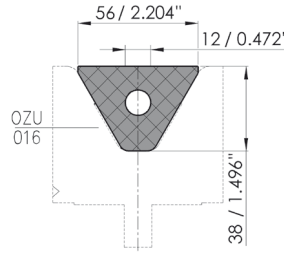


New Standard bottom tools (OZU) with lengths from 20-255 mm/0.787"-10.039", when equipped with this ATC-Adaptor, can be automatically loaded and unloaded by the ATC-G7 gripper. Max tool weight is 12,5 kg/27.6 lbs. Adaptor can be placed in new and existing OZU bottom tools.

ATC GRIPPER

Specifications	
Size	\emptyset 74 * 256 mm / 2.913" * 10.079"
Weight	2,6 kg / 5.7 lbs
Max. tool weight	12,5 kg / 27.6 lbs
Min. - max. tool length	20 - 255 mm / 0.787" - 10.039"
Tool shapes	handles the WILA New Standard ATC top and bottom tools

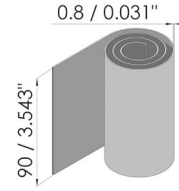
K-001/5



Type	Length	Weight		Max load
		kg	lbs	
K-001/5	ca 2100 mm	1.5	3.3	-

Adiprene inserts for bending material without marking. To be used in bottom tools type OZU-016. Use dependent on material type, thickness, angles and radius size. Available in 85 Shore A and 95 Shore A.

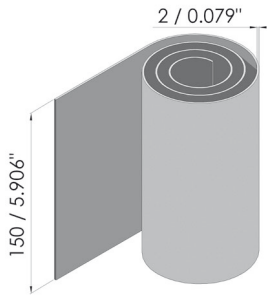
K-003



Type	Length	Weight		Max load
		kg	lbs	
K-003	unlimited	-	-	-

Protective foil for bending material without marking. Use dependent on material type, thickness, angles, radius size and bending method.

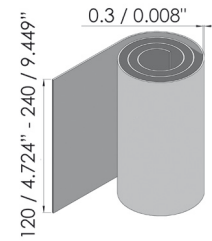
K-004



Type	Length	Weight		Max load
		kg	lbs	
K-004	unlimited	-	-	-

Protective foil for bending material without marking. Use dependent on material type, thickness, angles, radius size and bending method.

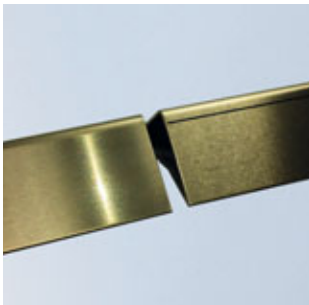
K-005



Type	Length	Weight		Max load
		kg	lbs	
K-005/120	unlimited	-	-	-
K-005/240	unlimited	-	-	-

Protective Cloth for bending material without marking. Use dependent on material type, thickness, angles, radius size and bending method.

USE OF FOIL OR CLOTH TO AVOID MARKING

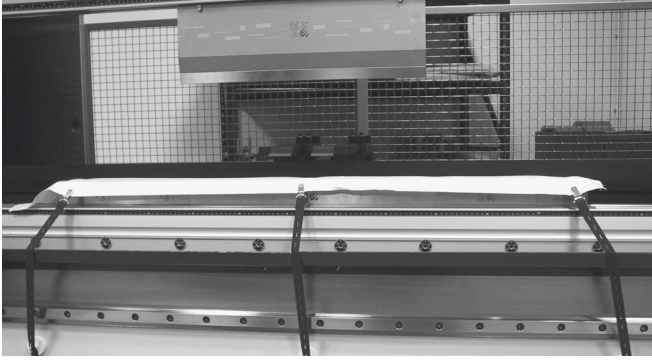


Foil or cloth can help to avoid marking on your part.

Advantage:

- No scratches, therefore no post-processing necessary.
- Time and cost savings.

CLAMPING SYSTEM FOR K-003/4/5



Set
Clamping set
Clamping system for protective foil/cloth K-003/K-004/K-005. 1 set consists of 6 magnets and 6 straps.

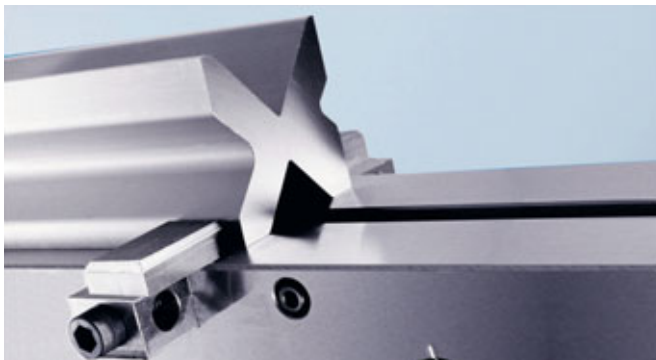
D(1+2)



Type	Length	Weight	
		kg	lbs
D1	510 mm	1.2	2.6
D2	510 mm	0.6	1.3

Makes the crowning with Manual Clamping suitable for European Style bottom tools with a width of 60 mm. One set includes one bar of D1/D2.

4-WAY DIE CLAMP SET



Set	Weight	
	kg	lbs
4-way die clamp set	1.5	3.3

Makes the crowning suitable for 4-ways dies with block size 2 3/4"; 3 1/4"; 3 3/4"; 4 1/4". One set includes 8 clamps.

COMPONENTS

PRESS BRAKE PRODUCTIVITY WAX



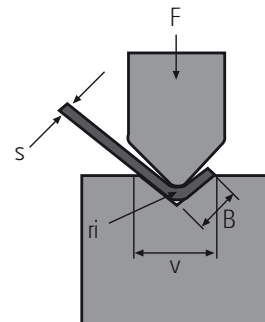
Press Brake Productivity Wax is a spray that has been specially developed for cleaning, maintaining and protecting WILA tools.

Required press force at 90° air bending, force in t/m.

The charts below give the appropriate tonnage to air bend mild steel.

Bending force for other metals:

- Soft aluminium : Tons per unit length x 50%
- Aluminum alloys heat treated : Tons per unit length x 100%
- Stainless : Tons per unit length x 150%
- Bottoming : Tonnage requirements are three to five times greater than for air bending.



F = Tons per meter of workpiece
 s = Material thickness
 ri = Inside radius of formed part
 v = V-die opening
 B = Minimum flange

Metric

V (mm)	4	6	8	10	12	16	20	24	30	40	50	60	80	100	120	160
V (inch)	0.157"	0.236"	0.315"	0.394"	0.472"	0.630"	0.787"	0.945"	1.181"	1.575"	1.969"	2.362"	3.150"	3.937"	4.724"	6.299"
B (outside mm)	2.8	4.2	5.6	7	8.6	11.5	14.4	17	21	29	36	42.4	56.5	71	85	114
ri (mm)	0.6	1	1.2	1.5	1.8	2.4	3	3.6	4.5	6	7.5	9	12	15	18	24

Material Thickness
mm

0.5	4	2															
1		10	8	5.5	4.5												
1.2		16	12	9	7												
1.5			20	14	11	8	6										
2					22	15	11	9.5									
2.5						25	19	15	11								
3							28	22	17	12							
4								44	33	22.5	17						
5									55	37	29	22					
6										58	42	34					
8											83	65	45	35			
10												110	75	57	45		
12													116	85	68		
14														121	91	68	
15														143	112	79	
16														168	131	90	
18															172	119	
20																222	150
25																	254

Inch

V (mm)	6.4	9.5	12.7	15.9	19.05	22.2	25.4	28.6	31.8	38.1	50.8	63.5	80	100	120	160
V (inch)	0.250"	0.375"	0.500"	0.625"	0.750"	0.875"	1.000"	1.125"	1.250"	1.500"	2.000"	2.500"	3.150"	3.937"	4.724"	6.299"
B (outside inch)	0.167"	0.265"	0.354"	0.442"	0.530"	0.619"	0.707"	0.795"	0.866"	1.06"	1.414"	1.768"	2.224"	2.795"	3.346"	4.488"
ri (inch)	0.038"	0.056"	0.075"	0.094"	0.113"	0.131"	0.150"	0.169"	0.188"	0.225"	0.300"	0.375"	0.472"	0.591"	0.709"	0.945"

Material Thickness
Gauge Inches

20	0.036"	3.2	2.0															
18	0.048"	5.1	3.4	2.7	2.4													
16	0.060"		5.8	4.0	3.1	2.5												
14	0.075"			6.9	5.0	4.0	3.5											
12	0.105"					8.3	6.9	5.6										
11	0.120"						9.9	8.2	7.2	5.4								
10	0.135"						11.9	9.9	7.3	7.1	5.8							
3/16"	0.188"								14.3	14.2	12.2	7.5						
1/4"	0.250"										23.7	16.5	11.4					
5/16"	0.313"											27	19.7					
3/8"	0.375"											42.3	30.9	22.8	16.9			
7/16"	0.438"													32.2	24.3	19.4		
1/2"	0.500"														34.6	27.0	18.3	
5/8"	0.625"															47.1	32.0	
3/4"	0.750"																74.2	50.4
7/8"	0.875"																	73.9
1"	1.000"																	103.0

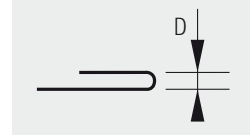
ALL SORTS OF INFORMATION

Mild steel

Rm≈42 KN/cm²
Rm≈55-60.000 PSI



Rm≈42 KN/cm²
Rm≈55-60.000 PSI



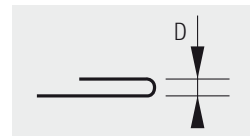
Thickness		Tonnage		D		Tonnage		D	
mm	inches	t/m	US t/ft	mm	inches	t/m	US t/ft	mm	inches
0.6	.024	12	4.0	2.3	.091	20	6.7	1.3	.051
0.8	.031	16	5.4	2.3	.091	30	10.1	1.7	.067
1.0	.039	20	6.7	2.4	.095	30	10.1	2.2	.087
1.2	.047	24	8.1	3.0	.118	40	13.4	2.5	.098
1.5	.059	30	10.1	4.4	.173	50	16.8	3.5	.138
2.0	.079	40	13.6	5.1	.201	60	20.2	4.2	.165
2.5	.098	65	21.8	6.6	.260				
3.0	.118	90	30.2	8.2	.323				

Stainless steel

Rm≈70 KN/cm²
Rm≈100.000 PSI



Rm≈70 KN/cm²
Rm≈100.000 PSI



Thickness		Tonnage		D		Tonnage		D	
mm	inches	t/m	US t/ft	mm	inches	t/m	US t/ft	mm	inches
0.6	.024	20	6.7	2.3	.091	35	11.8	1.3	.051
0.8	.031	27	9.0	2.3	.091	50	16.8	1.7	.067
1.0	.039	34	11.4	2.4	.095	50	16.8	2.2	.087
1.2	.047	40	13.5	3.0	.118	80	26.9	2.5	.098
1.5	.059	50	16.8	4.4	.173	85	28.6	3.5	.138
2.0	.079	90	30.3	5.1	.201	120	40.4	4.7	.185
2.5	.098	110	37.0	8.6	.339				
3.0	.118	125	42.0	10.4	.409				

ALL SORTS OF INFORMATION

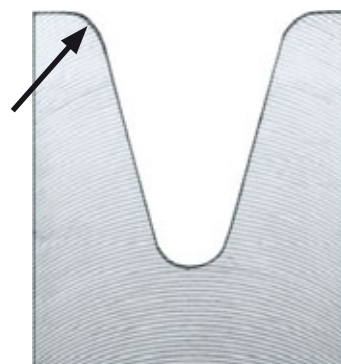
THE COLD HARD TRUTH! CNC-DEEPHARDENING® VERSUS NITRIDE

Due to improvements in quality and durability, press brake tooling is no longer a perishable commodity. When properly cared for and used within the correct range of applications, today's precision ground and hardened press brake tooling can often provide an extremely long usable service life. That is not to say that it will simply last for ten years or more, but rather, it will provide performance that is the same or nearly the same as it did when it was brand new and right out of the box for that long or longer.

This is certainly not true of all press brake tooling. It is true however of high quality precision ground and hardened press brake tooling. As such, when purchasing tooling for a new press brake, today's press brake buyer is now more than ever making a long term decision. And as with any other long term business decision, you'll want to make the decision that will provide you with maximum productivity and the maximum return on your investment.



*Bottom tool with WILA's proprietary
CNC-Deephardenig® process applied.*



*Bottom tool with competitors Nitride
process applied.*

TERMS

Credit: New customers should furnish us with a banking reference and three suppliers references prior to WILA's acceptance of the first order.

Payment: Terms are based on individual agreements per customer or per items. Special order items require a deposit at time of order as specified on the quotation. Prices are in US Dollars FOB Hanover, Maryland, USA.

Packaging: The Pricing includes cost for standard packaging of the goods for transport.

Returns: Prior approval, a WILA RMA number and shipping instructions are required prior to any material return. A handling charge of 20% is made on all standard items returned, as long as the goods are in their original packaging and in as new condition. Special tooling cannot be returned.

Claims: All claims and shortages must be made by e-mail or phone within ten days of invoice date.

DISCLAIMER

No part of this publication may be reproduced and/or published by means of printing, photocopying, microfilm or otherwise, without the prior written permission of WILA.

Although the data recorded in this publication were compiled by the author(s) with the utmost care, WILA accepts no liability whatsoever for any incomplete or inaccurate information which may nonetheless have been included. Our products are constantly improved, which means that the current model may differ from the examples given.

SAFETY WARNING

All WILA standard top tools include a safety device incorporated in the tang. New Standard Premium, New Standard Pro, American Style and American Vintage top tools either have a Safety-Click®, E2M® or fixed (HD) Safety-Pins.

When using top tools and bottom tools on a press brake, a forming system is created which requires analysis to determine the appropriate safe guarding for operator safety and protection. The load ratings of all tooling should be analyzed for the application.

It is the user's responsibility to ensure that the point of operation is effective and all required safety requirements are met.

SERVICE AND SUPPORT

Service and support is a major priority at WILA. Because we want our customers to receive the best possible service, you can contact us by sending an e-mail to requests@wilausa.com or by phoning 443-459-5496. We will be able to further improve our support if you send us the WILA serial number, an accurate description and photos of the issue in question.

SUPPLY OF COMPONENTS

We are able to supply all the original WILA replacement and consumable parts you will require. And we can normally deliver these from stock or very quickly in order to meet your requirements. Naturally, our employees will be pleased to assist you.

USER MANUALS

WILA will supply a 'Quick Start guide' with each product you purchase, which features instructions for using all our products. This 'Quick Start guide' can also be downloaded from our website in various languages. Our products are also accompanied by an English user manual, which provides detailed information about the most effective way to use our products. You can request these user manuals by sending an e-mail to requests@wilausa.com or you can download them from our brand portal.

WILA. THE PRESS BRAKE PRODUCTIVITY PEOPLE.

WILA fully concentrates on the development of products and solutions to optimize the productivity of your press brake. WILA has been producing clamping and crowning systems as well as tools and accessories to improve set-up times and increase the precision of your press brake for decades. Through close cooperation with the world's leading press brake manufacturers, an extensive and competent distribution network, in-house development, sales and production, WILA is the right partner to fulfill your needs.

WILA USA

7380 Coca Cola Drive

Hanover, MD 21076

Phone: 443-459-5496

Phone sales: 1-888-696-9452

Fax: 443-459-5515

E-mail: info@wilausa.com



ORDER OUR TOOLING ONLINE

Get prices, delivery times and place quotes and orders in just a few clicks using Webshop.
webshop.wilausa.com

www.wilausa.com

 **WILA**
SINCE 1932
THE PRESS BRAKE PRODUCTIVITY PEOPLE